

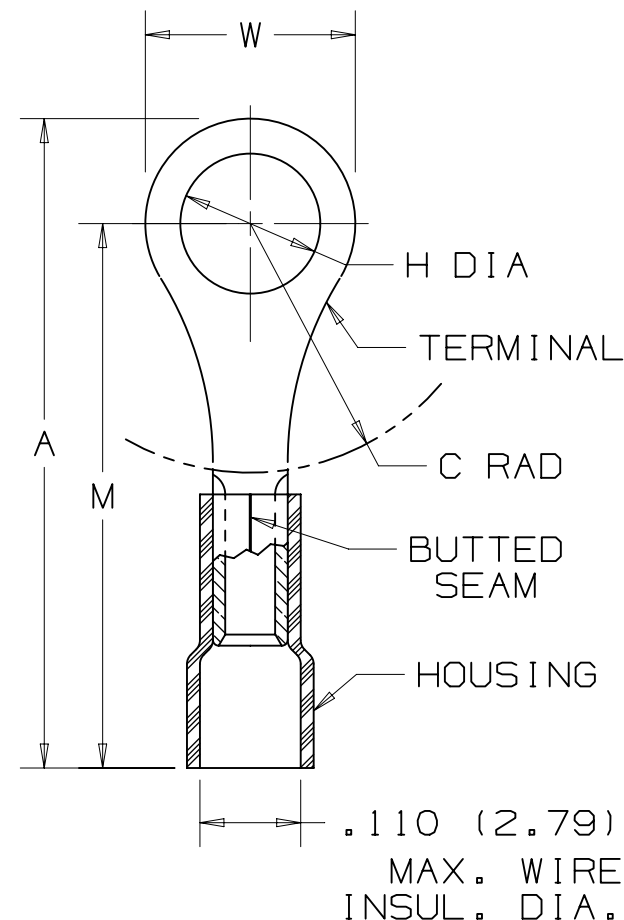
2

1

THIS COPY IS PROVIDED ON A RESTRICTED BASIS AND IS NOT TO BE USED IN ANY WAY DETRIMENTAL TO THE INTERESTS OF PANDUIT CORP.

PANDUIT PART #	STUD SIZE	DIMENSIONS in [mm]				
		A ± .03 [0,8]	W ± .01 [0,3]	C ± .02 [0,51]	M ± .03 [0,8]	H ± .01 [0,3]
PV22-2R	#2	.68 [17,27]	.21 [5,33]	.18 [4,57]	.58 [14,73]	.10 [2,54]
PV22-4R	#4	.68 [17,27]	.21 [5,33]	.18 [4,57]	.58 [14,73]	.12 [3,05]
PV22-6R	#6	.68 [17,27]	.21 [5,33]	.18 [4,57]	.58 [14,73]	.15 [3,81]
PV22-8R	#8	.78 [19,81]	.26 [6,60]	.26 [6,60]	.65 [16,51]	.17 [4,32]
PV22-10R	#10	.78 [19,81]	.32 [8,13]	.24 [6,10]	.62 [15,75]	.20 [5,08]

INSTALLATION TOOLS
CT-520
CT-1525 (A POCKET)
CT-2500 (CT-2525CH: A PKT)



NOTES:

1. RECOMMENDED FOR:

- A. #26-22 AWG SOLID OR STRANDED COPPER WIRE
- B. 221°F [105°C] MAX TEMP. RATING
- C. 600V MAX VOLTAGE RATING

2. MATERIAL:

- A. STAMPING - .02" [0,5] THK COPPER, TIN PLATED
- B. HOUSING - VINYL, YELLOW

3. SEE [www.panduit.com](http://www.panduit.com) FOR PACKAGE QUANTITIES

4. DIMENSIONS IN BRACKETS ARE IN MILLIMETERS

5. WIRE STRIP LENGTH:  $3/16" \begin{matrix} +1/32 \\ -0 \end{matrix}$  [4,8mm  $\begin{matrix} +0,8 \\ -0 \end{matrix}$ ]

TITLE	
<b>RING TERMINAL, VINYL INSULATED #26-22 AWG CUSTOMER DRAWING</b>	
ITEM REVISION NAME	N41230BA/11
DATASET FILE NAME	N41230BA/11
UNLESS OTHERWISE SPECIFIED, DIMENSIONAL TOLERANCES ARE: IN [mm]	
$\begin{matrix} .X \pm \\ .JXX \pm \end{matrix}$ $\begin{matrix} .JXX \pm \\ .AMLES \pm \end{matrix}$	
<b>THIRD ANGLE PROJECTION</b>	
DRAWN BY	DAW
DATE	
CHK	CJH
SCALE	NONE
MATERIAL: SEE NOTES	
DRAWING NUMBER: A41230	
REV	DATE
BY	CHK
APR	
DESCRIPTION	
ECN	
SHT 1 OF 1	
<b>A</b>	

2

1

D10100DA/16