

Product designation				Rotary cam switches	
Product type designation				GX20	
<b>General characteristics</b>					
Switching diagram				12 - Star-delta motor starter switch	
N° of elements				4	
Mounting form				O48 - Modular service cover for 35mm din rail mounting with black handle	
<b>Contact characteristics</b>					
Rated insulation voltage $U_i$	IEC/EN	V	690		
	UL/CSA	V	600		
Rated impulse withstand voltage $U_{imp}$			kV	6	
Conventional free air thermal current $I_{th}$	IEC/EN	A	20		
	UL/CSA	A	15		
Rated operational voltage			V	440	
Rated operational impulse voltage			kV	4	
Maximum fuse size for short-circuit protection $I_n$ (gG)	10kA	A	20		
	15kA	A	20		
	25kA	A	20		
Rated short time current $I_{cw}$			1s	A	
				250	
Conductivity				10/5 mA/V	
Operational current $I_e$ IEC/EN	AC1/AC21A		A	20	
	AC15				
		110V	A	10	
		220/230V	A	8	
		380/400V	A	6	
		660/690V	A	1.5	
Rated operational power in AC	Three-phase AC-3				
			220/230V	kW	3.7
			380/440V	kW	5.5
			500/690V	kW	5.5
	Single-phase AC-3				
			110V	kW	0.75
			220/230V	kW	1.8
			380/440V	kW	3
	Three-phase AC23A				
			220/230V	kW	4
			380/440V	kW	7.5
			500/690V	kW	7.5
Single-phase AC23A					
		110V	kW	0.75	

	220/230V	kW	2.2
	380/440V	kW	3.5
<b>Rated operational current in DC</b>			
DC21A			
	48V	A	20
	60V	A	20
	110V	A	4
	220V	A	0.6
	440V	A	0.25
<b>DC23A (poles in series)</b>			
	24V	A	20 (1)
	48V	A	20 (2)
	60V	A	20 (3)
	110V	A	10 (3)
	220V	A	8 (4)
<b>DC13</b>			
	24V	A	20
	48V	A	16
	60V	A	12
	110V	A	1
	220V	A	0.4
	440V	A	0.15
<b>Power dissipation</b>		W	0.6
<b>Mechanical features</b>			
<b>Terminals screw</b>			M3
<b>Tightening torque for terminals max</b>		Nm	0.8
<b>Conductor size</b>			
AWG - Rigid cable			
	min	AWG	20
	Max	AWG	12
AWG - Flexible cable			
	min	AWG	20
	Max	AWG	12
Conductor size (IEC) - Flexible cable			
	min	mm <sup>2</sup>	0.5
	Max	mm <sup>2</sup>	2.5
Conductor size (IEC) - Rigid cable			
	min	mm <sup>2</sup>	0.5
	Max	mm <sup>2</sup>	2.5
<b>Mechanical life</b>		cycles	1X10 <sup>6</sup>
<b>UL technical data</b>			
<b>Motor power for direct-on-line control</b>			
for three-phase motor			
	120V	HP	1.5
	240V	HP	3
	480V	HP	5
	600V	HP	5
for single-phase motor			
	120V	HP	0.75
	240V	HP	1.5
<b>Ambient conditions</b>			
<b>Temperature</b>			
Operating temperature			
	min	°C	-25

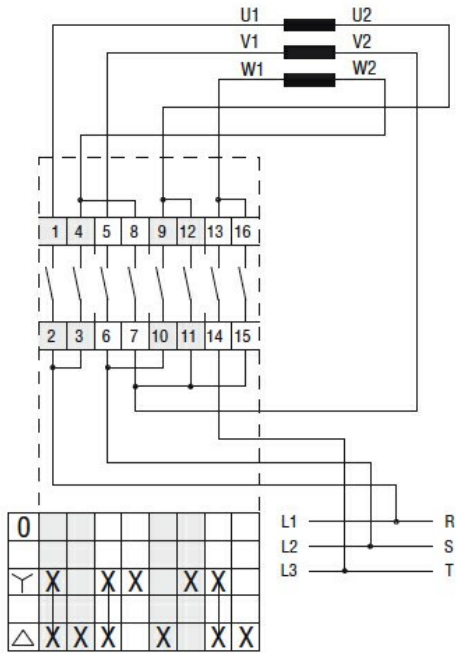
Storage temperature	max	°C	+55
	min	°C	-40
	max	°C	+70

**Resistance & Protection**

Frontal IP degree	IP65
Terminals IP degree	IP20

**Dimensions**

**Wiring diagrams**



**Certifications and compliance**

Compliance

CSA C22.2 n° 14
IEC/EN/BS 60947-1
IEC/EN/BS 60947-3
IEC/EN/BS 60947-5-1
IEC/EN/BS 61058-1
UL60947-4-1

Certificates

cULus
EAC

**ETIM classification**

ETIM 8.0	EC001029 - Selector switch, complete
----------	--