



Product designation

Changeover
contactor
assemblies
BFC

Product type designation

Electrical features

Maximum operating current ($\leq 440V$)

A 140

Contact characteristics

Operational current Ie

AC-1 ($\leq 40^{\circ}C$) A 140

AC-1 ($\leq 55^{\circ}C$) A 115

AC-1 ($\leq 60^{\circ}C$) A 100

Mechanical features

Terminals type

Screw

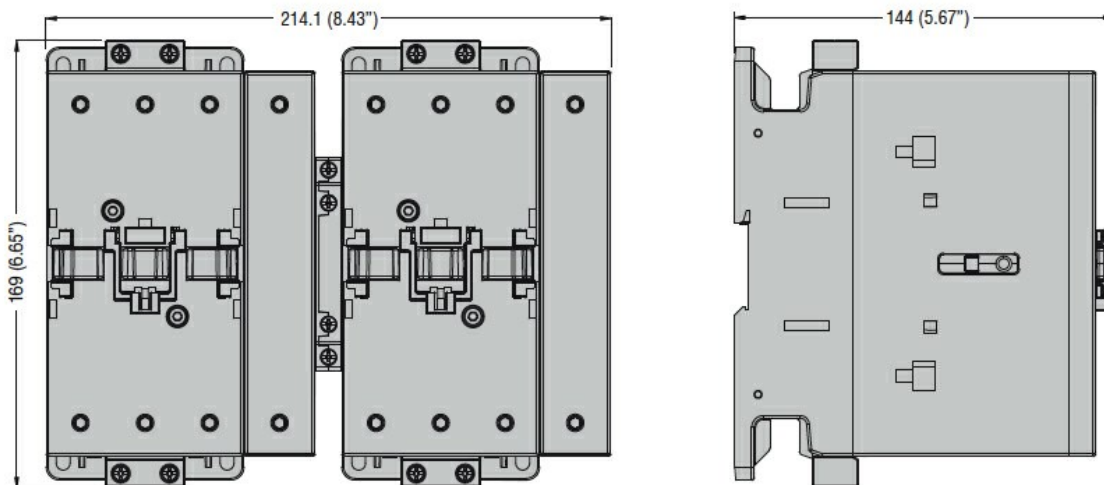
Fixing

Side mount

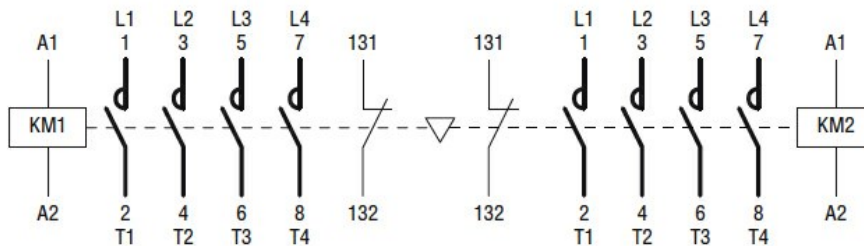
Weight

g 4892

Dimensions



Wiring diagrams



ETIM classification

ETIM 8.0

EC00010 -
Combination of
contactors