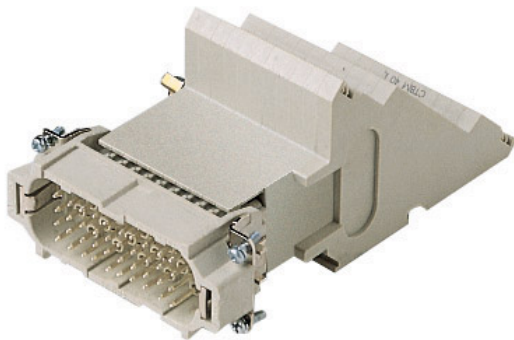



Part number

CTSM 40 R



Male insert, CTS series, spring terminal connection, 40 poles + PE, 10 A 250 V 4 kV 3, size "77.27", with incorporated terminal block, right side mounting

Product description		Material properties	
Product type	Insert	Main material	Polycarbonate (PC)
Series	CTS	Other materials	Contacts: copper alloy
Connection type	Spring terminal connection	Colour	RAL 7032 grey
Gender	Male	RoHs conformity	Compliant with exemption 6(c): copper alloy containing up to 4% lead by weight
N. of poles	40 poles + 	China RoHs - EFUP	50
Size	Size 77.27	REACH SVHC substances	Yes Lead
Specification	Right side mounting With incorporated terminal block	SCIP number	1a9c93ff-0445-4a16-81e3-1609ac5274d6
Technical data		Approvals / Standards	
Current	10 A	Reference standard	EN 61984:2009-06
Voltage	250 V	Certifications	CSAc, CQC, DNV, BV, EAC
Rated impulse withstand voltage	4 kV	UL	ECBT2
Pollution degree	3	General ordering information	
Rated voltage according to UL/CSA	600 V	EAN13 code	8015747041584
Wire cross-section	0,14 mm ² - 2,50 mm ²	eCl@ss 8.1	27440205
AWG size	26 - 14	ETIM 7.0	EC000438
Contact type	Turned silver plated	Packaging Information	
IP degree of protection	IP20 without enclosure, IP66/IP69 with enclosure	Sub-packaging length	145,00 mm
Further technical details		Sub-packaging height	89,00 mm
Characteristics according to EN 61984	10A 250V 4kV 3; 10A 230/400V 4kV 2	Sub-packaging width	90,00 mm
Mating cycles	≥ 500	Sub-packaging weight	0,32 kg
Insulation resistance	≥ 10 GΩ	Sub-packaging volume	1,16 dm ³
Contact resistance	≤ 4 mΩ	Sub-packaging description	Carton box
Weight	320,00 g	Sub-packaging quantity	1 Pcs
Operating temperature range (min, max)	-40 °C ... +125 °C	Sub-packaging EAN barcode	8015747041591
UL 94 flammability rating	V-0		

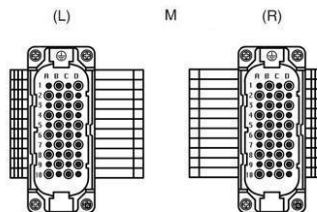
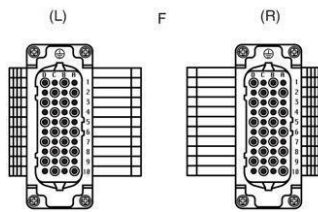
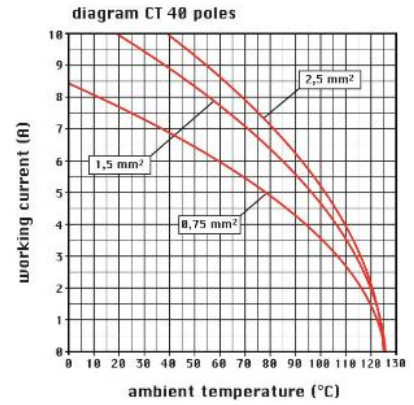
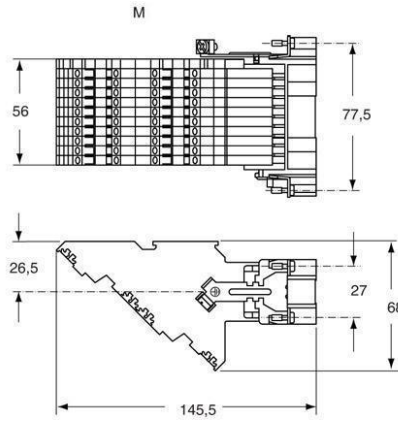
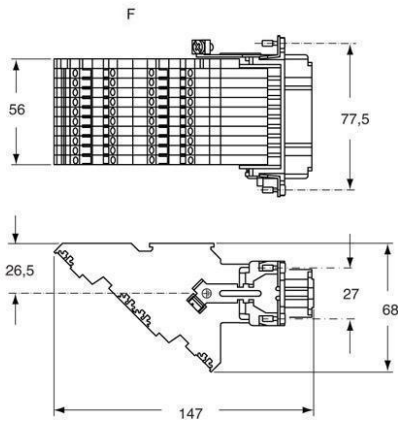
Part number

CTSM 40 R



Catalogue drawings

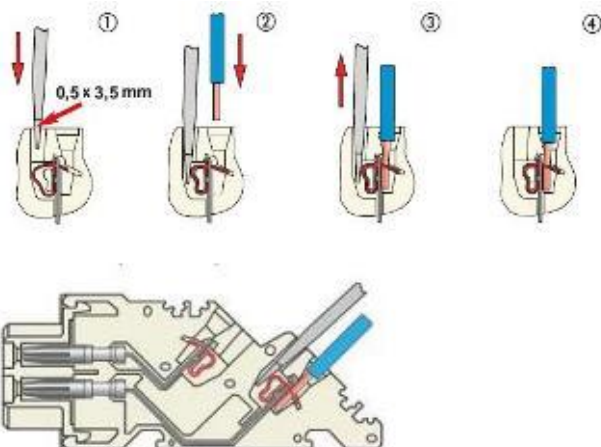
Catalogue drawings



Notes

Dimensions shown in mm are not binding and may be changed without notice.

Spring terminal connection.



California Proposition 65 Information



WARNING

This product can expose you to lead and its compounds, known to the State of California to cause cancer and/or reproductive toxicity. For more information go to www.P65Warnings.ca.gov.

California Proposition 65 Information



WARNING

This product can expose you to lead and its compounds, known to the State of California to cause cancer and/or reproductive toxicity. For more information go to www.P65Warnings.ca.gov.
