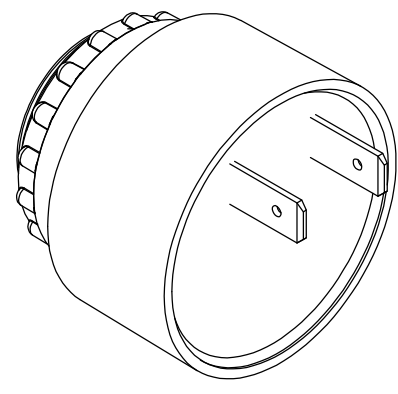
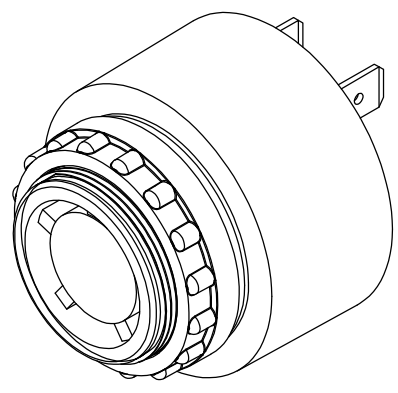
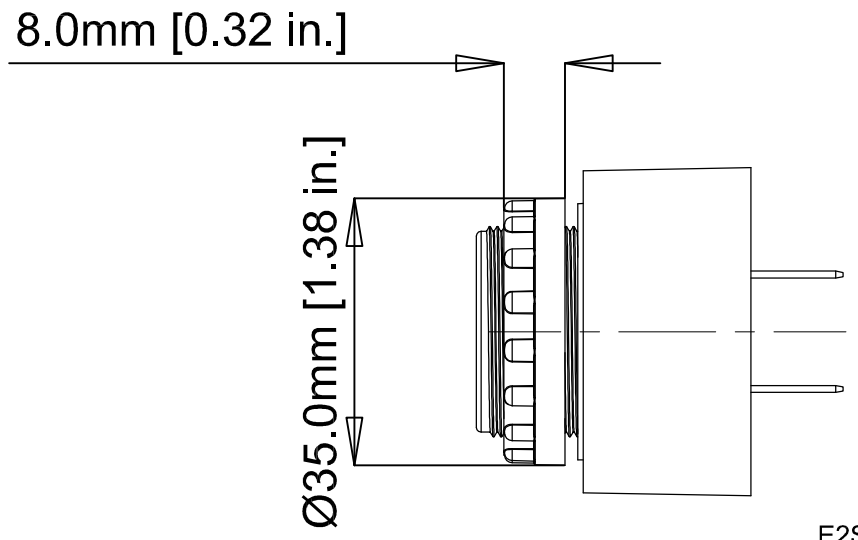
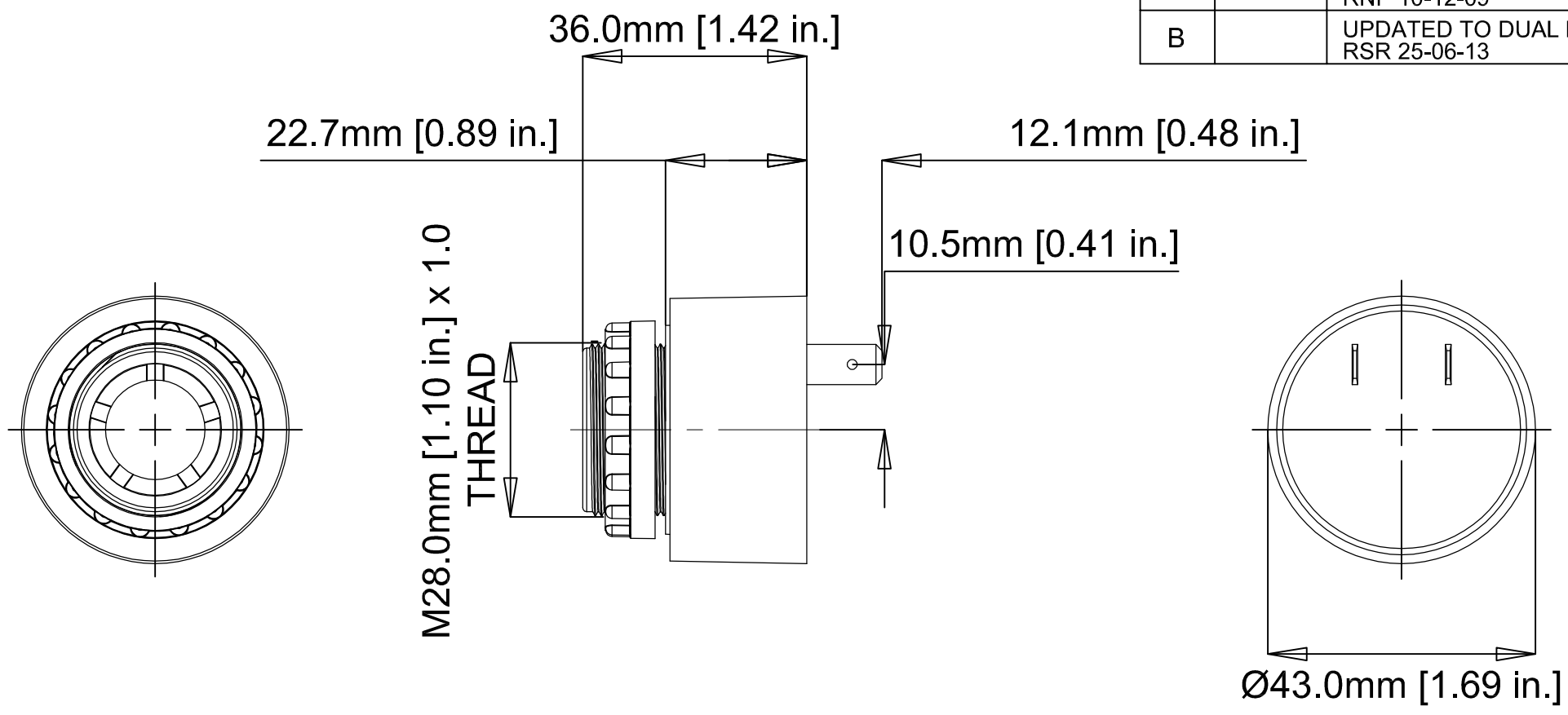


ISSUE	MOD No.	REASON - INITIAL - DATE
A		INTRODUCTION OF PART RNP 10-12-09
B		UPDATED TO DUAL DIMS. RSR 25-06-13



ISOMETRIC VIEW \_ FRONT

ISOMETRIC VIEW \_ REAR

E2S PART NO.	DESCRIPTION	DATA REFERENCE
IS-PA1...	IS-PA1 PANEL MOUNT SOUNDER	1.12.040

WHERE APPLICABLE 'UL' VERSIONS ARE COVERED BY THIS OUTLINE DRAWING.

DRAWING TO BS8888:2000 GEOMETRIC TOLERANCES TO ISO1101:1983 LINEAR DIMENSIONAL TOLS ANGULAR DIMENSIONAL TOLS	
STANDARDS	

DRAWN R.N.POTTS	DATE 10:12:09
CHECKED	DATE
APPROVED	DATE

SURFACE FINISH	WEIGHT (Kg)
MATERIAL SEE ITEM LIST	
ALTERNATIVE MATERIAL	

THIS DRAWING AND ANY INFORMATION OR DESCRIPTIVE MATTER THEREIN IS COMMUNICATED IN CONFIDENCE AND IS THE COPYRIGHT PROPERTY OF EUROPEAN SAFETY SYSTEMS LTD. NEITHER THE WHOLE OR ANY EXTRACT MAY BE DISCLOSED, LOANED, COPIED OR USED FOR MANUFACTURING OR TENDERING PURPOSES WITHOUT THEIR WRITTEN CONSENT.

© EUROPEAN SAFETY SYSTEMS LTD.  
AS PER LATEST DATE OF ISSUE SHOWN ABOVE



ALL DIMENSIONS IN MM IF IN DOUBT, ASK - DO NOT SCALE		A3	
TITLE IS-BUZZER OUTLINE			
SCALE	SHEET	DRAWING NUMBER SK0158	