


22262123	DATA SHEET	
Valid from: 12.09.2019	AB-C4-M12MS-PG7-VA-SKINTOP®	

Product description

Sensor/Actuator connector, straight plug, 4-pos., M12, screw connection, stainless steel, cable screw connection Pg7.



General properties

Ambient temperature	-40 to +100 °C
Protection degree	IP 68 / IP69
Number of contacts	4
Outer diameter, cable	4.0 – 6.5 mm
Termination type	screw connection
Termination cross section, AWG	≤ 20
Termination cross section, mm ²	0.25 – 0.75
Mating cycles	≥ 100

Electrical properties

Rated voltage	250 V
Contact resistance	≤ 3 mΩ
Proof voltage, contact-contact	≥ 1.4 kV
Proof voltage, contact-housing	≥ 1.4 kV
Rated current	4 A
Overvoltage category	II
Pollution degree	3

Materials

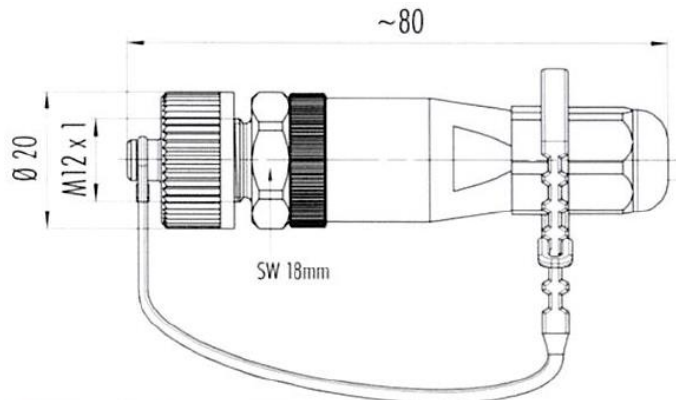
Contact carrier	PA
Contacts, base material	CuZn
Contacts, surface	Au
Locking nut	stainless steel
Grip body	PA
Sealing	NBR / FKM

Standards

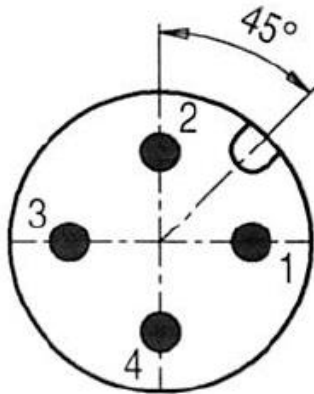
Product standard	M12-Connector acc. to ICE EN 61076-2-101
------------------	------------------------------------------

Creator: MANA2/PDP Released: IVSE1/PDP	Document: DB22262123EN Version: 03	Page 1 of 2
-------------------------------------------	---------------------------------------	-------------

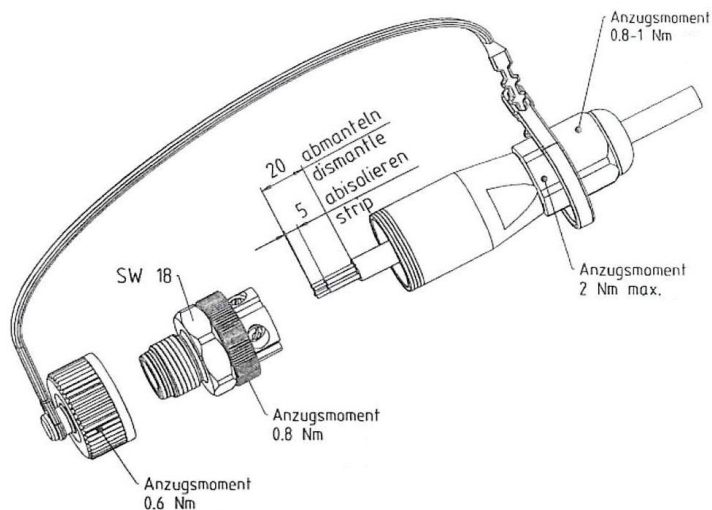
Drawings



Pin assignment



Assembly instruction



Note

Photographs are not true to scale and do not represent detailed images of the respective products.