

Part number

# CQS 08 V



Hood, EMC series, with 2 pegs, Pg21 top cable entry, size "32.13"

#### Product description

<b>Product type</b>	Hood
<b>Series</b>	EMC
<b>Closing type</b>	With 2 pegs
<b>Size</b>	Size "32.13"
<b>Cable entry</b>	Top cable entry Pg21

#### Technical data

**IP degree of protection** IP65 / IP66 / IP69

#### Further technical details

<b>Weight</b>	29,00 g
<b>Operating temperature range (min, max)</b>	-40°C...+125°C

#### Material properties

<b>RoHs conformity</b>	Compliant
<b>China RoHs - EFUP</b>	E
<b>REACH SVHC substances</b>	No

#### Approvals / Standards

<b>Certifications</b>	DNV, BV
<b>UL</b>	ECBT2
<b>cUL</b>	ECBT8

#### General ordering information

**EAN13 code** 8015747095150

#### Packaging Information

<b>Sub-packaging weight</b>	0,03 kg
<b>Sub-packaging description</b>	Plastic bag
<b>Sub-packaging quantity</b>	1 Pcs
<b>Sub-packaging EAN barcode</b>	8015747095167

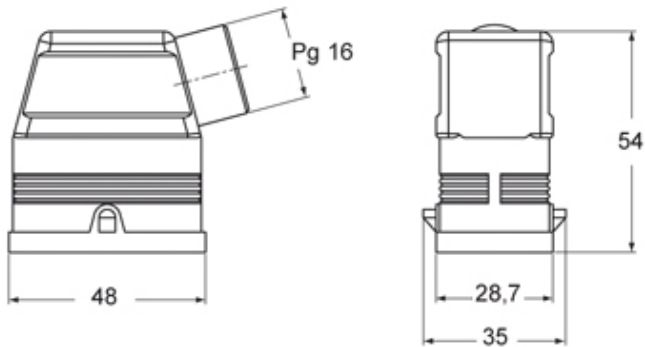
Part number

# CQS 08 V

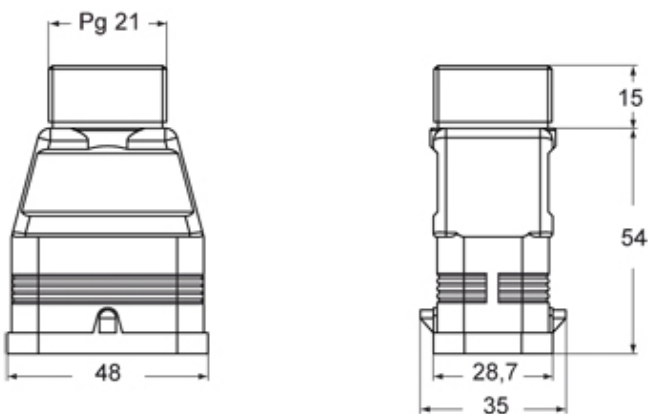


## Catalogue drawings

### CQS VA



### CQS V



## Notes

CQS enclosures:

- metallized thermoplastic enclosures
- when using EMC CQS 08 series enclosures, please remove the gasket from the male insert and replace it with the CR 08 EMC conductive gasket
- CQ 08 IAP/V/VG version with Pg male thread on outside of enclosure

Dimensions shown in mm are not binding and may be changed without notice.