

Milwaukee®

Nothing but **HEAVY DUTY**.®



PD2E 22 R

PD2E 24 R

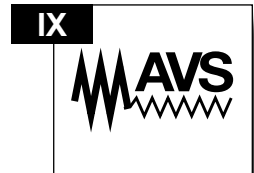
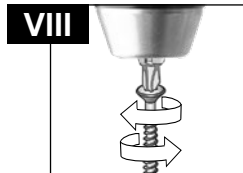
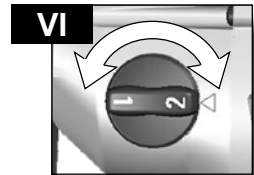
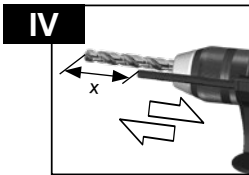
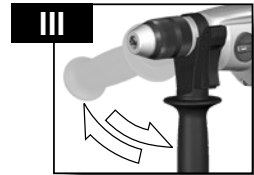
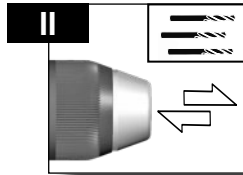
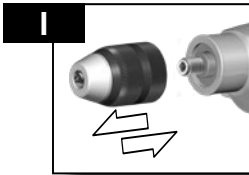
Original instructions
Originalbetriebsanleitung
Notice originale
Istruzioni originali
Manual original
Manual original
Oorspronkelijke
gebruiksaanwijzing
Original brugsanvisning
Original bruksanvisning
Bruksanvisning i original

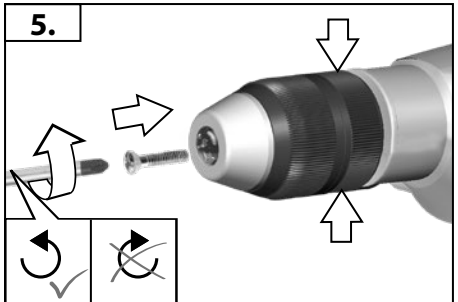
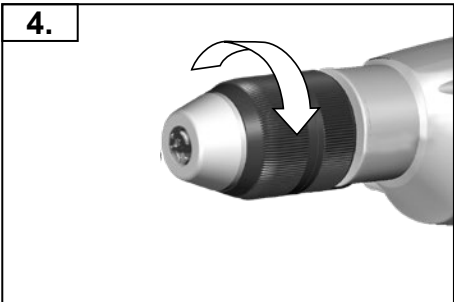
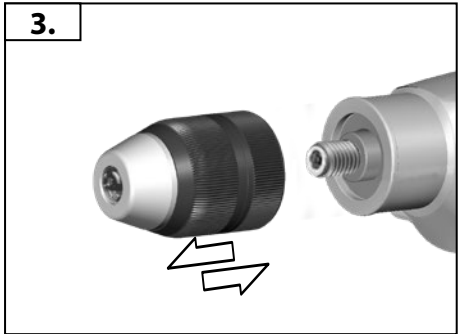
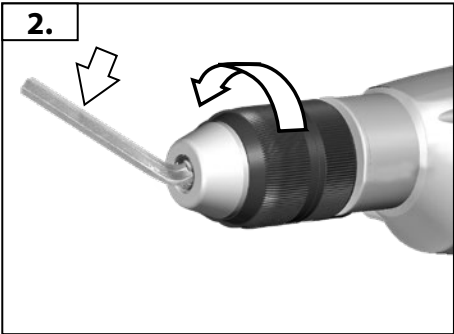
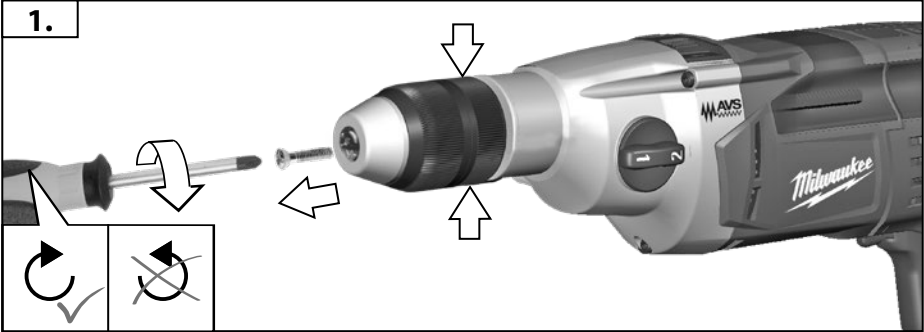
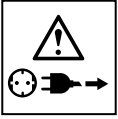
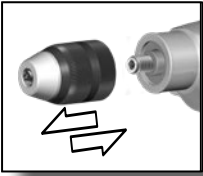
Alkuperäiset ohjeet
Πρωτότυπο οδηγίων χρήσης
Orijinal işletme talimatı
Původním návodem k používání
Původný návod na použití
Instrukcją oryginalną
Eredeti használati utasítás
Izvirna navodila
Originalne pogonske upute
Instrukcijām oriēnālvadōā
Originali instrukcija

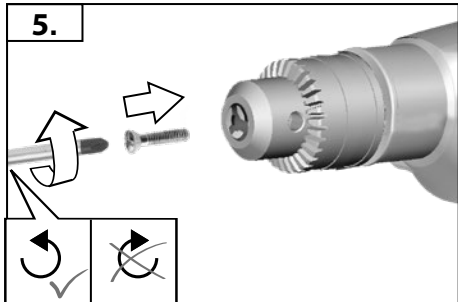
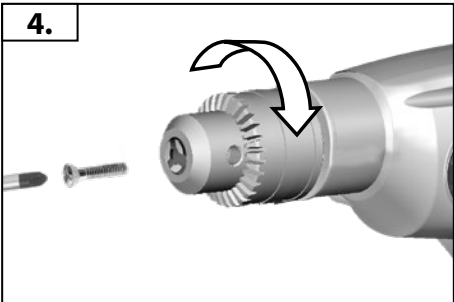
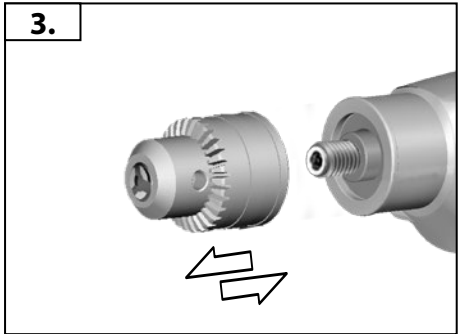
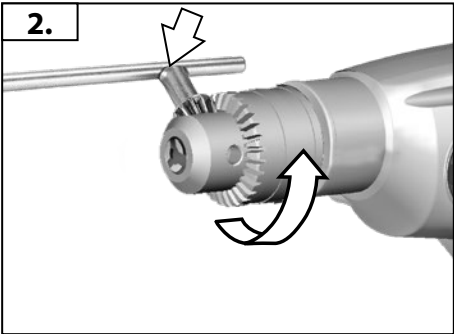
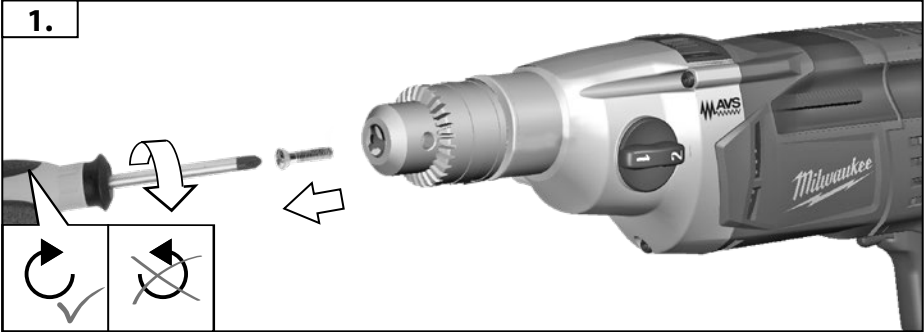
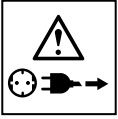
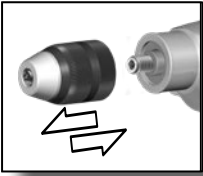
Algupärane kasutusjuhend
Оригинальное руководство
по эксплуатации
Оригинално ръководство за
експлоатация
Instrucțiuni de folosire originale
Оригинален прирачник за
работа
Оригінал інструкції з
експлуатації
التعليمات الأصلية

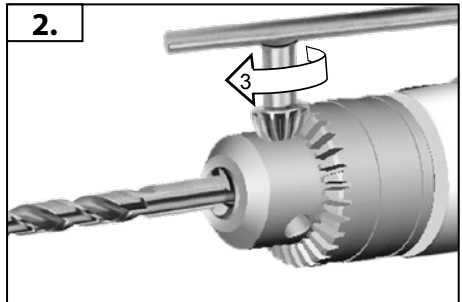
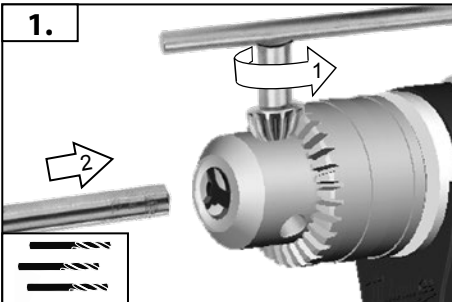
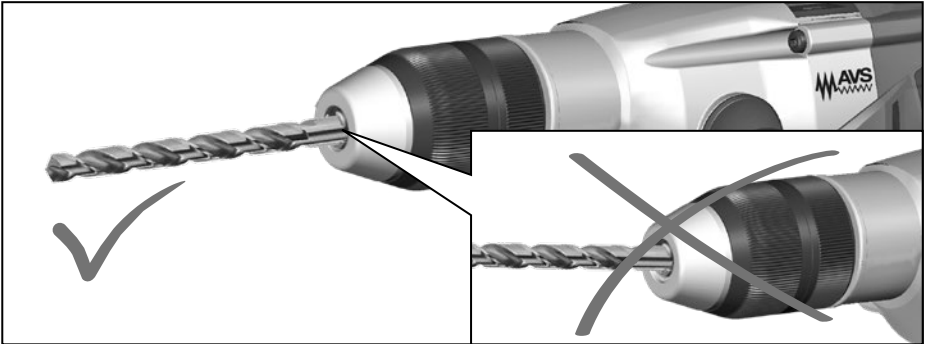
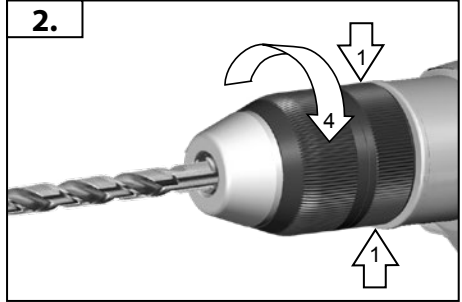
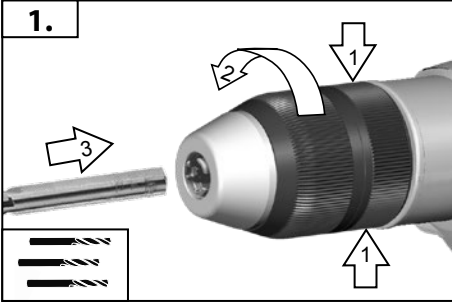
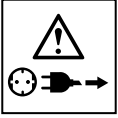
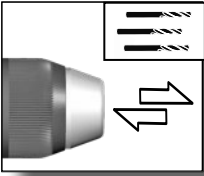
Technical Data, Safety Instructions, Specified Conditions of Use, Declaration of Conformity, Mains connection, Maintenance, Symbols	Please read and save these instructions!	English	14
Technische Daten, Sicherheitshinweise, Bestimmungsgemäße Verwendung, CE-Konformitätserklärung, Netzanschluss, Wartung, Symbole	Bitte lesen und aufbewahren!	Deutsch	17
Caractéristiques techniques, Instructions de sécurité, Utilisation conforme aux prescriptions, Déclaration CE de Conformité, Branchement secteur, Entretien, Symboles	A lire et à conserver soigneusement	Français	20
Dati tecnici, Norme di sicurezza, Utilizzo conforme, Dichiarazione di Conformità CE, Collegamento alla rete, Manutenzione, Simboli	Si prega di leggere e conservare le istruzioni!	Italiano	23
Datos técnicos, Instrucciones de seguridad, Aplicación de acuerdo a la finalidad, Declaración de Conformidad CE, Conexión eléctrica, Mantenimiento, Símbolos	Lea y conserve estas instrucciones por favor!	Español	26
Características técnicas, Instruções de segurança, Utilização autorizada, Declaração de Conformidade CE, Ligação à rede, Manutenção, Símbolo	Por favor leia e conserve em seu poder!	Português	29
Technische gegevens, Veiligheidsadviezen, Voorgeschreven gebruik van het systeem, EC-Konformiteitsverklaring, Net aansluiting, Onderhoud, Symbolen	Lees en let goed op deze adviezen!	Nederlands	32
Tekniske data, Sikkerhedshenvisninger, Tiltænk formål, CE-Konformitetserklæring, Nettilslutning, Vedligeholdelse, Symboler	Vær venlig at læse og opbevare!	Dansk	35
Tekniske data, Spesielle sikkerhetshenvisninger, Formålsmessig bruk, CE-Samsvarserklæring, Nettilkopling, Vedlikehold, Symboler	Vennligst les og oppbevar!	Norsk	38
Tekniska data, Säkerhetsutrustning, Använd maskinen Enligt anvisningarna, CEFörsäkran, Nätanslutning, Skötsel, Symboler	Läs igenom och spara!	Svenska	41
Tekniset arvot, Turvallisuusohejeet, Tarkoituksenmukainen käyttö, Todistus CE-standardinmukaisuudesta, Verkkoliitäntä, Huolto, Symbolit	Lue ja säilytö!	Suomi	44
Τεχνικά στοιχεία, Ειδικές υποδείξεις ασφαλείας, Χρήση σύμφωνα με το σκοπό προοριζομένου, Δήλωση πιστότητας ΕΚ, Διατάξεις, Χαρακτηριστικά, Συντήρηση, Σύμβολα.	Παρακαλώ διαβάστε τις και φυλάξτε τις!	Ελληνικά	47
Teknik veriler, Güvenliğiniz için talimatlar, Kullanım, CE uygunluk beyanice, Şebeke bağlantısı, Bakım, Semboller	Lütfen okuyun ve saklayın	Türkçe	50
Technická data, Speciální bezpečnostní upozornění, Oblast využití, Ce-prohlášení o shodě, Připojení na síť, Udržba, Symboly	Po přečtení uschovejte	Česky	53
Technické údaje, Špeciálne bezpečnostné pokyny, Použitie podľa predpisov, CE-Vyhľadanie conformity, Sieťová pripojka, Udržba, Symboly	Prosím prečítať a uschovať!	Slovensky	56
Dane techniczne, Specjalne zalecenia dotyczące bezpieczeñstwa, Uzytkowanie zgodne z przeznaczeniem, Świadectwo zgodności ce, Podłączenie do sieci, Gwarancja, Symbole	Należy uważnie przeczytać i zachować do wglądu!	Polski	59
Műszaki adatok, Különleges biztonsági tudnivalók, Rendeltetésszerű használat, Ce-azonosság nyilatkozat, Hálózati csatlakoztatás, Karbantartás, Szimbólumok	Olvassa el és őrizze meg	Magyar	62
Tehnični podatki, Specialni varnostni napotki, Uporaba v skladu z namembnostjo, Ce-izjava o konformnosti, Omrežni priključek, Vzdrževanje, Simboli	Prosim preberite in shranite!	Slovensko	65
Tehnički podaci, Specijalne sigurnosne upute, Propisna upotreba, Ce-izjava konformnosti, Priključak na mrežu, Održavanje, Simboli	Molimo pročitati i sačuvati	Hrvatski	68
Tehniskie dati, Speciālie drošības noteikumi, Noteikumiem atbilstošs izmantojums, Atbilstība CE normām, Tikla pieslēgums, Apkope, Simboli	Pielikums lietošanas pamācībai	Latviski	71
Techniniai duomenys, Ypatingos saugumo nuorodos, Naudojimas pagal paskirti, CE Atitikties pareiškimas, Elektros tinklo jungtis, Techninis aptarnavimas, Simboliai	Prašome perskaityti ir neišmesti!	Lietuviškai	74
Tehnilised andmed, Spetsiaalsed turvajuhised, Kasutamise vastavalt otstarbele, EÜ Vastavusavaldus, Võrku ühendamine, Hooldus, Sümbolid	Palun lugege läbi ja hoidke alal!	Eesti	77
Технические данные, Рекомендации по технике безопасности, Использо- вание, Подключение к электросети, Обслуживание, Символы	Пожалуйста прочтите и сохраните эту инструкцию.	Русский	80
Технически данни, Специални указания за безопасност, Използване по предназначение, CE-Декларация за съответствие, Свързване към мрежата, Поддръжка, Символи	Моля прочетете и запазете!	Български	83
Date tehnice, Instrucțiuni de securitate, Condiții de utilizare specificate, Declarație de conformitate, Acumulatori, Intreținere, Simboluri	Va rugăm citiți și păstrați aceste instrucțiuni	Română	86
Технички Податоци, Упатство За Употреба, Специфицирани Услови На Употреба, Еу-декларација За Сообразност, БАТЕРИИ, Одржување, Символи	Ве молиме прочитајте го и чувајте го ова упатство!	Македонски	89
Технічні характеристики, Вказівки З Техніки Безпеки, Використання за призначенням, Сертифікат Відповідності Вимогам Єс, Підключення до мережі, Обслуговування, Символи	Прочитайте та збережіть цю інструкцію.	Українська	92
تعليقات السلامة، شروط الاستخدام المحددة، توصيل الموصلات الرئيسية، إعلان المطابقة - الاتحاد الأوروبي، الصيانة، الرموز	تُرجى قراءة وحفظ هذه التعليمات!	العربية	97

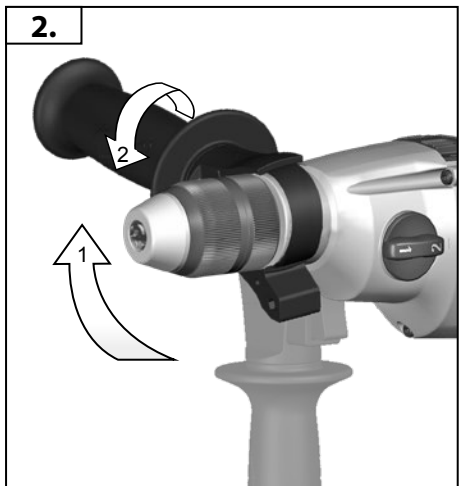
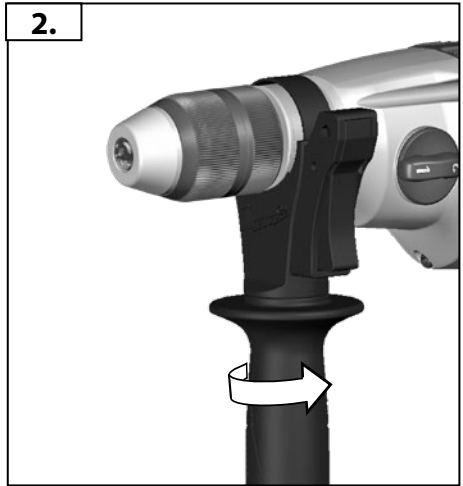
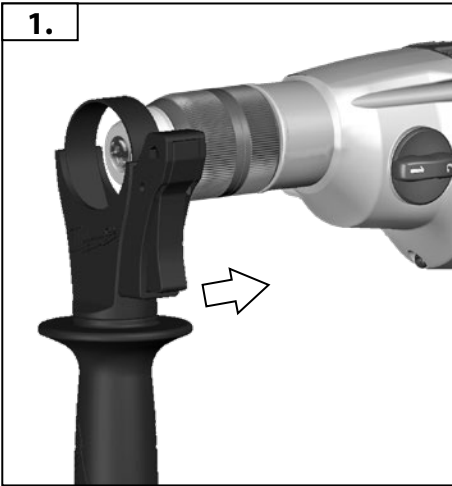
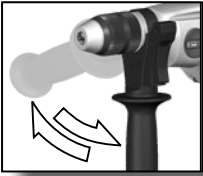


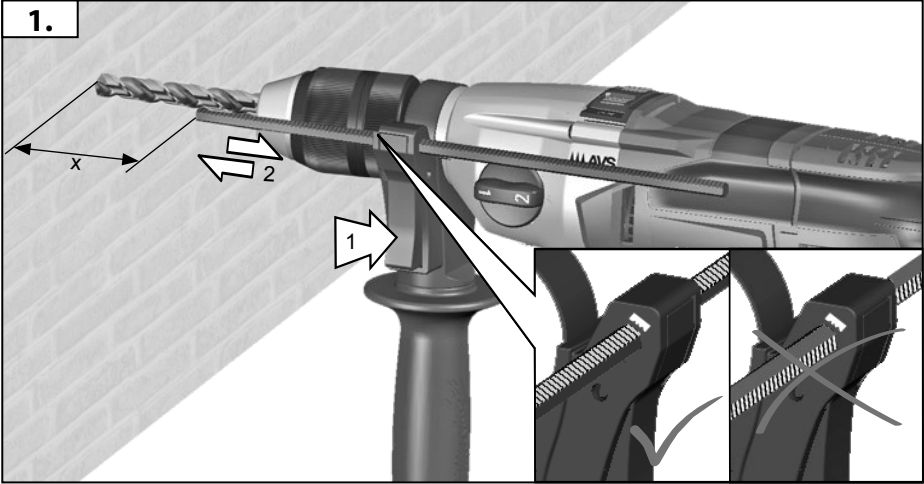
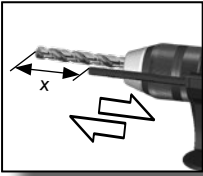


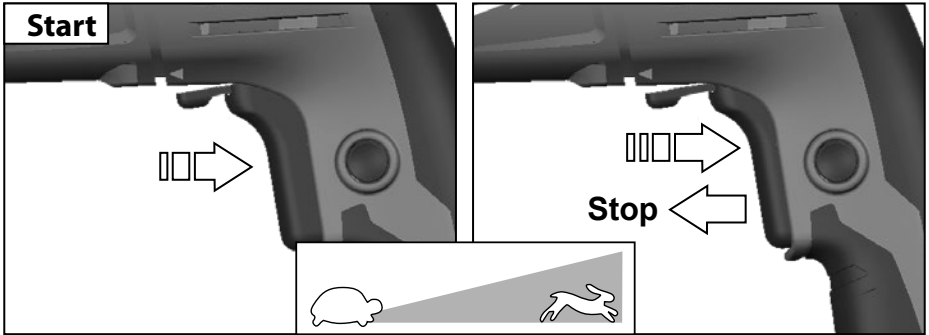




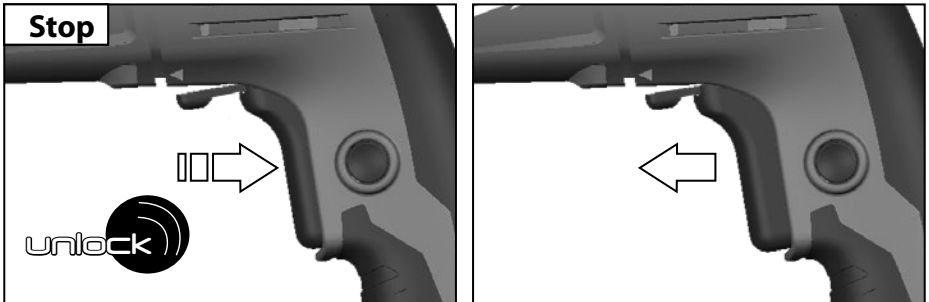






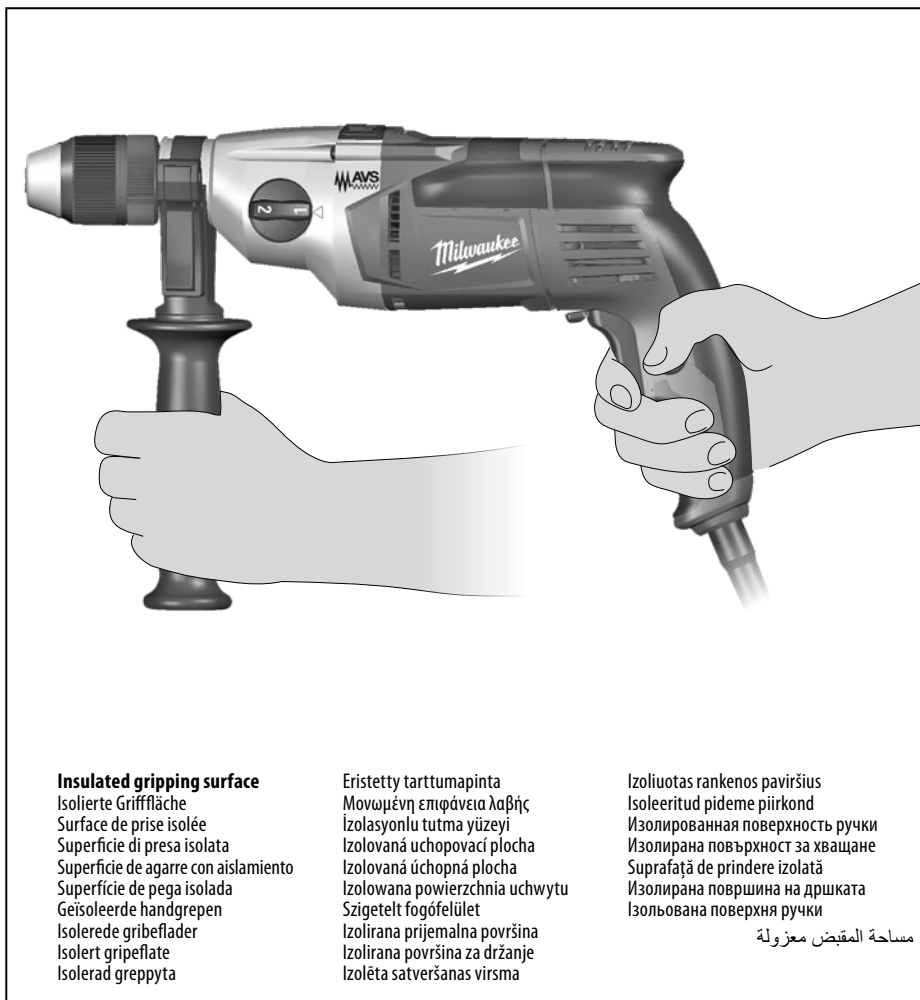


START
STOP
▼





START
STOP
◀



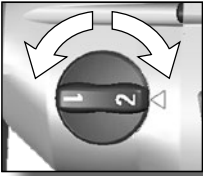
Insulated gripping surface

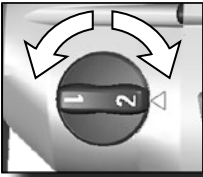
Isolierte Grifffläche
Surface de prise isolée
Superficie di presa isolata
Superficie de agarre con aislamiento
Superficie de pega isolada
Geisoleerde handgrepen
Isolerede gribefflader
Isolert gripeflate
Isolerad greppyta

Eristetty tarttumapinta
Μονωμένη επιφάνεια λαβής
İzolasyonlu tutma yüzeyi
Izolovaná uchopovací plocha
Izolovaná úchopná plocha
Izolowana powierzchnia uchwytu
Szigetelt fogófelület
Izolirana prijemalna površina
Izolirana površina za držanje
Izolēta satveršanas virsma

Izoliuotas rankenos paviršius
Isolieritud pideme piirkond
Изолированная поверхность ручки
Изолирана повърхност за хващане
Suprafață de prindere izolată
Изолирана површина на дршката
Изолирована поверхня ручки

مساحة المقبض معزولة





Den Gangschalter niemals bei eingeschalteter Maschine, sondern nur im Stillstand betätigen.

Never use the gear switch whilst the machine is operating. Only use the switch when the machine is at a standstill.

Ne jamais actionner le commutateur sélectif pendant que la machine est enclenchée, mais seulement si elle est à l'arrêt.

Non azionare l'interruttore per il cambio di velocità mai con macchina accesa, ma solo da ferma.

No utilizar jamás el cambio de velocidades estando la máquina conectada, accionar únicamente al estar enterrumpido el funcionamiento.

Nunca accionar o interruptor de velocidades con a máquina ligada, mas sempre com ela parada.

Bedien de versnellingschakelaar alléén wanneer de machine stilstaat en nooit wanneer de machine ingeschakeld is.

Gearskifte må ikke aktiveres, når maskinen er tændt - maskinen skal være slukket.

Girstangen skal aldri betjenes, når maskinen er påslått. Den skal bare betjenes, når maskinen er i stillstand.

Växelomkopplaren får inte manövreras när verktyget är påslaget, utan endast i avstängt läge.

Älä koskaan siirrä vaihdekytkintä toiseen asentoon koneen käydessä, vaan ainoastaan sen seistessä.

Δεν χειρίζεστε ποτέ το διακόπτη ταχύτητας με ενεργοποιημένη τη μηχανή, αλλά μόνο όταν αυτή είναι ακινητοποιημένη.

Hiz şalterine kesinlikle alet çalışırken basmayın, şaltere sadece alet durduğunda basın.

Přepínač rychlostí nepoužívejte nikdy při zapnutém stroji, nýbrž pouze v klidovém stavu.

Nikdy neprepínať rýchlosť, keď je skrutkovač v behu. Rýchlosť nastavíte, len keď je skrutkovač vypnutý.

Nigdy nie naciskať prełącznika zmiany biegów przy włączonej maszynie, lecz tylko w stanie zatrzymanym maszyny.

Ha a gép be van kapcsolva, soha ne használjuk a sebességkapcsolót, az csak leállás után használható.

Stikala za brzine nikoli ne aktivirajte pri vključenem stroju, ampak samo v mirovanju.

Predbirac brzine nemojte nikada uporabiti uz uključen stroj, nego samo u stanju mirovanja stroja.

Ätruma regulatoru nedrīks pārslēgt, kamēr instruments darbojas, bet gan tikai tad, kad tas ir apstādīnāts.

Greičio perjungimo jungiklio niekada nejunkite, kai mašina veikia. Jjunkite tik tada, kai mašina nesisuka.

Käigulülitit ei tohi kunagi lülitada, kui masin on sisse lülitatud, vaid alati ainult siis, kui masin on seiskunud.

Ни в коем случае не пользоваться переключателем скорости при включенном инструменте!

Никога не задействуйте превключателя на скоростите при включена машина, а само когато машината е спряла.

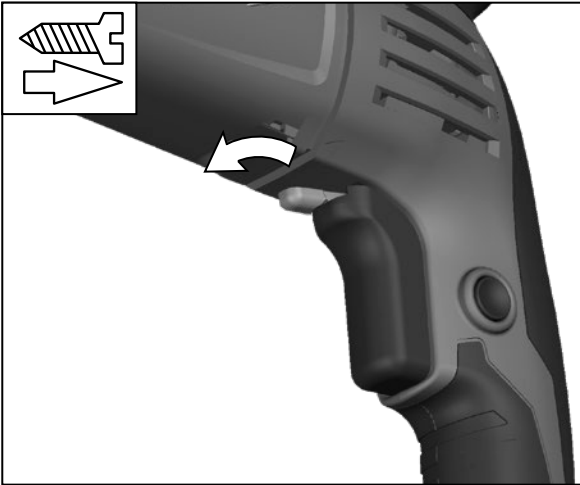
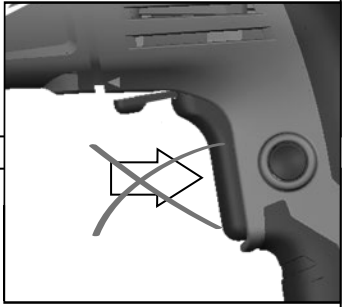
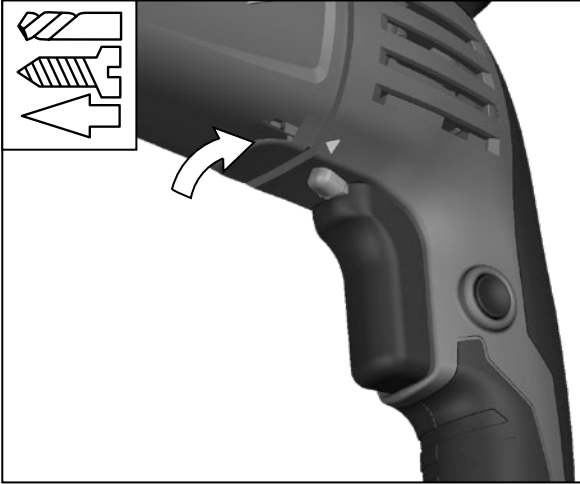
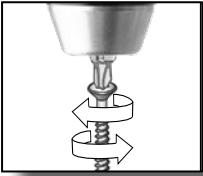
Nu acționați niciodată întrerupătorul motorului în timp ce mașina este în funcțiune. Folosiți întrerupătorul numai când mașina este oprită.

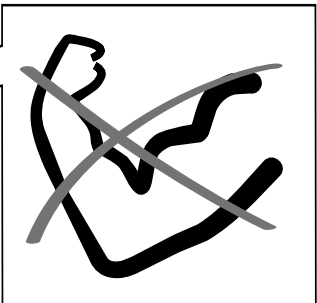
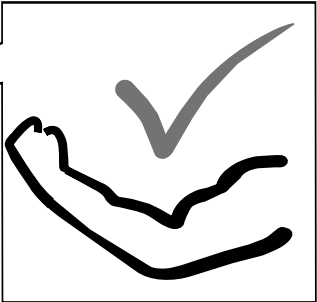
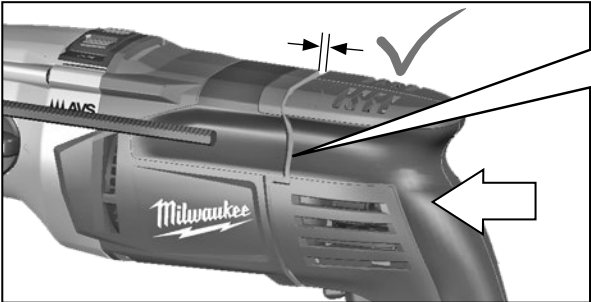
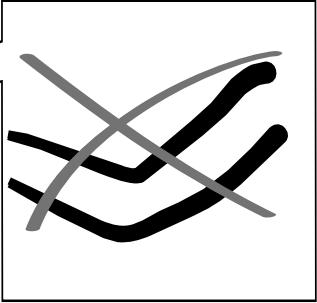
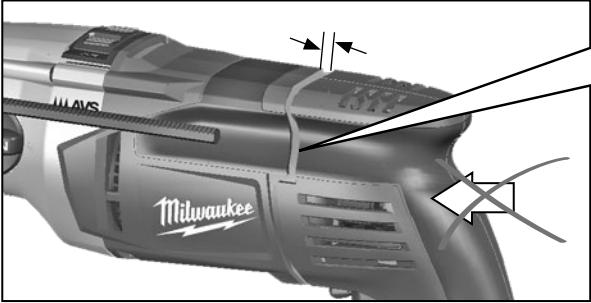
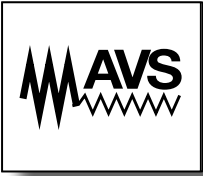
Никогаш не поместувајте го менувачот за брзина при вклучена машина, туку само во состојба на мирување.

Ніколи не перемикаєти перемикач передачі на увімкненій машині; перемикаєти тільки тоді, коли машина зупинена.

لا تستخدم مفتاح السرعة أثناء تشغيل الآلة. استخدم المفتاح فقط عندما تكون الآلة متوقفة عن العمل تماماً.







AVS





TECHNICAL DATA Percussion Drill	PD2E 22 R (220-240 V)	PD2E 24 R (220-240 V)
Production code	4195 71 03... ... 000001-999999	4195 96 03... ... 000001-999999
Rated input	850 W	1020 W
Output	460 W	540 W
No-load speed, 1st gear	0-1000 min ⁻¹	0-1000 min ⁻¹
No-load speed, 2nd gear	0-3200 min ⁻¹	0-3200 min ⁻¹
Speed under load max., 1st gear	0-680 min ⁻¹	0-680 min ⁻¹
Speed under load max., 2nd gear	0-2100 min ⁻¹	0-2100 min ⁻¹
Rate of percussion under load max.	40 000 min ⁻¹	40 000 min ⁻¹
Static jamming moment*	56/30 Nm	60/33 Nm
Drilling capacity in concrete	20 mm	22 mm
Drilling capacity in brick and tile	22 mm	24 mm
Drilling capacity in steel	13 mm	16 mm
Drilling capacity in wood	40 mm	40 mm
Drill chuck range	1,5-13 mm	1,5-13 mm
Drive shank	1/2" x 20	1/2" x 20
Chuck neck diameter	43 mm	43 mm
Weight according EPTA-Procedure 01/2014	2,8 kg	2,9 kg
Noise information		
Measured values determined according to EN 62841. Typically, the A-weighted noise levels of the tool are:		
Sound pressure level (Uncertainty K=3dB(A))	98 dB (A)	96 dB (A)
Sound power level (Uncertainty K=3dB(A))	109 dB (A)	107 dB (A)
Wear ear protectors!		
Vibration information		
Vibration total values (triaxial vector sum) determined according to EN 62841		
Drilling into metal		
Vibration emission value a _{h,D}	7,6 m/s ²	10,0 m/s ²
Uncertainty K=	1,5 m/s ²	1,5 m/s ²
Impact drilling into concrete		
Vibration emission value a _{h,ID}	17,1 m/s ²	17,8 m/s ²
Uncertainty K=	1,5 m/s ²	1,5 m/s ²

* Measured according to Milwaukee norm N 877318

WARNING!

The vibration emission level given in this information sheet has been measured in accordance with a standardised test given in EN 62841 and may be used to compare one tool with another. It may be used for a preliminary assessment of exposure.

The declared vibration emission level represents the main applications of the tool. However if the tool is used for different applications, with different accessories or poorly maintained, the vibration emission may differ. This may significantly increase the exposure level over the total working period.

An estimation of the level of exposure to vibration should also take into account the times when the tool is switched off or when it is running but not actually doing the job. This may significantly reduce the exposure level over the total working period.

Identify additional safety measures to protect the operator from the effects of vibration such as: maintain the tool and the accessories, keep the hands warm, organisation of work patterns.

⚠ WARNING Read all safety warnings, instructions, illustrations and specifications provided with this power tool. Failure to follow all instructions listed below may result in electric shock, fire and/or serious injury. **Save all warnings and instructions for future reference.**

⚠ DRILL SAFETY WARNINGS

1) Safety instructions for all operations

- Wear ear protectors when impact drilling.** Exposure to noise can cause hearing loss.
- Use the auxiliary handle(s).** Loss of control can cause personal injury.
- Hold the power tool by insulated gripping surfaces, when performing an operation where the cutting accessory may contact hidden wiring or its own cord.** Cutting accessory contacting a "live" wire may make exposed metal parts of the power tool "live" and could give the operator an electric shock.

2) Safety instructions when using long drill bits

- Never operate at higher speed than the maximum speed rating of the drill bit.** At higher speeds, the bit is likely to bend if allowed to rotate freely without contacting the workpiece, resulting in personal injury.
- Always start drilling at low speed and with the bit tip in contact with the workpiece.** At higher speeds, the bit is likely to bend if allowed to rotate freely without contacting the workpiece, resulting in personal injury.
- Apply pressure only in direct line with the bit and do not apply excessive pressure.** Bits can bend causing breakage or loss of control, resulting in personal injury.

Additional Safety and Working Instructions

Use protective equipment. Always wear safety glasses when working with the machine. The use of protective clothing is recommended, such as dust mask, protective gloves, sturdy non-slip footwear, helmet and ear defenders.

Keep mains lead clear from working range of the machine. Always lead the cable away behind you.

Do not machine any materials that present a danger to health (e.g. asbestos).

When working in walls ceiling, or floor, take care to avoid electric cables and gas or waterpipes.

Clamp your workpiece with a clamping device. Unclamped workpieces can cause severe injury and damage.

Do not use diamond core drills on hammer mode.

Switch the device off immediately if the insertion tool stalls! Do not switch the device on again while the insertion tool is stalled, as doing so could trigger a sudden recoil with a high reactive force. Determine why the insertion tool stalled and rectify this, paying heed to the safety instructions.

Possible causes can be:

- it is tilted in the workpiece to be machined
- breakage of the material to be used
- the power tool is overloaded

Do not reach into the machine while it is running.

The insertion tool may become hot during use.

WARNING! Danger of burns

- when changing tools
- when setting the device down

Chips and splinters must not be removed while the machine is running.

Always disconnect the plug from the socket before carrying out any work on the machine.

OPERATION

Cold Starting

If this tool is stored for a long period of time or at cold temperatures, it may not hammer initially because the lubrication has become stiff.

To warm up the tool

1. Insert and lock a bit or chisel into the tool.
2. Pull the trigger and apply force to the bit or chisel against a concrete or wood surface for a few seconds. Release the trigger.
3. Repeat until the tool starts hammering. The colder the tool is, the longer it will take to warm up.

SPECIFIED CONDITIONS OF USE

The percussion drill can be universally used for drilling and percussion drilling.

EC-DECLARATION OF CONFORMITY

We declare under our sole responsibility that the product described under "Technical Data" fulfills all the relevant provisions of the directives

2011/65/EU (RoHS)

2006/42/EC

2014/30/EU

and the following harmonized standards have been used.

EN 62841-1:2015

EN 62841-2-1:2018+A11:2019

EN 55014-1:2017+A11:2020

EN 55014-2:2015

EN 61000-3-2:2014

EN 61000-3-3:2013

EN IEC 63000:2018



Winnenden, 2020-11-27

Alexander Krug / Managing Director
Authorized to compile the technical file

Techtronic Industries GmbH

Max-Eyth-Straße 10, 71364 Winnenden, Germany



GB-DECLARATION OF CONFORMITY

We declare as the manufacturer under our sole responsibility that the product described under „Technical Data“ fulfills all the relevant provisions of the following Regulations
S.I. 2012/3032 (as amended), S.I. 2008/1597 (as amended),
S.I. 2016/1091 (as amended) and that the following designated standards have been used:

BS EN 62841-1:2015
BS EN 62841-2-1:2018 + A11:2019
BS EN 55014-1:2017+A11:2020
BS EN 55014-2:2015
BS EN 61000-3-2:2014
BS EN 61000-3-3:2013
BS EN IEC 63000:2018

Winnenden, 2020-11-27



Alexander Krug / Managing Director
Authorized to compile the technical file

Techtronic Industries GmbH
Max-Eyth-Straße 10, 71364 Winnenden, Germany

MAINS CONNECTION

Appliances used at many different locations including wet room and open air must be connected via a residual current device (FI, RCD, PRCD) of 30mA or less.

Connect only to single-phase AC system voltage as indicated on the rating plate. It is also possible to connect to sockets without an earthing contact as the design conforms to safety class II.

Only plug-in when machine is switched off.

MAINTENANCE

The ventilation slots of the machine must be kept clear at all times.

If the machine is mainly used for percussion drilling, regularly remove collected dust from the chuck. To remove the dust hold the machine with the chuck facing down vertically, and completely open and close the chuck. The collected dust will fall from the chuck. It is recommended to regularly use cleaner for the clamping jaws and the clamping jaw borings.

If the replacement of the supply cord is necessary, this has to be done by the manufacturer or his agent in order to avoid a safety hazard.

Use only Milwaukee accessories and Milwaukee spare parts. Should components need to be replaced which have not been described, please contact one of our Milwaukee service agents (see our list of guarantee/service addresses).

If needed, an exploded view of the tool can be ordered. Please state the Article No. as well as the machine type printed on the label and order the drawing at your local service agents or directly at:
Techtronic Industries GmbH, Max-Eyth-Straße 10, 71364 Winnenden, Germany.

SYMBOLS



CAUTION! WARNING! DANGER!



Always disconnect the plug from the socket before carrying out any work on the machine.



Please read the instructions carefully before starting the machine.



Accessory - Not included in standard equipment, available as an accessory.



Class II tool. Tool in which protection against electric shock does not rely on basic insulation only, but in which additional safety precautions, such as double insulation or reinforced insulation, are provided.

n₀

No-load speed

v

Volts



AC Current



Do not dispose of electric tools together with household waste material. Electric tools and electronic equipment that have reached the end of their life must be collected separately and returned to an environmentally compatible recycling facility. Check with your local authority or retailer for recycling advice and collection point.



European Conformity Mark



British Conformity Mark



Ukraine Conformity Mark

001



EurAsian Conformity Mark

TECHNISCHE DATEN Schlagbohrmaschine	PD2E 22 R (220-240 V)	PD2E 24 R (220-240 V)
Produktionsnummer	4195 71 03... ... 000001-999999	4195 96 03... ... 000001-999999
Nennaufnahmeleistung	850 W	1020 W
Abgabeleistung	460 W	540 W
Leerlaufdrehzahl, 1. Gang	0-1000 min ⁻¹	0-1000 min ⁻¹
Leerlaufdrehzahl, 2. Gang	0-3200 min ⁻¹	0-3200 min ⁻¹
Lastdrehzahl max., 1. Gang	0-680 min ⁻¹	0-680 min ⁻¹
Lastdrehzahl max., 2. Gang	0-2100 min ⁻¹	0-2100 min ⁻¹
Lastschlagzahl max.	40 000 min ⁻¹	40 000 min ⁻¹
Statisches Blockiermoment*	56/30 Nm	60/33 Nm
Bohr-Durchmesser in Beton	20 mm	22 mm
Bohr-Durchmesser in Ziegel und Kalksandstein	22 mm	24 mm
Bohr-Durchmesser in Stahl	13 mm	16 mm
Bohr-Durchmesser in Holz	40 mm	40 mm
Bohrfutterspannbereich	1,5-13 mm	1,5-13 mm
Bohrspindel	1/2" x 20	1/2" x 20
Spannhals-Durchmesser	43 mm	43 mm
Gewicht nach EPTA-Prozedur 01/2014	2,8 kg	2,9 kg
Geräuschinformation		
Messwerte ermittelt entsprechend EN 62841. Der A-bewertete Geräuschpegel des Gerätes beträgt typischerweise:		
Schalldruckpegel (Unsicherheit K=3dB(A))	98 dB (A)	96 dB (A)
Schallleistungspegel (Unsicherheit K=3dB(A))	109 dB (A)	107 dB (A)
Gehörschutz tragen!		
Vibrationsinformationen		
Schwingungsgesamtwerte (Vektorsumme dreier Richtungen) ermittelt entsprechend EN 62841.		
Bohren in Metall		
Schwingungsemissionswert a _{h,d}	7,6 m/s ²	10,0 m/s ²
Unsicherheit K=	1,5 m/s ²	1,5 m/s ²
Schlagbohren in Beton		
Schwingungsemissionswert a _{h,d}	17,1 m/s ²	17,8 m/s ²
Unsicherheit K=	1,5 m/s ²	1,5 m/s ²

* Gemessen nach Milwaukee Norm N 877318

WARNUNG!

Der in diesen Anweisungen angegebene Schwingungspegel ist entsprechend einem in EN 62841 genormten Messverfahren gemessen worden und kann für den Vergleich von Elektrowerkzeugen miteinander verwendet werden. Er eignet sich auch für eine vorläufige Einschätzung der Schwingungsbelastung.

Der angegebene Schwingungspegel repräsentiert die hauptsächlichen Anwendungen des Elektrowerkzeugs. Wenn allerdings das Elektrowerkzeug für andere Anwendungen, mit abweichenden Einsatzwerkzeugen oder ungenügender Wartung eingesetzt wird, kann der Schwingungspegel abweichen. Dies kann die Schwingungsbelastung über den gesamten Arbeitszeitraum deutlich erhöhen.

Für eine genaue Abschätzung der Schwingungsbelastung sollten auch die Zeiten berücksichtigt werden, in denen das Gerät abgeschaltet ist oder zwar läuft, aber nicht tatsächlich im Einsatz ist. Dies kann die Schwingungsbelastung über den gesamten Arbeitszeitraum deutlich reduzieren.

Legen Sie zusätzliche Sicherheitsmaßnahmen zum Schutz des Bedieners vor der Wirkung von Schwingungen fest wie zum Beispiel: Wartung von Elektrowerkzeug und Einsatzwerkzeugen, Warmhalten der Hände, Organisation der Arbeitsabläufe.



⚠️ WARNUNG Lesen Sie alle Sicherheitshinweise, Anweisungen, Gebildungen und technischen Daten, mit denen dieses Elektrowerkzeug versehen ist. Versäumnisse bei der Einhaltung der nachfolgenden Anweisungen können elektrischen Schlag, Brand und/oder schwere Verletzungen verursachen.
Bewahren Sie alle Sicherheitshinweise und Anweisungen für die Zukunft auf.

⚠️ SICHERHEITSHINWEISE FÜR BOHRMASCHINEN

1) Sicherheitshinweise für alle Arbeiten

- a) Tragen Sie Gehörschutz beim Schlagbohren.** Die Einwirkung von Lärm kann Gehörverlust bewirken.
- b) Zusatzhandgriff(e) verwenden.** Der Verlust der Kontrolle kann zu Verletzungen führen.
- c) Halten Sie das Gerät an den isolierten Griffflächen, wenn Sie Arbeiten ausführen, bei denen das Einsatzwerkzeug verborgene Stromleitungen oder das eigene Netzkabel treffen kann.** Der Kontakt mit einer spannungsführenden Leitung kann auch metallene Geräteteile unter Spannung setzen und zu einem elektrischen Schlag führen.

2) Sicherheitshinweise bei Verwendung von langen Bohrem

- a) Verwenden Sie niemals eine höhere Drehzahl als die maximale Drehzahl, die für den Bohreinsatz angegeben ist.** Bei höheren Drehzahlen kann sich der Bohreinsatz verbiegen, wenn er ohne Kontakt zum Werkstück dreht, was zu Verletzungen führen kann.
- b) Starten Sie immer mit einer niedrigen Drehzahl und während sich der Bohreinsatz in Kontakt mit dem Werkstück befindet.** Bei höheren Drehzahlen kann sich der Bohreinsatz verbiegen, wenn er ohne Kontakt zum Werkstück dreht, was zu Verletzungen führen kann.
- c) Üben Sie Druck immer nur in direkter Ausrichtung zum Bohreinsatz aus und drücken Sie nicht zu fest.** Bohreinsätze können verbiegen und brechen oder zu einem Verlust der Kontrolle über das Gerät führen, wodurch es wiederum zu Verletzungen kommen kann.

Weitere Sicherheits- und Arbeitshinweise

Schutzausrüstung verwenden. Beim Arbeiten mit der Maschine stets Schutzbrille tragen. Schutzkleidung wie Staubschutzmaske, Schutzhandschuhe, festes und rutschsicheres Schuhwerk, Helm und Gehörschutz werden empfohlen.

Anschlusskabel stets vom Wirkungsbereich der Maschine fernhalten. Kabel immer nach hinten von der Maschine wegführen.

Es dürfen keine Materialien bearbeitet werden, von denen eine Gesundheitsgefährdung ausgeht (z.B. Asbest).

Beim Arbeiten in Wand, Decke oder Fußboden auf elektrische Kabel, Gas- und Wasserleitungen achten.

Sichern Sie Ihr Werkstück mit einer Spannvorrichtung. Nicht gesicherte Werkstücke können schwere Verletzungen und Beschädigungen verursachen.

Bei Arbeiten mit Diamantbohrkronen Schlagwerk ausschalten.

Beim Blockieren des Einsatzwerkzeuges bitte das Gerät sofort ausschalten! Schalten Sie das Gerät nicht wieder ein, solange das Einsatzwerkzeug blockiert ist; hierbei könnte ein Rückschlag mit hohem Reaktionsmoment entstehen. Ermitteln und beheben Sie die Ursache für die Blockierung des Einsatzwerkzeuges unter Berücksichtigung der Sicherheitshinweise.

Mögliche Ursachen dafür können sein:

- Verkanten im zu bearbeitenden Werkstück
- Durchbrechen des zu bearbeitenden Materials
- Überlasten des Elektrowerkzeuges

Greifen Sie nicht in die laufende Maschine.

Das Einsatzwerkzeug kann während der Anwendung heiß werden.

WARNUNG! Verbrennungsgefahr

- bei Werkzeugwechsel
- bei Ablegen des Gerätes

Späne oder Splitter dürfen bei laufender Maschine nicht entfernt werden.

Vor allen Arbeiten an der Maschine den Stecker aus der Steckdose ziehen.

BEDIENUNG

Kaltstart

Wenn dieses Werkzeug über einen längeren Zeitraum oder bei kalten Temperaturen aufbewahrt wurde, kann es sein, dass es nicht sofort die Hammerfunktion ausführt, da die Schmierung steif geworden ist.

Aufwärmen des Geräts

1. Setzen Sie ein Bit oder einen Meißel in das Werkzeug ein und betätigen Sie die Verriegelung.

2. Drücken Sie den Ein-Aus-Schalter und setzen Sie das Bit oder den Meißel einige Sekunden mit Druck auf einer Beton- oder Holzoberfläche an. Lassen Sie dann den Ein-Aus-Schalter wieder los.

3. Wiederholen Sie diesen Vorgang, bis die Hammerfunktion des Geräts startet. Je kälter das Werkzeug ist, desto länger dauert es, bis es aufgewärmt ist.

BESTIMUNGSGEMÄSSE VERWENDUNG

Der Schlagbohrer ist universell einsetzbar zum Bohren und Schlagbohren.

CE-KONFORMITÄTSERLÄRUNG

Wir erklären in alleiniger Verantwortung, dass das unter „Technische Daten“ beschriebene Produkt mit allen relevanten Vorschriften der Richtlinien

2011/65/EU (RoHS)

2006/42/EG

2014/30/EU

und den folgenden harmonisierten normativen Dokumenten übereinstimmt

EN 62841-1:2015

EN 62841-2-1:2018+A11:2019

EN 55014-1:2017+A11:2020

EN 55014-2:2015

EN 61000-3-2:2014

EN 61000-3-3:2013

EN IEC 63000:2018



Winnenden, 2020-11-27

Alexander Krug / Managing Director

Bevollmächtigt die technischen Unterlagen zusammenzustellen.

Techtronic Industries GmbH

Max-Eyth-Straße 10, 71364 Winnenden, Germany

NETZANSCHLUSS

Steckdosen in Feuchträumen und Außenbereichen müssen mit Fehlerstrom-Schutzschaltern (FI, RCD, PRCD) ausgerüstet sein. Das verlangt die Installationsvorschrift für Ihre Elektroanlage. Bitte beachten Sie das bei der Verwendung unseres Gerätes.

Nur an Einphasen-Wechselstrom und nur an die auf dem Leistungsschild angegebene Netzspannung anschließen. Anschluss ist auch an Steckdosen ohne Schutzkontakt möglich, da ein Aufbau der Schutzklasse II vorliegt.

Maschine nur ausgeschaltet an die Steckdose anschließen.

WARTUNG

Stets die Lüftungsschlitze der Maschine sauber halten.

Bei häufigem Schlagbohrbetrieb sollte das Bohrfutter regelmäßig von Staub befreit werden. Hierzu die Maschine mit dem Bohrfutter senkrecht nach unten halten und das Bohrfutter über den gesamten Spannbereich öffnen und schließen. Der angesammelte Staub fällt so aus dem Bohrfutter. Die regelmäßige Verwendung von Reinigungsspray an den Spannbacken und Spannbackenbohrungen wird empfohlen.

Wenn ein Ersatz der Netzanschlussleitung erforderlich ist, ist dies vom Hersteller oder seinem Vertreter auszuführen, um Sicherheitsgefährdungen zu vermeiden

Nur Milwaukee Zubehör und Milwaukee Ersatzteile verwenden. Bauteile, deren Austausch nicht beschrieben wurde, bei einer Milwaukee Kundendienststelle auswechseln lassen (Broschüre Garantie/Kundendienstadressen beachten).

Bei Bedarf kann eine Explosionszeichnung des Gerätes unter Angabe der Maschinen Type und der sechsstelligen Nummer auf dem Leistungsschild bei Ihrer Kundendienststelle oder direkt bei Techtronic Industries GmbH, Max-Eyth-Straße 10, 71364 Winnenden, Germany angefordert werden.

SYMBOLE



ACHTUNG! WARNUNG! GEFAHR!



Vor allen Arbeiten an der Maschine den Stecker aus der Steckdose ziehen.



Bitte lesen Sie die Gebrauchsanweisung vor Inbetriebnahme sorgfältig durch.



Zubehör - Im Lieferumfang nicht enthalten, empfohlene Ergänzung aus dem Zubehörprogramm.



Elektrowerkzeug der Schutzklasse II. Elektrowerkzeug, bei dem der Schutz vor einem elektrischen Schlag nicht nur von der Basisisolierung abhängt, sondern auch davon, dass zusätzliche Schutzmaßnahmen, wie doppelte Isolierung oder verstärkte Isolierung, angewendet werden.

n_0

Leerlaufdrehzahl

V

Spannung



Wechselstrom



Elektrogeräte dürfen nicht zusammen mit dem Hausmüll entsorgt werden. Elektrische und elektronische Geräte sind getrennt zu sammeln und zur umweltgerechten Entsorgung bei einem Verwertungsbetrieb abzugeben. Erkundigen Sie sich bei den örtlichen Behörden oder bei Ihrem Fachhändler nach Recyclinghöfen und Sammelstellen.



Europäisches Konformitätszeichen



Britisches Konformitätszeichen



Ukrainisches Konformitätszeichen

001



Euroasiatisches Konformitätszeichen



CARACTÉRISTIQUES TECHNIQUES Perceuse à Percussion	PD2E 22 R (220-240 V)	PD2E 24 R (220-240 V)
Numéro de série	4195 71 03... ... 000001-999999	4195 96 03... ... 000001-999999
Puissance nominale de réception	850 W	1020 W
Puissance utile	460 W	540 W
Vitesse de rotation à vide, 1ère vitesse	0-1000 min ⁻¹	0-1000 min ⁻¹
Vitesse de rotation à vide, 2ème vitesse	0-3200 min ⁻¹	0-3200 min ⁻¹
Vitesse de rotation en charge max., 1ère vitesse	0-680 min ⁻¹	0-680 min ⁻¹
Vitesse de rotation en charge max., 2ème vitesse	0-2100 min ⁻¹	0-2100 min ⁻¹
Perçage à percussion en charge max.	40 000 min ⁻¹	40 000 min ⁻¹
Moment de blocage statique*	56/30 Nm	60/33 Nm
∅ de perçage dans le béton	20 mm	22 mm
∅ de perçage dans brique et grès argilo-calcaire	22 mm	24 mm
∅ de perçage dans acier	13 mm	16 mm
∅ de perçage dans bois	40 mm	40 mm
Plage de serrage du mandrin	1,5-13 mm	1,5-13 mm
Broche de perçage	1/2" x 20	1/2" x 20
∅ du collier de serrage	43 mm	43 mm
Poids suivant EPTA-Procédure 01/2014	2,8 kg	2,9 kg
Informations sur le bruit		
Valeurs de mesure obtenues conformément à la EN 62841. Les mesures réelles (des niveaux acoustiques de l'appareil) sont :		
Niveau de pression acoustique (Incertitude K=3dB(A))	98 dB (A)	96 dB (A)
Niveau d'intensité acoustique (Incertitude K=3dB(A))	109 dB (A)	107 dB (A)
Toujours porter une protection acoustique!		
Informations sur les vibrations		
Valeurs totales des vibrations (somme vectorielle de trois sens) établies conformément à EN 62841.		
Perçage dans le métal		
Valeur d'émission vibratoire a _{h,d}	7,6 m/s ²	10,0 m/s ²
Incertitude K=	1,5 m/s ²	1,5 m/s ²
Perçage à percussion dans le béton		
Valeur d'émission vibratoire a _{h,10}	17,1 m/s ²	17,8 m/s ²
Incertitude K=	1,5 m/s ²	1,5 m/s ²

* Mesuré selon la norme Milwaukee N 877318

AVERTISSEMENT!

Le niveau vibratoire indiqué dans ces instructions a été mesuré selon un procédé de mesure normalisé dans la norme EN 62841 et peut être utilisé pour comparer des outils électriques entre eux. Il convient aussi à une estimation provisoire de la sollicitation par les vibrations.

Le niveau vibratoire indiqué représente les applications principales de l'outil électrique. Toutefois, si l'outil électrique est utilisé pour d'autres applications, avec des outils rapportés qui diffèrent ou une maintenance insuffisante, il se peut que le niveau vibratoire diverge. Cela peut augmenter nettement la sollicitation par les vibrations sur tout l'intervalle de temps du travail.

Pour une estimation précise de la sollicitation par les vibrations, on devrait également tenir compte des temps pendant lesquels l'appareil n'est pas en marche ou tourne sans être réellement en service. Cela peut réduire nettement la sollicitation par les vibrations sur tout l'intervalle de temps du travail.

Définissez des mesures de sécurité supplémentaires pour protéger l'utilisateur contre l'influence des vibrations, comme par exemple : la maintenance de l'outil électrique et des outils rapportés, le maintien au chaud des mains, l'organisation des déroulements de travail.

⚠ AVERTISSEMENT Lisez toutes les consignes de sécurité, instructions, présentations et données que vous recevez avec l'appareil. Le fait de ne pas suivre toutes les instructions données ci-dessous peut provoquer un choc électrique, un incendie et/ou une blessure grave.

Bien garder tous les avertissements et instructions.

⚠ INSTRUCTIONS DE SÉCURITÉ POUR PERCEUSES

1) Consignes de sécurité à suivre pour tous les types d'applications

a) Porter un casque de protection au cours du perçage à percussion. L'exposition au bruit pourrait provoquer une diminution de l'ouïe.

b) Utilisez les poignées auxiliaires. La perte de contrôle peut mener à des blessures.

c) Tenir l'outil uniquement par les surfaces de préhension isolantes, pendant les opérations au cours desquelles l'accessoire coupant peut être en contact avec des conducteurs cachés ou avec son propre câble. Le contact de l'outil de coupe avec un câble qui conduit la tension peut mettre les pièces métalliques de l'appareil sous tension et mener à une décharge électrique.

2) Consignes de sécurité à suivre lors de l'utilisation de mèches longues

a) Ne jamais appliquer une vitesse supérieure à la vitesse maximale de la mèche. Si une vitesse supérieure est appliquée, alors la mèche peut se tordre si elle tourne librement sans être en contact avec la pièce travaillée et peut blesser l'opérateur.

b) Toujours commencer le fraisage à vitesse basse et avec la pointe de la mèche en contact avec la pièce à travailler. Si une vitesse supérieure est appliquée, alors la mèche peut se tordre si elle tourne librement sans être en contact avec la pièce travaillée et peut blesser l'opérateur.

c) Appliquer la pression uniquement en ligne droite dans l'axe de la mèche et ne pas appliquer une pression trop importante. Les mèches peuvent se tordre, casser et entraîner une perte de contrôle et des blessures.

Avis complémentaires de sécurité et de travail

Utiliser l'équipement de protection. Toujours porter des lunettes de protection pendant le travail avec la machine. Il est recommandé de porter des articles de protection, tels que masque antipoussière, gants de protection, chaussures tenant bien aux pieds et antidérapantes, casque et protection acoustique.

Le câble d'alimentation doit toujours se trouver en dehors du champ d'action de la machine. Toujours maintenir le câble d'alimentation à l'arrière de la machine.

Il est interdit de travailler des matériaux dangereux pour la santé (par ex. amiante).

Lors du perçage dans les murs, les plafonds ou les planchers, toujours faire attention aux câbles électriques et aux conduites de gaz et d'eau. Fixer fermement la pièce en exécution à l'aide d'un dispositif de serrage. Des pièces en exécution non fermement fixées peuvent provoquer des dommages et des lésions graves.

Toujours déconnecter le mécanisme de percussion lorsqu'on travaille avec la couronne de perçage diamantée.

Désactiver immédiatement le dispositif en cas de blocage ! Ne pas réactiver le dispositif avec l'outil bloqué; il y a le risque de provoquer un contrecoup avec moment de réaction élevé. Établir et éliminer la cause du blocage de l'outil en prêtant attention aux consignes de sécurité.

Les causes possibles sont :

- Encastrement dans la pièce à travailler.
- Le dispositif a traversé le matériau à travailler en le cassant.
- Le dispositif électrique a été surchargé.

Ne pas approcher les mains de la partie en mouvement de la machine.

Durant l'utilisation, l'outil peut se surchauffer.

AVERTISSEMENT! Danger de brûlures

- durant le remplacement de l'outil
- durant la dépose de l'outil

Ne jamais enlever les copeaux ni les éclats lorsque la machine est en marche.

Avant tous travaux sur la machine extraire la fiche de la prise de courant.

FUNCTIONNEMENT

Démarrage à froid

Si cet outil est stocké pendant une longue période ou à des températures froides, il peut ne pas marteler au départ parce que la lubrification est devenue rigide.

Pour réchauffer l'outil

1. Insérer et verrouiller un foret ou un burin dans l'outil.
2. Appuyer sur l'interrupteur marche-arrêt et appliquer une force sur la mèche ou burin contre une surface en béton ou en bois pendant quelques secondes. Relâcher l'interrupteur marche-arrêt.
3. Répéter l'opération jusqu'à ce que l'outil commence à marteler. Plus l'outil est froid, plus il faudra de temps pour le réchauffer.

UTILISATION CONFORME AUX PRESCRIPTIONS

La perceuse à percussion est conçue pour un travail universel de perçage normal et de perçage à percussion

DÉCLARATION CE DE CONFORMITÉ

Nous déclarons, sous notre responsabilité exclusive, que le produit décrit ici dans les « Caractéristiques techniques » satisfait à toutes les dispositions pertinentes des directives

2011/65/UE (RoHS)

2006/42/CE

2014/30/UE

et que les normes harmonisées suivantes ont été appliquées.

EN 62841-1:2015

EN 62841-2-1:2018+A11:2019

EN 55014-1:2017+A11:2020

EN 55014-2:2015

EN 61000-3-2:2014

EN 61000-3-3:2013

EN IEC 63000:2018



Winnenden, 2020-11-27

Alexander Krug / Managing Director

Autorisé à compiler la documentation technique.

Techtronic Industries GmbH

Max-Eyth-Straße 10, 71364 Winnenden, Germany



BRANCHEMENT SECTEUR

Les prises de courant se trouvant à l'extérieur doivent être équipées de disjoncteurs différentiel (FI, RCD, PRCD) conformément aux prescriptions de mise en place de votre installation électrique. Veuillez en tenir compte lors de l'utilisation de notre appareil.

Raccorder uniquement à un courant électrique monophasé et uniquement à la tension secteur indiquée sur la plaque signalétique. Le raccordement à des prises de courant sans contact de protection est également possible car la classe de protection II est donnée.

Ne raccorder la machine au réseau que si l'interrupteur est en position arrêt.

ENTRETIEN

Tenir toujours propres les orifices de ventilation de la machine.

Au cas où la machine serait souvent utilisée en mode de percussion, il est recommandé d'enlever les poussières se trouvant dans le mandrin de serrage à intervalles réguliers. Tenir la machine dans la position verticale, le mandrin de serrage vers le bas, et desserrer et resserrer le plus possible le mandrin de serrage. Toute la poussière accumulée tombe ainsi du mandrin de serrage. Il est recommandé d'utiliser régulièrement le spray de nettoyage (N° Id. 4932 6217 19) sur les mâchoires et les alésages des mâchoires de serrage.

S'il est nécessaire de remplacer le cordon d'alimentation, cette opération doit être effectuée par le fabricant ou son agent afin d'éviter tout risque mettant en danger la sécurité.

Utiliser uniquement les accessoires Milwaukee et les pièces détachées Milwaukee. Faire remplacer les composants dont le remplacement n'a pas été décrit, par un des centres de service après-vente Milwaukee (observer la brochure avec les adresses de garantie et de service après-vente).

Si besoin est, une vue éclatée de l'appareil peut être fournie. S'adresser, en indiquant bien le numéro porté sur la plaque signalétique, à votre station de service après-vente (voir liste jointe) ou directement à Techtronic Industries GmbH, Max-Eyth-Straße 10, 71364 Winnenden, Germany.

SYMBOLES



ATTENTION! AVERTISSEMENT! DANGER!



Avant tous travaux sur la machine extraire la fiche de la prise de courant.



Veillez lire avec soin le mode d'emploi avant la mise en service



Accessoires - Ces pièces ne font pas partie de la livraison. Il s'agit là de compléments recommandés pour votre machine et énumérés dans le catalogue des accessoires.



Outil électrique en classe de protection II. Outil électrique équipé d'une protection contre la fulguration électrique qui ne dépend seulement de l'isolation de base mais aussi de l'application d'autres mesures de protection telles qu'une double isolation ou une isolation augmentée.

n₀

Vitesse de rotation à vide

V

Tension (V c.a.)



Courant alternatif



Les dispositifs électriques ne sont pas à éliminer dans les déchets ménagers. Les dispositifs électriques et électroniques sont à collecter séparément et à remettre à un centre de recyclage en vue de leur élimination dans le respect de l'environnement. S'adresser aux autorités locales ou au détaillant spécialisé en vue de connaître l'emplacement des centres de recyclage et des points de collecte.



CE Marque de conformité européenne

UK CA Marque de conformité britannique



001 Marque de conformité ukrainienne



EAC Marque de conformité d'Eurasie



DATI TECNICI Trapani a percussione	PD2E 22 R (220-240 V)	PD2E 24 R (220-240 V)
Numero di serie	4195 71 03... ... 000001-999999	4195 96 03... ... 000001-999999
Potenza assorbita nominale	850 W	1020 W
Potenza erogata	460 W	540 W
Numero di giri a vuoto, 1. velocità	0-1000 min ⁻¹	0-1000 min ⁻¹
Numero di giri a vuoto, 2. velocità	0-3200 min ⁻¹	0-3200 min ⁻¹
Numero di giri a carico max., 1. velocità	0-680 min ⁻¹	0-680 min ⁻¹
Numero di giri a carico max., 2. velocità	0-2100 min ⁻¹	0-2100 min ⁻¹
Percussione a pieno carico max.	40 000 min ⁻¹	40 000 min ⁻¹
Momento di bloccaggio statico*	56/30 Nm	60/33 Nm
∅ Foratura in calcestruzzo	20 mm	22 mm
∅ Foratura in mattone e in arenaria calcarea	22 mm	24 mm
∅ Foratura in acciaio	13 mm	16 mm
∅ Foratura in legno	40 mm	40 mm
Capacità mandrino	1,5-13 mm	1,5-13 mm
Attacco mandrino	1/2" x 20	1/2" x 20
∅ collarino di fissaggio	43 mm	43 mm
Peso secondo la procedura EPTA 01/2014	2,8 kg	2,9 kg
Informazioni sulla rumorosità		
Valori misurati conformemente alla norma EN 62841. La misurazione A del livello di pressione acustica dell'utensile è di solito di:		
Livello di rumorosità (Incertezza della misura K=3dB(A))	98 dB (A)	96 dB (A)
Potenza della rumorosità (Incertezza della misura K=3dB(A))	109 dB (A)	107 dB (A)
Utilizzare le protezioni per l'udito!		
Informazioni sulle vibrazioni		
Valori totali delle oscillazioni (somma di vettori in tre direzionmisurati conformemente alla norma EN 62841		
Perforazione in metallo		
Valore di emissione dell'oscillazione a _{h,10}	7,6 m/s ²	10,0 m/s ²
Incertezza della misura K=	1,5 m/s ²	1,5 m/s ²
Perforazione a percussione		
Valore di emissione dell'oscillazione a _{h,10}	17,1 m/s ²	17,8 m/s ²
Incertezza della misura K=	1,5 m/s ²	1,5 m/s ²

* Misurato conf. norma N 877318 Milwaukee

AVVERTENZA!

Il livello di vibrazioni indicato nelle presenti istruzioni è stato misurato in conformità con un procedimento di misurazione codificato nella EN 62841 e può essere utilizzato per un confronto tra attrezzi elettrici. Inoltre si può anche utilizzare per una valutazione preliminare della sollecitazione da vibrazioni.

Il livello di vibrazioni indicato rappresenta le applicazioni principali dell'attrezzo elettrico. Se viceversa si utilizza l'attrezzo elettrico per altri scopi, con accessori differenti o con una manutenzione insufficiente, il livello di vibrazioni può risultare diverso. E questo può aumentare decisamente la sollecitazione da vibrazioni lungo l'intero periodo di lavorazione.

Ai fini di una valutazione precisa della sollecitazione da vibrazioni si dovrebbero tenere presente anche i periodi in cui l'apparecchio rimane spento oppure, anche se acceso, non viene effettivamente utilizzato. Ciò può ridurre notevolmente la sollecitazione da vibrazioni lungo l'intero periodo di lavorazione.

Stabilite misure di sicurezza supplementari per la tutela dell'operatore dall'effetto delle vibrazioni, come ad esempio: manutenzione dell'attrezzo elettrico e degli accessori, riscaldamento delle mani, organizzazione dei processi di lavoro.



⚠ AVVERTENZA Leggere tutte le avvertenze di sicurezza, le istruzioni, le illustrazioni e i dati forniti a corredo dell'apparecchio. In caso di mancata osservanza delle seguenti istruzioni vi è il pericolo di provocare una scossa elettrica, di sviluppare incendi e/o di provocare seri incidenti. **Conservare tutte le avvertenze di pericolo e le istruzioni operative per ogni esigenza futura.**

⚠ INDICAZIONI DI SICUREZZA PER TRAPANI

1) Istruzioni di sicurezza per tutte le operazioni

a) Indossare cuffie protettive durante la trapanatura a percussione. L'esposizione al rumore potrebbe comportare una riduzione dell'udito.

b) Utilizzare le maniglie ausiliarie. La perdita di controllo potrebbe causare danneggiamenti all'utilizzatore.

c) Quando si eseguono lavori in cui vi è pericolo che l'accessorio impiegato possa arrivare a toccare cavi elettrici nascosti oppure anche il cavo elettrico della macchina stessa, tenere l'elettrotensile afferrandolo sempre alle superfici di impugnatura isolate. L'eventuale contatto dell'utensile da taglio con un cavo sotto tensione potrebbe mettere sotto tensione le parti metalliche dell'apparecchio e provocare una folgorazione.

2) Istruzioni di sicurezza quando si usano punte lunghe

a) Non operare mai a una velocità superiore a quella massima della velocità della punta elicoidale. A velocità più elevate, è probabile che la punta si pieghi se gli si consente di ruotare liberamente senza toccare il pezzo, causando lesioni personali.

b) Iniziare sempre la foratura a bassa velocità e con la punta a contatto con il pezzo. A velocità più elevate, è probabile che la punta si pieghi se gli si consente di ruotare liberamente senza toccare il pezzo, causando lesioni personali.

c) Applicare la pressione solo in linea diretta con la punta e non applicare una pressione eccessiva. Le punte possono piegarsi causando rottura o perdita di controllo, con conseguenti lesioni personali.

Ulteriori avvisi di sicurezza e di lavoro

Usare dispositivi di protezione. Durante il lavoro con la macchina bisogna sempre portare occhiali di protezione. Si consiglia di indossare indumenti di protezione come maschera antipolvere, guanti di protezione, scarpe antiscivolo robuste, casco e cuffie di protezione acustica.

Tenere sempre lontano il cavo di collegamento dall'area di lavoro dell'attrezzo.

E' vietato lavorare materiali che possono costituire pericoli alla salute (ad es. amianto).

Forando pareti, soffitti o pavimenti, si faccia attenzione ai cavi elettrici e alle condutture dell'acqua e del gas.

Fissare in sicurezza il pezzo in lavorazione con un dispositivo di serraggio. Pezzi in lavorazione che non siano fissati in sicurezza possono causare gravi lesioni e danni.

Disattivare la percussione quando si lavora con corone a forare diamantate.

Spegnere immediatamente il dispositivo in caso di bloccaggio! Non riaccendere il dispositivo fino a quando l'utensile ad inserto resta bloccato; esiste il rischio di causare un contraccolpo con elevato

momento di reazione. Rilevare ed eliminare la causa del bloccaggio dell'utensile ad inserto tenendo conto delle indicazioni di sicurezza.

Le possibili cause sono:

- Incastro nel pezzo in lavorazione
- Il dispositivo ha attraversato il materiale da lavorare rompendolo
- Il dispositivo elettrico è stato sovraccaricato

Non avvicinare le mani alla parte della macchina in movimento.

Durante l'uso l'utensile ad inserto può surriscaldarsi.

AVVERTENZA! Pericolo di ustioni

- durante la sostituzione dell'utensile
- durante il deposito dell'utensile

Non rimuovere trucioli o schegge mentre l'utensile è in funzione.

Prima di effettuare qualsiasi lavoro sulla macchina togliere la spina dalla presa di corrente.

OPERAZIONE

Avvio a freddo

Se questo utensile è stato conservato per un lungo periodo di tempo o a basse temperature, potrebbe non iniziare immediatamente a martellare poiché la lubrificazione si è indurita.

Per riscaldare l'utensile

1. Inserire e bloccare una punta o uno scalpello nell'utensile.
2. Premere l'interruttore On/Off e applicare una pressione sulla punta o sullo scalpello contro una superficie di cemento o legno per alcuni secondi. Rilasciare l'interruttore On/Off.
3. Ripetere finché l'utensile non inizia a martellare. Più l'utensile è freddo, più tempo impiegherà a riscaldarsi.

UTILIZZO CONFORME

Il trapano a percussione può essere utilizzato per forare e forare a percussione.

DICHIARAZIONE DI CONFORMITÀ CE

Assumendone la piena responsabilità, dichiariamo che il prodotto descritto nei "Dati tecnici" è conforme alle pertinenti disposizioni delle direttive

2011/65/UE (RoHS)

2006/42/CE

2014/30/UE

e che sono state applicate le seguenti norme armonizzate

EN 62841-1:2015

EN 62841-2-1:2018+A11:2019

EN 55014-1:2017+A11:2020

EN 55014-2:2015

EN 61000-3-2:2014

EN 61000-3-3:2013

EN IEC 63000:2018

CE

Winnenden, 2020-11-27



Alexander Krug / Managing Director

Autorizzato alla preparazione della documentazione tecnica

Techtronic Industries GmbH

Max-Eyth-Straße 10, 71364 Winnenden, Germany

COLLEGAMENTO ALLA RETE

Gli apparecchi mobili usati all'aperto devono essere collegati interponendo un interruttore di sicurezza (FI, RCD, PRCD) per guasti di corrente.

Connettere solo corrente alternata mono fase e solo al sistema di voltaggio indicato sulla piastra. E' possibile anche connettere la presa senza un contatto di messa a terra così come prevede lo schema conforme alla norme di sicurezza di classe II.

Inserire la spina solo con interruttore su posizione „OFF“.



Marchio di conformità britannico

Marchio di conformità ucraino

Marchio di conformità euroasiatico

MANUTENZIONE

Tener sempre ben pulite le fessure di ventilazione dell'apparecchio.

Se la macchina è prevalentemente usata per trapanatura a percussione, rimuovere regolarmente la polvere dal mandrino. Per rimuovere la polvere tenere la macchina con il mandrino verso il basso in posizione verticale e aprire e chiudere completamente il mandrino. La polvere cadrà dal mandrino. Si raccomanda un uso regolare di pulitori (Id. No. 4932 6217 19) per le ganasce e le fessure delle ganasce.

Se è necessario sostituire il cavo di alimentazione, rivolgersi al produttore o al Servizio di assistenza per evitare rischi per la salute.

Usare solo accessori Milwaukee e pezzi di ricambio Milwaukee. Gruppi costruttivi la cui sostituzione non è stata descritta, devono essere fatti cambiare da un punto di servizio di assistenza tecnica al cliente Milwaukee (vedi depliant garanzia/indirizzi assistenza tecnica ai clienti).

In caso di mancanza del disegno esploso, può essere richiesto al seguente indirizzo: Techtronic Industries GmbH, Max-Eyth-Straße 10, 71364 Winnenden, Germany.

SIMBOLI



ATTENZIONE! AVVERTENZA! PERICOLO!



Prima di effettuare qualsiasi lavoro sulla macchina togliere la spina dalla presa di corrente.



Leggere attentamente le istruzioni per l'uso prima di mettere in funzione l'elettrooutensile.



Accessorio - Non incluso nella dotazione standard, disponibile a parte come accessorio.



Utensile elettrico di classe di protezione II. Utensile elettrico sul quale la protezione contro la folgorazione elettrica non dipende soltanto dall'isolamento di base, ma anche dall'applicazione di ulteriori misure di protezione, come il doppio isolamento o l'isolamento maggiorato.

n₀

Numero di giri a vuoto

V

Volt



Corrente alternata



I dispositivi elettrici non devono essere smaltiti con i rifiuti domestici. I dispositivi elettrici ed elettronici devono essere raccolti separatamente e devono essere conferiti ad un centro di riciclaggio per lo smaltimento rispettoso dell'ambiente. Chiedere alle autorità locali o al rivenditore specializzato dove si trovano i centri di riciclaggio e i punti di raccolta.



Marchio di conformità europeo





DATOS TÉCNICOS Taladro con Percusión	PD2E 22 R (220-240 V)	PD2E 24 R (220-240 V)
Número de producción	4195 71 03... ... 000001-999999	4195 96 03... ... 000001-999999
Potencia de salida nominal	850 W	1020 W
Potencia entregada	460 W	540 W
Velocidad en vacío, 1ª velocidad	0-1000 min ⁻¹	0-1000 min ⁻¹
Velocidad en vacío, 2ª velocidad	0-3200 min ⁻¹	0-3200 min ⁻¹
Velocidades en carga máx., 1ª velocidad	0-680 min ⁻¹	0-680 min ⁻¹
Velocidades en carga máx., 2ª velocidad	0-2100 min ⁻¹	0-2100 min ⁻¹
Frecuencia de impactos bajo carga máx.	40 000 min ⁻¹	40 000 min ⁻¹
Par de bloqueo estático*	56/30 Nm	60/33 Nm
Diámetro de taladrado en hormigón	20 mm	22 mm
Diámetro de taladrado ladrillo y losetas	22 mm	24 mm
Diámetro de taladrado en acero	13 mm	16 mm
Diámetro de taladrado en madera	40 mm	40 mm
Gama de apertura del portabrocas	1,5-13 mm	1,5-13 mm
Eje de accionamiento	1/2" x 20	1/2" x 20
Diámetro de cuello de amarre	43 mm	43 mm
Peso de acuerdo con el procedimiento EPTA 01/2014	2,8 kg	2,9 kg
Información sobre ruidos Determinación de los valores de medición según norma EN 62841. El nivel de ruido típico del aparato determinado con un filtro A corresponde a:		
Presión acústica (Tolerancia K=3dB(A))	98 dB (A)	96 dB (A)
Resonancia acústica (Tolerancia K=3dB(A))	109 dB (A)	107 dB (A)
Usar protectores auditivos!		
Informaciones sobre vibraciones Nivel total de vibraciones (suma vectorial de tres direcciones) determinado según EN 62841.		
Taladrado en metal		
Valor de vibraciones generadas a _{h,10}	7,6 m/s ²	10,0 m/s ²
Tolerancia K=	1,5 m/s ²	1,5 m/s ²
taladrado de percusión		
Valor de vibraciones generadas a _{h,10}	17,1 m/s ²	17,8 m/s ²
Tolerancia K=	1,5 m/s ²	1,5 m/s ²

* Medido según norma Milwaukee N 877318

ADVERTENCIA!

El nivel vibratorio indicado en estas instrucciones ha sido medido conforme a un método de medición estandarizado en la norma EN 62841, y puede utilizarse para la comparación entre herramientas eléctricas. También es apropiado para una estimación provisional de la carga de vibración.

El nivel vibratorio indicado representa las aplicaciones principales de la herramienta eléctrica. Si, pese a ello, se utiliza la herramienta eléctrica para otras aplicaciones, con útiles adaptables diferentes o con un mantenimiento insuficiente, el nivel vibratorio puede diferir. Esto puede incrementar sensiblemente la carga de vibración durante todo el periodo de trabajo.

Para una estimación exacta de la carga de vibración deberían tenerse en cuenta también los tiempos durante los que el aparato está apagado o, pese a estar en funcionamiento, no está siendo realmente utilizado. Esto puede reducir sustancialmente la carga de vibración durante todo el periodo de trabajo.

Adopte medidas de seguridad adicionales para la protección del operador frente al efecto de las vibraciones, como por ejemplo: mantenimiento de la herramienta eléctrica y de los útiles adaptables, mantener las manos calientes, organización de los procesos de trabajo.

⚠️ ADVERTENCIA Lea las indicaciones de seguridad, instrucciones, descripciones y datos que se incluyen en el aparato. En caso de no atenderse a las instrucciones siguientes, ello puede provocar una electrocución, incendio y/o lesiones serias. **Guardar todas las advertencias de peligro e instrucciones para futuras consultas.**

⚠️ INSTRUCCIONES DE SEGURIDAD PARA TALADRADORAS

1) Instrucciones de seguridad para todas las operaciones

a) Utilice protectores de oídos al taladrar con percusión.

La exposición a niveles de ruido excesivos puede causar la pérdida de audición.

b) Use la(s) manija(s) auxiliar(es). La pérdida de control de la herramienta puede causar accidentes

c) Únicamente sujete el aparato por las empuñaduras aisladas al realizar trabajos en los que el útil pueda tocar conductores eléctricos ocultos o el propio cable del aparato. El contacto de la perforadora de percusión con un conducto con energía aplicada también podrá poner bajo tensión partes metálicas del aparato y causar un choque eléctrico.

2) Indicaciones de seguridad para el uso de brocas largas

a) Nunca opere a una velocidad superior a la velocidad nominal máxima de la broca. A velocidades más altas, es probable que la broca se doble si se permite que gire libremente sin entrar en contacto con la pieza de trabajo, resultando en lesiones personales.

b) Comience siempre a taladrar a baja velocidad y con la punta de la broca en contacto con la pieza de trabajo. A velocidades más altas, es probable que la broca se doble si se permite que gire libremente sin entrar en contacto con la pieza de trabajo, resultando en lesiones personales.

c) Ejercer presión únicamente en línea directa con la broca y no ejerza una presión excesiva. Las puntas pueden doblarse causando rotura o pérdida de control, resultando en lesiones personales.

Instrucciones adicionales de seguridad y laborales

Utilice el equipamiento de protección. Mientras trabaje con la máquina lleve siempre gafas protectoras. Se recomienda utilizar ropa de protección como máscara protectora contra el polvo, guantes protectores, calzado resistente y antideslizante, casco y protección para los oídos.

Mantener siempre el cable separado del radio de acción de la máquina.

No se deben trabajar materiales que conlleven un riesgo para la salud (por ej. amianto).

Para trabajar en paredes, techo o suelo, tenga cuidado para evitar los cables eléctricos y tuberías de gas o agua.

Fije la pieza de trabajo con un dispositivo de fijación. Las piezas de trabajo no fijadas pueden causar lesiones graves y deterioros.

No usar brocas huecas de diamante con la percusión aplicada.

¡En caso de que se bloquee el útil, el aparato se debe desconectar inmediatamente! No vuelva a conectar el aparato, mientras el útil esté bloqueado; se podría producir un rechazo debido a la reacción de retroceso brusca. Averigüe y elimine la causa del bloqueo del útil, teniendo en cuenta las indicaciones de seguridad.

Causas posibles para ello pueden ser:

- Atascamiento o bloqueo en la pieza de trabajo
- Rotura del material con el que está trabajando.
- Sobrecarga de la herramienta eléctrica

No introduzca las manos en la máquina mientras ésta se encuentra en funcionamiento.

El útil se puede calentar durante el uso.

ADVERTENCIA! Peligro de quemaduras

- en caso de cambiar la herramienta
- en caso de depositar el aparato

Nunca se debe intentar limpiar el polvo o viruta procedente del taladrado con la máquina en funcionamiento.

Desconecte siempre el enchufe antes de llevar a cabo cualquier trabajo en la máquina.

OPERACIÓN

Arranque en frío

Si esta herramienta se almacena durante un periodo prolongado a bajas temperaturas, es posible que no martille inicialmente porque la lubricación se ha vuelto rígida.

Para calentar la herramienta

1. Inserte y bloquee un poco o cincele en la herramienta.

2. Apriete el gatillo y aplique fuerza a la broca o cincele contra una superficie de hormigón o madera durante unos segundos. Suelte el gatillo.

3. Repita esta operación hasta que la herramienta empiece a martillar. Cuanto más fría esté la herramienta, más tiempo tardará en calentarse.

APLICACIÓN DE ACUERDO A LA FINALIDAD

El taladro-atornillador se puede usar universalmente para taladrado normal y taladrado a percusión.

DECLARACIÓN DE CONFORMIDAD CE

Declaramos bajo nuestra única responsabilidad que el producto descrito bajo „Datos técnicos“ cumple todas las disposiciones pertinentes de las directivas

2011/65/UE (RoHS)

2006/42/CE

2014/30/UE

y que se han implementado y estándares

EN 62841-1:2015

EN 62841-2-1:2018+A11:2019

EN 55014-1:2017+A1:2020

EN 55014-2:2015

EN 61000-3-2:2014

EN 61000-3-3:2013

EN IEC 63000:2018



Winnenden, 2020-11-27

Alexander Krug / Managing Director

Autorizado para la redacción de los documentos técnicos.

Techtronic Industries GmbH

Max-Eyth-Straße 10, 71364 Winnenden, Germany

Español

CONEXIÓN ELÉCTRICA

Conecte siempre la máquina a una red protegida por interruptor diferencial y magnetotérmico (FI, RCD, PRCD), para su seguridad personal, según normas establecidas para instalaciones eléctricas de baja tensión.

Conectar solamente a corriente AC monofásica y sólo al voltaje indicado en la placa de características. También es posible la conexión a enchufes sin toma a tierra, dado que es conforme a la Clase de Seguridad II.

Enchufar la máquina a la red solamente en posición desconectada.

MANTENIMIENTO

Las ranuras de ventilación de la máquina deben estar despejadas en todo momento.

Si la máquina se usa principalmente para taladrado a percusión, limpie periódicamente el polvo acumulado en el portabrocas. Para limpiar el polvo, sujete la máquina con el portabrocas mirando verticalmente hacia abajo, y ábralo y ciérrelo completamente. El polvo acumulado caerá del portabrocas. Se recomienda utilizar regularmente un limpiador (designación 4932 6217 19) para las mordazas de sujeción y los alojamientos de éstas.

Si fuera necesario sustituir el cable de alimentación, deberá hacerlo el fabricante o su representante para evitar riesgos para la seguridad.

Utilice solamente accesorios y repuestos Milwaukee. En caso de necesitar reemplazar componentes no descritos, contacte con cualquiera de nuestras estaciones de servicio Milwaukee (consultar lista de servicio técnicos)

En caso necesario, puede solicitar un despiece de la herramienta. Por favor indique el número de impreso que hay en la etiqueta y pida el despiece a la siguiente dirección: Techtronic Industries GmbH, Max-Eyth-Straße 10, 71364 Winnenden, Germany.



SÍMBOLOS



¡ATENCIÓN! ¡ADVERTENCIA! ¡PELIGRO!



Desconecte siempre el enchufe antes de llevar a cabo cualquier trabajo en la máquina.



Lea las instrucciones detenidamente antes de conectar la herramienta



Accesorio - No incluido en el equipo estándar, disponible en la gama de accesorios.



Herramienta eléctrica de la clase de protección II. Herramientas eléctricas, en las que la protección contra un choque eléctrico no depende solamente del aislamiento básico sino también de la aplicación de medidas adicionales de protección, como doble aislamiento o aislamiento reforzado.

n_0

Velocidad en vacío

V

Voltios de CA



Corriente CA



Los aparatos eléctricos no se deben eliminar junto con la basura doméstica. Los aparatos eléctricos y electrónicos se deben recoger por separado y se deben entregar a una empresa de reciclaje para una eliminación respetuosa con el medio ambiente. Infórmese en las autoridades locales o en su tienda especializada sobre los centros de reciclaje y puntos de recogida.



Markado de conformidad europeo



Markado de conformidad británico



Markado de conformidad ucraniano

001

Markado de conformidad euroasiático

CARACTERÍSTICAS TÉCNICAS Berbequim com Percussão	PD2E 22 R (220-240 V)	PD2E 24 R (220-240 V)
Número de produção	4195 71 03... ... 000001-999999	4195 96 03... ... 000001-999999
Potência absorvida nominal	850 W	1020 W
Potência de saída	460 W	540 W
Velocidade em vazio, 1ª velocidade	0-1000 min ⁻¹	0-1000 min ⁻¹
Velocidade em vazio, 2ª velocidade	0-3200 min ⁻¹	0-3200 min ⁻¹
Velocidade de rotação máxima em carga no máx., 1ª velocidade	0-680 min ⁻¹	0-680 min ⁻¹
Velocidade de rotação máxima em carga no máx., 2ª velocidade	0-2100 min ⁻¹	0-2100 min ⁻¹
Frequência de percussão em carga no máx.	40 000 min ⁻¹	40 000 min ⁻¹
Binário de bloqueio estático*	56/30 Nm	60/33 Nm
Ø de furo em betão	20 mm	22 mm
Ø de furo em tijolo e calcário	22 mm	24 mm
Ø de furo em aço	13 mm	16 mm
Ø de furo em madeira	40 mm	40 mm
Capacidade da bucha	1,5-13 mm	1,5-13 mm
Veio da bucha	1/2" x 20	1/2" x 20
Ø da gola de aperto	43 mm	43 mm
Peso nos termos do procedimento-EPTA 01/2014	2,8 kg	2,9 kg
Informações sobre ruído		
Valores de medida de acordo com EN 62841. O nível de ruído avaliado A do aparelho é tipicamente:		
Nível da pressão de ruído (Incertez K=3dB(A))	98 dB (A)	96 dB (A)
Nível da potência de ruído (Incertez K=3dB(A))	109 dB (A)	107 dB (A)
Use protectores auriculares!		
Informações sobre vibração		
Valores totais de vibração (soma dos vectores das três direcções) determinadas conforme EN 62841.		
Furar em metal		
Valor de emissão de vibração a _{h,D}	7,6 m/s ²	10,0 m/s ²
Incerteza K=	1,5 m/s ²	1,5 m/s ²
Furar de impacto em betão		
Valor de emissão de vibração a _{h,D}	17,1 m/s ²	17,8 m/s ²
Incerteza K=	1,5 m/s ²	1,5 m/s ²

* Medido em conformidade com a Milwaukee Norm N 877318

ATENÇÃO!

O nível vibratório indicado nestas instruções foi medido em conformidade com um procedimento de medição normalizado na EN 62841 e pode ser utilizado para comparar entre si ferramentas eléctricas. O mesmo é também adequado para avaliar provisoriamente o esforço vibratório.

O nível vibratório indicado representa as principais aplicações da ferramenta eléctrica. Se, no entanto, a ferramenta eléctrica for utilizada para outras aplicações, com outras ferramentas adaptadas ou uma manutenção insuficiente, o nível vibratório poderá divergir. Isto pode aumentar consideravelmente o esforço vibratório ao longo de todo o período do trabalho.

Para uma avaliação exacta do esforço vibratório devem também ser considerados os tempos durante os quais o aparelho está desligado ou está a funcionar, mas não está efectivamente a ser utilizado. Isto pode reduzir consideravelmente o esforço vibratório ao longo de todo o período do trabalho.

Defina medidas de segurança suplementares para proteger o operador do efeito das vibrações, como por exemplo: manutenção da ferramenta eléctrica e das ferramentas adaptadas, manter as mãos quentes, organização das seqüências de trabalho.



⚠️ ATENÇÃO Ler todas as indicações de segurança, instruções, representações e dados fornecidos juntamente com o aparelho. O desrespeito das seguintes instruções pode levar a um choque eléctrico, incêndio e/ou graves lesões. **Guarde bem todas as advertências e instruções para futura referência.**

⚠️ INSTRUÇÕES DE SEGURANÇA PARA BERBEQUINS

1) Instruções de segurança para todas as operações

a) Use uma protecção dos ouvidos ao usar o berbequim de percussão. Os ruídos podem causar surdez.

b) Utilize a(s) pega(s) auxiliar(es). A perda de controlo pode causar feridas.

c) Ao executar trabalhos durante os quais possam ser atingidos cabos eléctricos ou o próprio cabo de rede, deverá sempre segurar a ferramenta eléctrica pelas superfícies isoladas do punho. O contacto da ferramenta de corte com uma linha sob tensão também pode colocar peças metálicas do aparelho sob tensão e levar a um choque eléctrico.

2) Instruções de segurança para quando se utilizarem brocas compridas

a) Nunca trabalhe a uma velocidade superior à velocidade máxima especificada para a broca. A velocidades mais elevadas, se for deixada a girar livremente sem contacto com a peça de trabalho, a broca pode curvar-se, dando origem a danos corporais.

b) Comece sempre a utilizar a broca a baixa velocidade e com a ponta da mesma em contacto com a peça de trabalho. A velocidades mais elevadas, se for deixada a girar livremente sem contacto com a peça de trabalho, a broca pode curvar-se, dando origem a danos corporais.

c) Pressione apenas de forma diretamente alinhada com a ponta e não aplique pressão excessiva. As brocas podem curvar-se, provocando situações de rotura e perda de controlo conducentes à ocorrência de lesões corporais.

Instruções de segurança e trabalho suplementares

Utilizar equipamento de protecção. Durante os trabalhos com a máquina, usar sempre óculos de protecção. Vestuário de protecção, bem como máscara de pó, sapatos fechados e antiderrapante, capacete e protecção auditiva são recomendados.

Manter sempre o cabo de ligação fora da zona de acção da máquina. Não devem ser processados materiais que representem um perigo para a saúde (p. ex. asbesto).

Ao trabalhar em paredes, tectos e soalhos prestar atenção a que não sejam atingidos cabos eléctricos e canalizações de gás e água.

Fixe a peça a trabalhar com um dispositivo de fixação. Peças a trabalhar não fixadas podem levar a feridas graves e danos sérios.

Ao trabalhar com brocas de coroa diamantadas desligar o mecanismo de percussão.

Desligue o aparelho imediatamente, quando a ferramenta de inserção bloquear! Não ligue o aparelho novamente durante o bloqueio da ferramenta de inserção, pois isso pode levar a um recuo repentino com uma alta força reactiva. Verifique e elimine a causa do bloqueio da ferramenta de inserção, observando as instruções de segurança.

Causas possíveis podem ser:

- Empurramento na peça a trabalhar
- Ruptura do material a processar
- Sobrecarga da ferramenta eléctrica

Não toque na máquina em operação.

A ferramenta de inserção pode ficar quente durante a operação.

ATENÇÃO! Perigo de queimar-se

- na troca das ferramentas
- ao depositar o aparelho

Não remover aparas ou lascas enquanto a máquina trabalha.

Antes de efectuar qualquer intervenção na máquina, tirar a ficha da tomada.

FUNCIONAMENTO

Arranque a Frio

Se esta ferramenta for armazenada por um período prolongado ou a baixas temperaturas, é possível que não martele bem inicialmente, devido ao endurecimento do lubrificante.

Para aquecer a ferramenta

1. Insira um escopro ou cinzel na ferramenta.

2. Puxe o gatilho e aplique força no escopro ou cinzel, contra uma superfície de betão ou madeira, durante alguns segundos. Solte o gatilho.

3. Repita até que a ferramenta comece a martelar. Quanto mais fria a ferramenta estiver, mais tempo demorará a aquecer.

UTILIZAÇÃO AUTORIZADA

O berbequi aparafusador com percussão tem aplicação universal para furar e furar com percussão.

DECLARAÇÃO DE CONFORMIDADE CE

Declaramos, sob a nossa inteira responsabilidade, que o produto descrito em «Dados Técnicos» cumpre todas as disposições relevantes das diretivas

2011/65/UE (RoHS)

2006/42/CE

2014/30/UE

tendo sido seguidas as seguintes normas harmonizadas

EN 62841-1:2015

EN 62841-2-1:2018+A11:2019

EN 55014-1:2017+A11:2020

EN 55014-2:2015

EN 61000-3-2:2014

EN 61000-3-3:2013

EN IEC 63000:2018



Winnenden, 2020-11-27

Alexander Krug / Managing Director

Autorizado a reunir a documentação técnica.

Techtronic Industries GmbH

Max-Eyth-Straße 10, 71364 Winnenden, Germany

LIGAÇÃO À REDE

Aparelhos não estacionários, utilizados ao ar livre, devem ser protegidos por um disjuntor de corrente de defeito (FI, RCD, PRCD). Só conectar à corrente alternada monofásica e só à tensão de rede indicada na placa de potência. A conexão às tomadas de rede sem contacto de segurança também é possível, pois trata-se de uma construção da classe de protecção II.

Ao ligar à rede, a máquina deve estar desligada.

MANUTENÇÃO

Manter desobstruídos os rasgos de ventilação na carcaça da máquina.

Se a máquina for principalmente usada para furação com percussão, remova com regularidade a poeira acumulada na bucha. Para remover a poeira segure a máquina com a bucha a apontar para baixo verticalmente, e abra e feche completamente a bucha. A poeira acumulada irá cair da bucha. É recomendável usar regularmente um dispositivo de limpeza (ref. n.º. 4932 6217 19). Para as garras de aperto e para as limalhas das mesmas.

Se for necessário substituir o cabo de alimentação, a substituição terá de ser feita pelo fabricante ou pelo agente do mesmo, a fim de se evitar que ocorra algum risco de segurança.

Utilizar apenas acessórios Milwaukee e peças sobresselentes Milwaukee. Os componentes cuja substituição não esteja descrita devem ser substituídos num serviço de assistência técnica Milwaukee (consultar a brochura relativa à garantia/moradas dos serviços de assistência técnica).

A pedido e mediante indicação da referência que consta da chapa de características da máquina, pode requerer-se um desenho explosivo da ferramenta eléctrica a: Techtronic Industries GmbH, Max-Eyth-Straße 10, 71364 Winnenden, Germany.

SYMBOLS



ATENÇÃO! PERIGO!



Antes de efectuar qualquer intervenção na máquina, tirar a ficha da tomada.



Leia atentamente o manual de instruções antes de colocar a máquina em funcionamento.



Acessório - Não incluído no equipamento normal, disponível como acessório.



Ferramenta eléctrica da classe de protecção II. Ferramenta eléctrica, na qual a protecção contra choque eléctrico não só depende do isolamento básico, mas também da aplicação de medidas de protecção suplementares, como isolamento duplo ou reforçado.

n_0

Velocidade em vazio

V

Volts de CA



Corrente alternada



Aparelhos eléctricos não devem ser jogados no lixo doméstico. Aparelhos eléctricos e electrónicos devem ser colectados separadamente e entregues a uma empresa de reciclagem para a eliminação correcta. Solicite informações sobre empresas de reciclagem e postos de colecta de lixo das autoridades locais ou do seu vendedor autorizado.



Marca de Conformidade Europeia



Marca de Conformidade Britânica



Marca de Conformidade Ucraniana

001



Marca de Conformidade Eurasiática



TECHNISCHE GEGEVENS Slagboormachine	PD2E 22 R (220-240 V)	PD2E 24 R (220-240 V)
Productienummer	4195 71 03... ... 000001-999999	4195 96 03... ... 000001-999999
Nominaal afgegeven vermogen	850 W	1020 W
Afgegeven vermogen	460 W	540 W
Onbelast toerental, 1e versnelling	0-1000 min ⁻¹	0-1000 min ⁻¹
Onbelast toerental, 2e versnelling	0-3200 min ⁻¹	0-3200 min ⁻¹
Belast toerental max., 1e versnelling	0-680 min ⁻¹	0-680 min ⁻¹
Belast toerental max., 2e versnelling	0-2100 min ⁻¹	0-2100 min ⁻¹
Aantal slagen belast max.	40 000 min ⁻¹	40 000 min ⁻¹
Statisch draaimoment*	56/30 Nm	60/33 Nm
Boor-Ø in beton	20 mm	22 mm
Boor-Ø in tegel en kalkzandsteen	22 mm	24 mm
Boor-Ø in staal	13 mm	16 mm
Boor-Ø in hout	40 mm	40 mm
Spanwijdte boorhouder	1,5-13 mm	1,5-13 mm
Booras	1/2" x 20	1/2" x 20
Spanhals-Ø	43 mm	43 mm
Gewicht volgens de EPTA-procedure 01/2014	2,8 kg	2,9 kg
Geluidsinformatie		
Meetwaarden vastgesteld volgens EN 62841. Het kenmerkende A-gewogen geluidsniveau van de machine bedraagt:		
Geluidsdrukniveau (Onzekerheid K=3dB(A))	98 dB (A)	96 dB (A)
Geluidsvermogniveau (Onzekerheid K=3dB(A))	109 dB (A)	107 dB (A)
Draag oorbeschermers!		
Trillingsinformatie		
Totale trillingswaarden (vectorsom van drie richtingen bepaald volgens EN 62841.		
Boren in metaal		
Trillingsemisiewaarde a _{h,d}	7,6 m/s ²	10,0 m/s ²
Onzekerheid K=	1,5 m/s ²	1,5 m/s ²
Slagboren in beton		
Trillingsemisiewaarde a _{h,10}	17,1 m/s ²	17,8 m/s ²
Onzekerheid K=	1,5 m/s ²	1,5 m/s ²

* Gemeten volgens de Milwaukee norm N 877318

WAARSCHUWING!

De in deze aanwijzingen vermelde trillingsdruk is gemeten volgens een in EN 62841 genormeerde meetmethode en kan worden gebruikt voor de onderlinge vergelijking van apparaten. Hij is ook geschikt voor een voorlopige inschatting van de trillingsbelasting.

De aangegeven trillingsdruk geldt voor de meest gebruikelijke toepassingen van het elektrische apparaat. Wanneer het elektrische gereedschap echter voor andere doeleinden, met andere dan de voorgeschreven hulpstukken gebruikt of niet naar behoren onderhouden wordt, kan de trillingsdruk afwijken. Dit kan de waarde van de trillingsdruk over de hele werkperiode aanzienlijk verhogen.

Voor een nauwkeurige inschatting van de trillingsdruk moeten ook de tijden in aanmerking worden genomen dat het apparaat uitgeschakeld is of weliswaar loopt, maar niet werkelijk in gebruik is. Dit kan de waarde van de trillingsdruk over de hele werkperiode aanzienlijk verminderen.

Bepaal extra veiligheidsmaatregelen ter bescherming van de bediener tegen de inwerking van trillingen, bijvoorbeeld: onderhoud van elektrische gereedschappen en apparaten, warmhouden van de handen, organisatie van de werkprocessen.

⚠ WAARSCHUWING Lees en bekijk alle veiligheidsaanwijzingen, aanwijzingen, afbeeldingen en gegevens die u bij het apparaat ontvangt. Als u de volgende aanwijzingen niet in acht neemt, kunnen een elektrische schok, brand en/of ernstig letsel het gevolg zijn. **Bewaar alle waarschuwingen en voorschriften voor toekomstig gebruik.**

⚠ VEILIGHEIDSLINSTRUCTIES VOOR BOORMACHINES

1) Veiligheidsinstructies voor alle bewerkingen

a) Draag gehoorbescherming tijdens het klopboren.

Lawaai kan gehoorverlies veroorzaken.

b) Gebruik de extra handgre(p)en. Verlies aan controle kan tot persoonlijk letsel leiden.

c) **Houd het elektrische gereedschap alleen vast aan de geïsoleerde greepvlakken als u werkzaamheden uitvoert waarbij het inzetgereedschap verborgen stroomleidingen of de eigen netkabel kan raken.** Het contact van het snijgereedschap met een spanningvoerende leiding kan de metalen apparaatdelen onder spanning zetten en zo tot een elektrische schok leiden.

2) Veiligheidsinstructies bij het gebruik van lange boren

a) **Werk nooit met een hoger toerental dan het maximumtoerental van de boor.** Bij hogere snelheden buigt de boor waarschijnlijk door als deze vrij kan draaien zonder contact met het werkstuk, wat persoonlijk letsel tot gevolg heeft.

b) **Boor altijd met lage snelheid en met de punt van de boor in contact met het werkstuk.** Bij hogere snelheden buigt de boor waarschijnlijk door als deze vrij kan draaien zonder contact met het werkstuk, wat persoonlijk letsel tot gevolg heeft.

c) **Druk alleen in directe lijn met de boor uitoefenen en geen overmatige druk uitoefenen.** Boren kunnen buigen, wat kan leiden tot breuk of verlies van controle, met persoonlijk letsel als gevolg.

Verdere veiligheids- en werkinstructies

Draag veiligheidsuitrusting. Bij werkzaamheden met de machine dient u altijd een veiligheidsbril te dragen. Veiligheidskleding zoals stofmasker, veiligheidshandschoenen, stevig en slipvast schoeisel, helm en gehoorbescherming worden aanbevolen.

Snoer altijd buiten werkbereik van de machine houden.

Het is niet toegestaan, materialen te bewerken waarvan een gezondheidsgevaar uitgaat (bijv. asbest).

Bij het werken in wanden, plafonds of vloeren oppassen voor elektriciteitsdraden, gas- of waterleidingen.

Borg uw werkstuk met behulp van een spaninrichting Niet geborgde werkstukken kunnen ernstig letsel en grote schade veroorzaken.

Bij het boren met diamant boorkronen het slagwerk uitschakelen.

Schakel het apparaat onmiddellijk uit als het gereedschap geblokkeerd is; dit zou een terugslag met een hoog reactiemoment kunnen veroorzaken. Achterhaal en verhelp de oorzaak voor de blokkering van het gereedschap met inachtneming van de veiligheidsinstructies.

Mogelijke oorzaken zijn:

- kantelen in het te bewerken werkstuk
- Doorbreken van het te bewerken materiaal

• overbelasting van het elektrische gereedschap
Grijp niet in de lopende machine.

Het gereedschap kan heet worden tijdens het gebruik.

WAARSCHUWING! Gevaar voor verbranding

- bij het vervangen van het gereedschap
- bij het neerleggen van het apparaat

Spanen of splinters mogen bij draaiende machine niet worden verwijderd.

Voor alle werkzaamheden aan de machine de stekker uit de contactdoos trekken.

BEDIENING

Koude start

Als dit gereedschap gedurende een lange periode of bij koude temperaturen wordt bewaard, mag de slagboorfunctie in eerste instantie niet worden gebruikt, omdat de smering is verhard.

Het gereedschap opwarmen

1. Steek een boor of beitel in het gereedschap en vergrendel het inzetgereedschap.
2. Bedien de AAN/UIT-schakelaar en oefen gedurende enkele seconden kracht uit op de boor of de beitel tegen een betonnen of houten oppervlak. Laat de AAN/UIT-schakelaar los.
3. Herhaal dit tot de slagboorfunctie van het gereedschap functioneert. Hoe kouder het gereedschap is, hoe langer het duurt tot het is opgewarmd.

VOORGESCHREVEN GEBRUIK VAN HET SYSTEEM

De slagboormachine is universeel te gebruiken voor boren en slagboren

EC - VERKLARING VAN OVEREENSTEMMING

We verklaren geheel onder eigen verantwoordelijkheid dat het product in de "Technische data" voldoet aan alle relevante bepalingen van de richtlijnen

2011/65/EU (RoHS)

2006/42/EG

2014/30/EU

en de volgende geharmoniseerde normen zijn gebruikt.

EN 62841-1:2015

EN 62841-2-1:2018+A11:2019

EN 55014-1:2017+A11:2020

EN 55014-2:2015

EN 61000-3-2:2014

EN 61000-3-3:2013

EN IEC 63000:2018



Winnenden, 2020-11-27

Alexander Krug / Managing Director

Gemachtigd voor samenstelling van de technische documenten

Techtronic Industries GmbH

Max-Eyth-Straße 10, 71364 Winnenden, Germany



NETAANSLUITING

Verplaatsbaar gereedschap moet bij het gebruik buiten aan een aardlekschakelaar (FI,RCD,PRCD) aangesloten worden.

Uitsluitend op éénfase-wisselstroom en uitsluitend op de op het typeplaatje aangegeven netspanning aansluiten. Aansluiting is ook mogelijk op een stekerdoos zonder aardcontact mogelijk, omdat het is ontworpen volgens veiligheidsklasse II.

Machine alleen uitgeschakeld aan het net aansluiten.



Europees symbool van overeenstemming

Brits symbool van overeenstemming

Oekraïens symbool van overeenstemming



Euro-Aziatisch symbool van overeenstemming

ONDERHOUD

Altijd de luchtspleten van de machine schoonhouden.

Bij intensief slagboorwerk de boorhouder regelmatig van stof 'bevrijden'. Hiervoor de machine met de boorhouder loodrecht naar beneden houden en de boorhouder dan over het totale spanbereik openen en sluiten. Het verzamelde stof valt zo uit de boorhouder.

Regelmatige toepassing van reinigingsspray (artikelnummer 4932-6217-19) op de spanbekken en spanbekkenboringen wordt aanbevolen.

Als het netsnoer moet worden vervangen, moet dit door de fabrikant of de vertegenwoordiger worden gedaan om veiligheidsrisico's te voorkomen.

Gebruik uitsluitend Milwaukee toebehoren en onderdelen. Indien componenten die moeten worden vervangen niet zijn beschreven, neem dan contact op met een officieel Milwaukee servicecentrum (zie onze lijst met servicecentra).

Onder vermelding van het nummer op het machineplaatje is desgewenst een doorsnedetekening van de machine verkrijgbaar bij: Technic Industries GmbH, Max-Eyth-Straße 10, 71364 Winnenden, Germany.



SYMBOLEN



OPGELET! WAARSCHUWING! GEVAAR!



Voor alle werkzaamheden aan de machine de stekker uit de kontaktdoos trekken.



Graag instructies zorgvuldig doorlezen vóórdat u de machine in gebruik neemt.



Toebehoren - Wordt niet meegeleverd. Is apart leverbaar. Zie hiervoor het toebehorenprogramma.



Elektrisch gereedschap van de beschermingsklasse II. Elektrisch gereedschap waarbij de bescherming tegen elektrische schokken niet afhankelijk is van de basisisolatie, maar waarin ook extra veiligheidsmaatregelen worden toegepast zoals dubbele of versterkte isolatie.

n₀

Onbelast toerental

V

Spanning



Wisselstroom



Elektrische apparaten mogen niet via het huisafval worden afgevoerd. Elektrische en elektronische apparaten moeten gescheiden worden verzameld en voor een milieuvriendelijke afvoer worden afgegeven bij een recyclingbedrijf. Informeer bij uw gemeente of bij uw vakhandelaar naar recyclingbedrijven en inzamelpunten.

TEKNISKE DATA Slagboremaskine	PD2E 22 R (220-240 V)	PD2E 24 R (220-240 V)
Produktionsnummer	4195 71 03... ... 000001-999999	4195 96 03... ... 000001-999999
Nominel optagen effekt	850 W	1020 W
Afgiven effekt	460 W	540 W
Omdrejningstal, ubelastet, 1. gear	0-1000 min ⁻¹	0-1000 min ⁻¹
Omdrejningstal, ubelastet, 2. gear	0-3200 min ⁻¹	0-3200 min ⁻¹
Omdrejningstal belastet maks., 1. gear	0-680 min ⁻¹	0-680 min ⁻¹
Omdrejningstal belastet maks., 2. gear	0-2100 min ⁻¹	0-2100 min ⁻¹
Slagantal belastet maks.	40 000 min ⁻¹	40 000 min ⁻¹
Statisk blokeringsmoment*	56/30 Nm	60/33 Nm
Bor-ø i beton	20 mm	22 mm
Bor-ø i tegl og kalksandsten	22 mm	24 mm
Bor-ø i stål	13 mm	16 mm
Bor-ø i træ	40 mm	40 mm
Borepatronspændevide	1,5-13 mm	1,5-13 mm
Borespindel	1/2" x 20	1/2" x 20
Halsdiameter	43 mm	43 mm
Vægt svarer til EPTA-procedure 01/2014	2,8 kg	2,9 kg
Støjinformation		
Måleværdier beregnes iht. EN 62841. Værktøjets A-vurderede støjniveau er typisk:		
Lydtrykniveau (Usikkerhed K=3dB(A))	98 dB (A)	96 dB (A)
Lydeffekt niveau (Usikkerhed K=3dB(A))	109 dB (A)	107 dB (A)
Brug høreværn!		
Vibrationsinformation		
Samlede vibrationsværdier (værdisum for tre retninger) beregnet iht. EN 62841.		
Boring i metal		
Vibrationseksponering a _{h,d}	7,6 m/s ²	10,0 m/s ²
Usikkerhed K=	1,5 m/s ²	1,5 m/s ²
Slagboring i beton		
Vibrationseksponering a _{h,10}	17,1 m/s ²	17,8 m/s ²
Usikkerhed K=	1,5 m/s ²	1,5 m/s ²

* Målt i. h. t. Milwaukee Norm N 877318

ADVARSEL!

Svingningsniveauet, som er angivet i disse anvisninger, er målt i henhold til standardiseret måleprocedure ifølge EN 62841 og kan anvendes til indbyrdes sammenligning mellem el-værktøjer. Svingningsniveauet er ligeledes egnet som foreløbigt skøn over svingningsbelastningen. Det angivne svingningsniveau er baseret på el-værktøjets primære anvendelsesformål. Hvis el-værktøjet benyttes til andre formål, med andet indsatsværktøj eller ikke vedligeholdes tilstrækkeligt, kan svingningsniveauet afvige. Dette kan øge svingningsbelastningen over den samlede arbejdsperiode betydeligt.

For en nøjagtig vurdering af svingningsbelastningen skal der også tages højde for de tidsperioder, hvor apparatet er slukket, eller hvor apparatet kører, men uden at være i anvendelse. Dette kan reducere svingningsbelastningen over den samlede arbejdsperiode betydeligt. Supplerende sikkerhedsforanstaltninger til beskyttelse af brugeren mod påvirkninger fra svingninger skal iværksættes, f.eks.: Vedligeholdelse af el-værktøj og indsatsværktøj, varmholdelse af hænder, organisering af arbejdsprocesser.



⚠ ADVARSEL Læs alle sikkerhedsanvisninger, anvisninger, instruktioner og data, der følger med enheden. Overholder du ikke følgende instruktioner, kan du få elektrisk stød, der kan opstå brand og/eller du kan blive kvæstet alvorligt.

Opbevar alle advarselshenvisninger og instrukser til senere brug.

⚠ SIKKERHEDSANVISNINGER FOR ARBEJDE MED BOREMASKINER

1) Sikkerhedsanvisninger for alle brugssituationer

a) Brug høreværn under slagboring. Støjen kan føre til nedsat hørelse.

b) Brug hjælpehåndtaget/-ene. Hvis kontrollen mistes, kan det medføre personskade.

c) Hold altid kun elværktøjet i de isolerede gribeblader, når du udfører arbejde, hvor indsatsværktøjet kan ramme bøjede strømledninger eller værktøjets eget kabel. Kommer skærværktøjet i kontakt med en strømførende ledning, kan maskinens metaldele komme under spænding og give elektrisk stød.

2) Sikkerhedsanvisninger ved brug af lange borebits

a) Kom aldrig op på en højere hastighed, end angives for borebittens maksimale hastighed. Ved højere hastigheder kan bittens blive bøjet, hvis den får lov til at rotere frit uden kontakt med arbejdsemnet, hvilket kan føre til personskade.

b) Start altid med at bore ved en lav hastighed og med bittens spids i kontakt med arbejdsemnet. Ved højere hastigheder kan bittens blive bøjet, hvis den får lov til at rotere frit uden kontakt med arbejdsemnet, hvilket kan føre til personskade.

c) Påfør kun tryk i direkte linje med bittens og tryk ikke for hårdt. Bits kan bøje, hvilket kan forårsage brud eller at kontrollen mistes, og føre til personskade.

Yderligere sikkerheds- og arbejdsinformationer

Brug beskyttelsesudstyr. Bær altid sikkerhedsbriller, når du arbejder med maskinen. Vi anbefaler desuden brug af personlig beskyttelsesudrustning, såsom støvmaske, sikkerhedshandsker, fast og skridsikkert skotøj, hjelm og høreværn.

Tilslutningskablet holdes hele tiden væk fra maskinens arbejdsområde. Kablet ledes altid bort bag om maskinen.

Der må ikke bearbejdes nogen materialer, der kan udgøre en sundhedsrisiko (f.eks. asbest).

Ved arbejdeboring i væg, loft eller gulv skal man passe på elektriske kabler, gas- og vandledninger.

Sørg for at sikre dit emne med en spændeanordning. Ikke sikrede emner kan forårsage alvorlige kvæstelser og beskadigelser.

Slagfrakobling ved arbejde med diamantborekroner.

Sluk straks for maskinen, hvis indsatsværktøjet er blokeret! Tænd ikke for maskinen igen, så længe indsatsværktøjet er blokeret; dette kan føre til et tilbageslag med højt reaktionsmoment. Find frem til og afhjælp årsagen til indsatsværktøjets blokering under hensyntagen til sikkerhedsinstruktionerne.

Mulige årsager herfor kunne være:

- at det sidder i klemme i emnet der bearbejdes
- Gennembrud af det materiale, som skal bearbejdes
- at el-værktøjet er overbelastet

Grib ikke ind i maskinen, når den kører.

Indsatsværktøjet kan blive varmt under brugen.

ADVARSEL! Fare for forbrændinger

- ved værktøjsskift
- når man lægger maskinen fra sig

Spåner eller splinter må ikke fjernes, medens maskinen kører.

Før ethvert arbejde ved maskinen skal stikket tages ud af stikdåsen.

BETJENING

Kold start

Hvis dette værktøj opbevares i en længere periode eller ved kolde temperaturer, kan det muligvis ikke hamre i starten, fordi smøremiddel er stivnet.

Opvarmning af værktøjet

1. Indsæt og løs en bit eller en mejsel ind i værktøjet.

2. Tryk på startknappen og udøv kraft på bittens eller mejslens mod en beton- eller træoverflade i et par sekunder. Giv slip på startknappen.

3. Gentag, indtil værktøjet begynder at hamre. Jo koldere værktøjet er, jo længere vil det tage at varme op.

TILTÆNKT FORMÅL

Slagboremaskine kan bruges universelt til boring og slagboring.

CE-KONFORMITETSERKLÆRING

Vi erklærer som eneansvarlige, at produktet, som beskrives under „Tekniske data“, opfylder alle de relevante bestemmelser i direktiverne 2011/65/EU (RoHS)

2006/42/EF

2014/30/EU

og følgende harmoniserede standarder er blevet anvendt.

EN 62841-1:2015

EN 62841-2-1:2018+A11:2019

EN 55014-1:2017+A11:2020

EN 55014-2:2015

EN 61000-3-2:2014

EN 61000-3-3:2013

EN IEC 63000:2018



Winnenden, 2020-11-27

Alexander Krug / Managing Director

Autoriseret til at udarbejde de tekniske dokumenter.

Techtronic Industries GmbH

Max-Eyth-Straße 10, 71364 Winnenden, Germany

NETTILSLUTNING

Stikdåser udenørs skal være forsynet med fejlstrømssikringskontakter (FI, RCD, PRCD). Det forlanger installationsforskriften for Deres elektroanlæg. Overhold dette, når De bruger vores maskiner.

Tilslutning må kun foretages til enfasnet vekselstrøm og kun til en netspænding, som er i overensstemmelse med angivelsen på mærkepladen. Tilslutning kan også ske til stikdåser uden beskyttelseskontakt, da kapslingsklasse II foreligger.

Maskinen slutes kun udkoblet til stikdåsen.

Dansk

VEDLIGEHOLDELSE

Hold altid maskinens ventilationsåbninger rene.

Ved hyppig slagboredrift bør borepatronen renses regelmæssigt for støv. Dette gøres ved at borepatronen på maskinen holdes lodret nedad og åbne og lukke borepatronen i hele spændeområdet. På denne måde falder støvet ud af borepatronen. Det anbefales at benytte rengøringspray jævnligt (id.nr. 4932 6217 19) ved spændekæberne og spændekæbehullerne.

Hvis det er nødvendigt at udskifte el-ledningen, skal dette gøres af producenten eller af en af dennes repræsentanter for at undgå fare for sikkerheden.

Brug kun Milwaukee-tilbehør og Milwaukee-reservedele. Komponenter, hvor udskiftningsproceduren ikke er beskrevet, skal skiftes ud hos et Milwaukee-servicested (se brochure garanti/kundeserviceadresser).

Ved opgivelse af type nr. der er angivet på maskinens effektskilt, kan de rekvirere en reservedelstegning, ved henvendelse til: Techtronic Industries GmbH, Max-Eyth-Straße 10, 71364 Winnenden, Germany.

SYMBOLER



VIGTIGT! ADVARSEL! FARE!



Før ethvert arbejde ved maskinen skal stikket tages ud af stikdåsen.



Læs brugsanvisningen nøje før ibrugtagning.



Tilbehør - Ikke inkluderet i leveringsomfanget, køb købes som tilbehør.



Kapslingsklasse II elværktøj. Elværktøj, hvor beskyttelsen mod et elektrisk stød ikke kun afhænger af basisisoleringen men også af, at der anvendes yderligere beskyttelsesforanstaltninger som dobbelt isolering eller forstærket isolering.

n₀

Omdrejningstal, ubelastet

V

Veksel-spænding



Vekselstrøm



Elektrisk udstyr må ikke bortskaffes sammen med det almindelige husholdningsaffald. Elektrisk og elektronisk udstyr skal indsamles særskilt og afleveres hos en genbrugsvirksomhed til en miljømæssig forsvarlig bortskaffelse. Spørg de lokale myndigheder eller din forhandler om genbrugsstationer og indsamlingssteder til sådant affald.



Europæisk konformitetsmærke



Britisk konformitetsmærke



Ukrainsk konformitetsmærke



Eurasisk konformitetsmærke



TEKNISKE DATA Slagbormaskin	PD2E 22 R (220-240 V)	PD2E 24 R (220-240 V)
Produksjonsnummer	4195 71 03... ... 000001-999999	4195 96 03... ... 000001-999999
Nominell inngangseffekt	850 W	1020 W
Avgitt effekt	460 W	540 W
Tomgangsturtall, 1. gir	0-1000 min ⁻¹	0-1000 min ⁻¹
Tomgangsturtall, 2. gir	0-3200 min ⁻¹	0-3200 min ⁻¹
Lastturtall maks., 1. gir	0-680 min ⁻¹	0-680 min ⁻¹
Lastturtall maks., 2. gir	0-2100 min ⁻¹	0-2100 min ⁻¹
Lastslag tall maks.	40 000 min ⁻¹	40 000 min ⁻¹
Statisk blokkeringsmoment*	56/30 Nm	60/33 Nm
Bor-ø i betong	20 mm	22 mm
Bor-ø i tegl og kalksandstein	22 mm	24 mm
Bor-ø i stål	13 mm	16 mm
Bor-ø i treverk	40 mm	40 mm
Chuckspenområde	1,5-13 mm	1,5-13 mm
Borspindel	1/2" x 20	1/2" x 20
Spennhals-ø	43 mm	43 mm
Vekt i henhold til EPTA-Proseduren 01/2014	2,8 kg	2,9 kg
Støyinformasjon		
Måleverdier fastslått i samsvar med EN 62841. Det typiske A-bedømte støynivået for maskinen er:		
Lydtryknivå (Usikkerhet K=3dB(A))	98 dB (A)	96 dB (A)
Lydeffektnivå (Usikkerhet K=3dB(A))	109 dB (A)	107 dB (A)
Bruk hørselsvern!		
Vibrasjonsinformasjoner		
Totale svingningsverdier (vektorsum fra tre retninger) beregnet jf. EN 62841.		
Boring i metall		
Svingningsemissjonsverdi a _{n,d}	7,6 m/s ²	10,0 m/s ²
Usikkerhet K=	1,5 m/s ²	1,5 m/s ²
Slagboring i betong		
Svingningsemissjonsverdi a _{n,10}	17,1 m/s ²	17,8 m/s ²
Usikkerhet K=	1,5 m/s ²	1,5 m/s ²

* Målt etter Milwaukee standard N 877318

ADVARSEL!

Svingningsnivået som er angitt i denne instruksjonen er målt i overensstemmelse med målemetoden normert i direktiv EN 62841 og kan brukes til å sammenligne elektromaskiner med hverandre. Den egner seg også for en foreløbig vurdering av svingningsbelastningen.

Det angitte svingningsnivået representerer de hovedsaklige bruk av elektroverktøyet. Men anvendes elektroverktøyet for andre bruk med avvikende utskiftbare verktøy eller vedlikeholdet er utilstrekkelig, kan svingningsnivået være avvikende.

Dette kan forhøye svingningsbelastning betydelig over hele arbeidsperioden. For en nøyaktig vurdering av svingningsbelastningen må også det tas hensyn til tiden apparatet er avslått eller står på, men ikke er i bruk. Dette kan redusere svingningsbelastningen betydelig over hele arbeidsperioden.

Innfor også ekstra sikkerhetstiltak for å beskytte bruker mot utvirkingen av svingningene. Disse kan f.eks. være: vedlikehold av elektroverktøyet og det utskiftbare verktøyet, holde hendene varme, organisasjon av arbeidsforløpet.

⚠ ADVARSEL Les alle sikkerhetsanvisninger, instruksjoner, bildeforklaringer og data som fulgte med maskinen. Hvis du ikke følger følgende anvisninger, kan det oppstå elektriske støt, ild og/eller store skader.

Ta godt vare på alle advarslene og informasjonene.

⚠ SIKKERHETSINSTRUKSER FOR BOREMASKINER

1) Sikkerhetsregler for alle arbeidere

a) Bruk hørselsvern ved bruk av slagboret. Støy kan føre til tap av hørselen.

b) Bruk hjelpehåndtak(ene). Tap av kontrollen kan føre til skader.

c) Ta kun tak i elektroverktøyet på de isolerte gripeflatene, hvis du utfører arbeid der innsatsverktøyet kan treffe på skjulte strømledninger eller den egne strømledningen.

Kontakt med en ledning som er under spenning, kan også sette metalldelel til apparatet under spenning og føre til et elektrisk slag.

2) Sikkerhetsanvisninger ved bruk av lange drillbits

a) Bruk aldri høyere hastighet enn den maksimale hastigheten som er angitt på drillbitsen. Høyere hastigheter kan fort føre til at bitsen blir bøyd hvis den roterer fritt uten kontakt til emne - det kan føre til personskade.

b) Start alltid med drillingen ved lav hastighet og mens bitsen er i kontakt med arbeidsemne. Høyere hastigheter kan fort føre til at bitsen blir bøyd hvis den roterer fritt uten kontakt til emne - det kan føre til personskade.

c) Utøv press kun i direkte forlengelse av bitsen og ikke påfør overdrevent press. Bits kan bli bøyd og knekke, noe som fører til at man mister kontrollen og blir utsatt for faren for personskade.

Ytterlige sikkerhets- og arbeidsinstruksjoner

Bruk vernebekledning. Ta alltid på vernebrille ved bruk av maskinen. Vernebekledning så vel som støvmaske, vernehansker, fast og sklisikkert skotøy, hjem og hørselsvern er anbefalt.

Hold ledningen alltid vekk fra maskinens virkeområde. Før ledningen alltid bakover fra maskinen.

Materialer som er helsefarlig skal ikke bearbeides (f.eks.. asbest)

Pass på kabler, gass- og vannledninger når du arbeider i vegger, tak eller gulv.

Klem fast arbeidsemnet med en spenninnetning. Ikke sikre arbeidsemner kan ha alvorlige helseskader og skader av material til følge.

Kople ut slagverket når du arbeider med diamantborkroner.

Slå av apparatet med en gang dersom det isatte verktøyet er blokkert! Ikke slå apparatet på igjen så lenge det isatte verktøyet er blokkert; her kan det oppstå et tilbakeslag med høyt reaksjonsmoment. Finn ut hvorfor det isatte verktøyet blokkerer og fjern årsaken til dette. Ta herved hensyn til sikkerhetsinstruksene.

Mulige årsaker kan være:

- det har forkantet seg i arbeidsemnet som bearbeides
- Gjennombrytning av materialet som bearbeides
- elektroverktøyet er overbelastet

Ikke grip inn i maskinen når den står på og går.

Isatt verktøyet kan i bruk bli veldig varmt.

ADVARSEL! Fare for forbrenning

- ved skifting av verktøy
- når apparatet legges ned

Spon eller fliser må ikke fjernes mens maskinen er i gang.

Trekk støpslet ut av stikkkontakten før du begynner arbeider på maskinen.

BRUK

Kaldstart

Hvis dette verktøyet lagres i en lengre periode eller ved kalde temperaturer, kan det ikke hamre med en gang fordi smøringen er blitt stiv.

Å varme opp verktøyet

1. Sett inn og løs en krone eller meisel i verktøyet.
2. Trekk i startbryteren og bruk kraft på kronen eller meiselen mot en betong- eller treoverflate i noen sekunder. Slipp startbryteren.
3. Gjenta til verktøyet begynner å hamre. Jo kaldere verktøyet er, desto lenger tid vil det ta å varme det opp.

FORMÅLSMESSIG BRUK

Slagbormaskinen kan brukes universelt til boring og slagboring.

CE-SAMSVARERKLÆRING

Vi erklærer i alene ansvar at produktet beskrevet i „Tekniske data“ overensstemmer med alle relevante forskrifter til Eu direktiv 2011/65/EU (RoHS)

2006/42/EC

2014/30/EU

og de følgende harmoniserte normative dokumentene. fyrstikker

EN 62841-1:2015

EN 62841-2-1:2018+A11:2019

EN 55014-1:2017+A11:2020

EN 55014-2:2015

EN 61000-3-3-2:2014

EN 61000-3-3:2013

EN IEC 63000:2018



Winnenden, 2020-11-27

Alexander Krug / Managing Director

Autorisert til å utarbeide den tekniske dokumentasjonen

Techtronic Industries GmbH

Max-Eyth-Straße 10, 71364 Winnenden, Germany

NETTILKOPLING

Stikkontakter utendørs må være utstyrt med feilstrøm-sikkerhetsbryter (FI, RCD, PRCD). Dette forlanges av installasjonsforskriften for elektroanlegg. Vennligst følg dette når du bruker vårt apparat.

Skal bare tilsluttes enfasevekselstrøm og bare til den på skiltet angitte nettspenning. Tilslutning til stikkkontakten uten jordet kontakt er mulig fordi beskyttelse beskyttelsesklasse II er forhanden.

Maskinen må være slått av når den koples til stikkkontakten.



VEDLIKEHOLD

Hold alltid lufteråpningene på maskinen rene.

Ved hyppig slagboredrift bør chucken befri regelmessig for støv. Hold da maskinen med chucken loddrett nedover og åpne og lukk chucken over hele spennvidden. Det oppsamlete støvet faller da ut av chucken. Regelmessig bruk av rengjøringspray (ld.nr. 4932 6217 19) på spennkjevene og spennkjevehullene anbefales.

Hvis strømledningen er skadet, må den skiftes av produsenten, servicerepresentanten eller tilsvarende kvalifisert person for å unngå fare.

Bruk kun Milwaukee tilbehør og Milwaukee reservedeler. Komponenter der utskiftning ikke er beskrevet skal skiftes ut hos Milwaukee kundeservice (se brosjyre garanti/kundeserviceadresser).

Ved behov kan du be om en eksplosjonstegning av apparatet hos din kundeservice eller direkte hos Techtronic Industries GmbH, Max-Eyth-Straße 10, 71364 Winnenden, Germany. Oppgi maskintype og det nummeret på typeskiltet.



SYMBOLER



OBS! ADVARSEL! FARE!



Trekk støpslet ut av stikkkontakten før du begynner arbeider på maskinen.



Les nøye gjennom bruksanvisningen før maskinen tas i bruk.



Tilbehør - inngår ikke i leveransen, anbefalt komplettering fra tilbehørsprogrammet.



Elektroverktøy av verneklasse II. Elektroverktøy hvor beskyttelse mot elektrisk slag ikke bare er avhengig av basisisoleringen, men som også er avhengig av at tilleggs vernetiltak som dobbelt eller forsterket isolering blir brukt.

n₀

Tomgangsturtall

V

Volt



Vekselstrøm



Elektriske apparat skal ikke kastes sammen med vanlig husholdningsavfall. Elektriske og elektroniske apparat skal samles separat og leveres til miljøvennlig deponering til en avfall bedrift. Informer deg hos myndighetene på stedet eller hos din fagforhandler hvor det finnes recycling bedrifter oppsamlingssteder.



Europeisk samsvarsmerke



Britisk samsvarsmerke



Ukrainsk samsvarsmerke

001



Euroasiatisk samsvarsmerke

TEKNISKA DATA Slagbormmaskin	PD2E 22 R (220-240 V)	PD2E 24 R (220-240 V)
Produktionsnummer	4195 71 03... ... 000001-999999	4195 96 03... ... 000001-999999
Nominell upptagen effekt	850 W	1020 W
Uteffekt	460 W	540 W
Tomgångsvarvtal, obelastad, 1:a växel	0-1000 min ⁻¹	0-1000 min ⁻¹
Tomgångsvarvtal, obelastad, 2:a växel	0-3200 min ⁻¹	0-3200 min ⁻¹
Belastat varvtal max., 1:a växel	0-680 min ⁻¹	0-680 min ⁻¹
Belastat varvtal max., 2:a växel	0-2100 min ⁻¹	0-2100 min ⁻¹
Belastat slagtal max.	40 000 min ⁻¹	40 000 min ⁻¹
Statiskt blockeringsmoment*	56/30 Nm	60/33 Nm
Borrdiam. in betong	20 mm	22 mm
Borrdiam. tegel, kalksten	22 mm	24 mm
Borrdiam. in stål	13 mm	16 mm
Borrdiam. in trä	40 mm	40 mm
Chuckens spännområde	1,5-13 mm	1,5-13 mm
Borrspindel	1/2" x 20	1/2" x 20
Maskinhals diam.	43 mm	43 mm
Vikt enligt EPTA 01/2014	2,8 kg	2,9 kg
Bullerinformation		
Mätvärdena har tagits fram baserade på EN 62841. A-värdet av maskinens ljudnivå utgör:		
Ljudtrycksnivå (Onoggrannhet K=3dB(A))	98 dB (A)	96 dB (A)
Ljudeffektsnivå (Onoggrannhet K=3dB(A))	109 dB (A)	107 dB (A)
Använd hörselskydd!		
Vibrationsinformation		
Totala vibrationsvärden (vektorsumma ur tre riktningar) framtaget enligt EN 62841.		
Borning i metall		
Vibrationsemissionsvärde a _{h,d}	7,6 m/s ²	10,0 m/s ²
Onoggrannhet K=	1,5 m/s ²	1,5 m/s ²
Slagborring i betong		
Vibrationsemissionsvärde a _{h,ld}	17,1 m/s ²	17,8 m/s ²
Onoggrannhet K=	1,5 m/s ²	1,5 m/s ²

* Uppmätt enligt Milwaukee norm N 877318

VARNING!

Den i de här anvisningarna angivna vibrationsnivån har uppmätts enligt ett i EN 62841 normerat mätförfarande och kan användas vid jämförelse mellan olika elverktyg. Nivån är även lämplig att använda vid en preliminär bedömning av vibrationsbelastningen.

Den angivna vibrationsnivån representerar den huvudsakliga användningen av det aktuella elverktyget. Men om elverktyget ska användas i andra användningsområden, tillsammans med avvikande insatsverktyg eller efter otillräckligt underhåll, kan vibrationsnivån skilja sig. Det kan öka vibrationsbelastningen betydligt under hela arbetstiden.

För att få en exaktare bedömning av vibrationsbelastningen ska även den tid beaktas, under vilken elverktyget är avstängt eller är påslaget, utan att det verkligen används. Det kan reducera vibrationsbelastningen betydligt under hela arbetstiden.

Lägg som skydd för användaren fast extra säkerhetsåtgärder mot vibrationernas verkan, som till exempel: underhåll av elverktyg och insatsverktyg, varmhållning av händer och organisering av arbetsförlopp.



⚠️ VARNING Läs alla säkerhetsanvisningar, instruktioner, beskrivningar och uppgifter som du får tillsammans med apparaten. Om nedanstående anvisningar ignoreras finns risk för att elstöt, brand och/eller allvarliga personskador uppstår. Förvara alla varningar och anvisningar för framtida bruk.

⚠️ SÄKERHETSINSTRUKTIONER FÖR BORRMASKINER

1) Säkerhetsanvisningar för alla åtgärder

- Använd alltid hörselskydd när du använder en slagborrmaskin.** Buller kan leda till att du förlorar hörseln.
- Använd stödhandtag(en).** Förlust av kontrollen kan leda till personskador.
- Håll fast elverktyget endast vid de isolerade handtagen när arbeten utförs på ställen där insatsverktyget kan skada dolda elledningar eller egen nätsladd.** Om man kommer i kontakt med en spänningsförande ledning, så kan även de delar på verktyget som är av metall bli spänningsförande och leda till att man får en elektrisk stöt.

2) Säkerhetsanvisningar vid användning av långa borrkronor

- Använd aldrig en högre hastighet än den maximalt tillåtna hastighetsklassen för borrkronan.** Om en högre hastighet används, är risken hög för att borrkronan böjs om den tillåts rotera fritt utan kontakt med arbetsstycket, vilket kan leda till personskador.
- Börja alltid borra vid en låg hastighet och säkerställ att borrkronan har kontakt med arbetsstycket.** Om en högre hastighet används, är risken hög för att borrkronan böjs om den tillåts rotera fritt utan kontakt med arbetsstycket, vilket kan leda till personskador.
- Applicera enbart tryck i linje med borrkronan och använd inte för mycket kraft.** Borrkronor kan böjas vilket leder till brott eller förlust av kontroll, vilket kan leda till personskador.

Övriga säkerhets- och användningsinstruktioner

Använd skyddsutrustning. Använd alltid skyddsglasögon när du använder maskinen. Som skyddsutrustning rekommenderar vi t.ex. en dammskyddsmask, skyddshandskar, stabila och halksäkra skor, hjälm och hörselskydd.

Nätkabeln skall alltid hållas ifrån arbetsområdet. Lägg kabeln bakåt i förhållande till arbetsriktningen.

Det är inte tillåtet att bearbeta material som kan vara hälsovådligt (t.ex. asbest).

Vid arbetenborrning i vägg, tak eller golv, var alltid observant på befintliga el-, gas- eller vattenledningar.

Säkra arbetsstycket med en fastspänningsanordning. Arbetsstycken som inte är ordentligt fastspända kan leda till allvarlig kroppsskada eller annan skada.

Stäng av slagfunktionen vid arbeten med diamantborrkrona.

Stäng av maskinen omedelbart om ett verktyg som används sitter fast! Sätt sedan inte på maskinen igen så länge som verktyget som används fortfarande sitter fast; risk för okontrollerade slag med högt reaktionsmoment. Ta reda på orsaken varför verktyget fastnade och åtgärda orsaken med hänsyn till säkerhetsanvisningarna.

Möjliga orsaker kann vara:

- Verktyget sitter snett i arbetsstycket
- Materialet som ska bearbetas har gått sönder
- Elverktyget är överbelastat

Gå aldrig med händerna in i en maskin som är igång.

Verktyget som används kan bli mycket varmt under användningen. VARNING! Risk för brännskador

- vid verktygsbyte
- när man lägger ifrån sig maskinen

Avlägsna aldrig spån eller flisor när maskinen är igång.

Drag alltid ur kontakten när du utför arbeten på maskinen.

DRIFT

Kallstat

Om detta verktyg lagras under en lång tid eller vid kalla temperaturer, kan det hända att det inte hamrar till att börja med eftersom smörjningen har blivit styv.

Hur man värmer upp verktyget

1. Sätt i och läs ett skär eller en mejsel i verktyget.
2. Tryck på -/av-knappen och utöva kraft på skåret eller mejseln mot en betong- eller träyta under några sekunder. Släpp på -/av-knappen.
3. Upprepa tills verktyget börjar hamra. Ju kallare verktyget är, desto längre tid tar dess uppvärmning.

ANVÄND MASKINEN ENLIGT ANVISNINGARNA

Den slagborrmaskinen kan användas för borrning och slagborrning.

CE-FÖRSÄKRAN

Vi tar på vårt ansvar att produkten som har beskrivits under Tekniska data uppfyller alla relevanta villkor i direktiven

2011/65/EU (RoHS)

2006/42/EG

2014/30/EU

samt att följande harmoniserade standarder har använts.

EN 62841-1:2015

EN 62841-2-1:2018+A11:2019

EN 55014-1:2017+A11:2020

EN 55014-2:2015

EN 61000-3-2:2014

EN 61000-3-3:2013

EN IEC 63000:2018



Winnenden, 2020-11-27

Alexander Krug / Managing Director

Befullmäktigad att sammanställa teknisk dokumentation.

Techtronic Industries GmbH

Max-Eyth-Straße 10, 71364 Winnenden, Germany

NÄTANSLUTNING

Anslut alltid verktyget till via en felströmbrytare (FI, RCD, PRCD) vid användning utomhus.

Får endast anslutas till 1-fas växelström och till den spänning som anges på dataskylten. Anslutning kan även ske till eluttag utan skyddskontakt, eftersom konstruktionen motsvarar skyddsklass II. Maskinen skall vara fränkopplad innan den anslutes till väggurtag.

SKÖTSEL

Se till att motorhöljets luftslitsar är rena.

Vid frekvent slagborrande skall chucken göras ren från damm regelbundet. Då håller man maskinen lodrätt dedåt och öppnar och stänger chucken helt. Det ansamlade dammet faller ur. Regelbunden användning av rengöringspray (Art.nr. 4932 6217 19) rekommenderas.

Om försörjningskabeln måste bytas ut, måste detta göras av tillverkaren eller dennes representant för att undvika säkerhetsrisker.

Använd endast Milwaukee-tillbehör och Milwaukee-reservdelar. Komponenter, för vilka inget byte beskrivs, skall bytas ut hos Milwaukee-kundtjänst (se broschyren garanti-/kundtjänstadresser).

Vid behov av sprängskiss, kan en sådan, genom att uppge maskinens art. nr. (som finns på typskylten) erhållas från: Techtronic Industries GmbH, Max-Eyth-Straße 10, 71364 Winnenden, Germany.

SYMBOLER



OBSERVERA! VARNING! FARA!



Drag alltid ur kontakten när du utför arbeten på maskinen.



Läs instruktionen noga innan du startar maskinen.



Tillbehör - Ingår ej i leveransomfånget, erhålles som tillbehör.



Elverktyg skyddsklass II. Elverktyg hos vilket skyddet mot elstötar inte bara är avhängigt av basisoleringen utan också av att det finns extra skyddsåtgärder, som en dubbel isolering eller en förstärkt isolering.

n₀

Tomgångsvarvtal, obelastad

V

Volts Växelström



Växelström



Elektriska maskiner och elverktyg som kasseras får inte slängas tillsammans med de vanliga hushållssoporna. Elektriska maskiner och verktyg samt elektronisk utrustning som kasseras ska samlas separat och lämnas till en avfallsstation för miljövänlig avfallshantering. Kontakta den lokala myndigheten respektive kommunen eller fråga återförsäljare var det finns speciella avfallsstationer för elskrot.



Europeiskt konformitetsmärke



Britiskt konformitetsmärke



Ukrainskt konformitetsmärke



Euroasiatiskt konformitetsmärke



TEKNISET ARVOT Iskuporakone	PD2E 22 R (220-240 V)	PD2E 24 R (220-240 V)
Tuotantomero	4195 71 03... ... 000001-999999	4195 96 03... ... 000001-999999
Nimellinen teho	850 W	1020 W
Antoteho	460 W	540 W
Kuormittamaton kierros-luku, 1. vaihe	0-1000 min ⁻¹	0-1000 min ⁻¹
Kuormittamaton kierros-luku, 2. vaihe	0-3200 min ⁻¹	0-3200 min ⁻¹
Kuormitettu kierros-luku maks., 1. vaihe	0-680 min ⁻¹	0-680 min ⁻¹
Kuormitettu kierros-luku maks., 2. vaihe	0-2100 min ⁻¹	0-2100 min ⁻¹
Kuormitettu iskutaajuus maks.	40 000 min ⁻¹	40 000 min ⁻¹
Staatinnainen pysäytysmomentti*	56/30 Nm	60/33 Nm
Poran ø betoniin	20 mm	22 mm
Poran ø tiiliin ja kalkkikiiekkakiviin	22 mm	24 mm
Poran ø teräkseen	13 mm	16 mm
Poran ø puuhun	40 mm	40 mm
Istukan aukeama	1,5-13 mm	1,5-13 mm
Porakara	1/2" x 20	1/2" x 20
Kiinnityskaulan ø	43 mm	43 mm
Paino EPTA-meneteltyen 01/2014 mukaan	2,8 kg	2,9 kg
Melunpäästötiedot		
Mitta-arvot määritetty EN 62841 mukaan. Koneen tyyppillinen A-luokitettu melutaso:		
Melutaso (Epävarmuus K=3dB(A))	98 dB (A)	96 dB (A)
Äänenvoimakkuus (Epävarmuus K=3dB(A))	109 dB (A)	107 dB (A)
Käytä kuulosuojaimia!		
Tärinätiedot		
Värähtelyn yhteisarvot (kolmen suunnan vektorisummitattuna EN 62841 mukaan.)		
Metallin poraaminen		
Värähtelyemissioarvo a _{h,D}	7,6 m/s ²	10,0 m/s ²
Epävarmuus K=	1,5 m/s ²	1,5 m/s ²
Betonin iskuporaaminen		
Värähtelyemissioarvo a _{h,ID}	17,1 m/s ²	17,8 m/s ²
Epävarmuus K=	1,5 m/s ²	1,5 m/s ²

* Mitattu Milwaukee normin N 87318 mukaan

VAROITUS!

Näissä ohjeissa mainittu värähtelytaso on mitattu EN 62841 -standardin mukaisella mittausmenetelmällä ja sitä voidaan käyttää sähkötyökalujen vertaamiseen. Sitä voidaan käyttää myös värähtelyrasituksen väliaikaiseen arviointiin.

Mainittu värähtelytaso edustaa sähkötyökalun pääasiallista käyttöä. Jos sähkötyökalua kuitenkin käytetään muihin tehtäviin, poikkeavin työkaluihin tai riittämättömästi huoltaen, värähtelytaso voi olla erilainen. Se voi korottaa värähtelyrasitusta koko työajan osalta.

Tarkan värähtelyrasituksen toteamiseen tulee ottaa huomioon aika, jona laite on kytketty pois tai on kylläkin päällä, mutta ei käytössä. Se voi pienentää värähtelyrasitusta koko työajan osalta.

Määrittele lisäturvatoimenpiteitä käyttäjän suojaamiseksi värinöiden vaikutukselta, kuten esimerkiksi: sähkötyökalujen ja käyttötyökalujen huolto, käsien lämpimänä pitäminen, työväihden organisaatio.

VAROITUS Lue kaikki varoitoimenpiteet, ohjeet, kuvalliset esitykset ja tiedot, jotka toimitetaan laitteen mukana. Ellet noudata seuraavia ohjeita, saattaa se johtaa sähköiskuun, tulipaloon ja/tai vaikeisiin loukkaantumisiin. Säilytä kaikki turvallisuus- ja muut ohjeet tulevaisuutta varten.

VAROKONEIDEN TURVALLISUUSOHJEET

1) Turvallisuuohjeet kaikkiin toimintoihin

- Käytä kuulonsuojaimia iskuportaessa.** Melulle altistuminen voi heikentää kuuloa.
- Käytä apukahvaa/-kahvoja.** Koneen hallinnan menetyt saattaa aiheuttaa henkivahinkoja.
- Tartu sähkötyökaluun ainoastaan eristetyistä pinnoista, tehdeissä työtä, jossa saattaisit osua piilossa olevaan sähköjohtoon tai sahan omaan sähköjohtoon.** Leikkaustyökalun yhteys jännitteelliseen johtoon saattaa tehdä laitteen metalliset osat jännitteellisiksi ja aiheuttaa sähköiskun.

2) Turvallisuuohjeet käytettäessä pitkiä poranteriä

- Älä koskaan ylitä poranterässä annettua maksiminopeutta.** Maksiminopeuden ylityessä poranterä taipuu helposti, jos sen annetaan pyöriä vapaasti ilman kontaktia työkappaleeseen, mikä aiheuttaa henkilövahinkoja.
- Aloita poraus aina alhaisella nopeudella ja siten, että poranterä on kosketuksissa työkappaleeseen.** Maksiminopeuden ylityessä poranterä taipuu helposti, jos sen annetaan pyöriä vapaasti ilman kontaktia työkappaleeseen, mikä aiheuttaa henkilövahinkoja.
- Lisää painetta vain suorassa linjassa poranterään äläkä koskaan paina liikaa.** Poranterät voivat taipua ja aiheuttaa halkeamia tai hallinnan menettämisen laitteesta, mikä voi johtaa henkilövahinkoihin.

Täydentäviä turvallisuusmääräyksiä ja työskentelyohjeita

Käytä suojavarusteita. Käytä aina suojalaseja käyttäessäsi konetta. Suosittelemme suojavarusteiden käyttöä, näihin kuuluvat pölysuojanaamari, työkasineet, tukevat, luistamattomat jalkineet, kypärä ja kuulonsuojukset.

Pidä sähköjohto poissa koneen käyttöalueelta. Siirrä se aina taaksesi. Terveystieteisiä vaaroja aiheuttavien materiaalien (esim. asbestin) työstäminen on kielletty.

Varo seinään, kattoon tai lattiaan porattaessa osumasta sähköjohtoon, kaasu- ja vesijohtoihin.

Varmista työstökappaleesi kiinnityslaitteella paikalleen. Varmistamattomat työstökappaleet saattavat aiheuttaa vakavia vammoja ja vaurioita.

Pysyätä iskulaite timanttiporan kärjillä työskenneltäessä.

Jos käytetty työkalu juuttuu kiinni, sammuta laite heti! Älä kytkä laitetta uudelleen päälle työkalun ollessa vielä kiinni juuttuneena, koska tästä saattaa aiheutua voimakas takaisku. Selvitä työkalun juuttumisen syy ja poista syy turvallisuusmääräyksiä noudattaen.

Mahdollisia syitä saattavat olla:

- työkalun vinoutuminen työstökappaleessa
- Työstettävän materiaalin läpimeno
- sähkötyökalun ylikuormitus

Älä tartu käynnissä olevan koneen työosiin.

Käytetty työkalu saattaa kuumeta käytön aikana. VAROITUS! Palovamman vaara

- työkalua vaihdettaessa
- laitetta pois laskettaessa

Lastuja tai puruja ei saa poistaa koneen käydessä.

Irrota aina pistotulppa seinäkoskettimesta ennen koneeseen tehtäviä toimempiteitä.

KÄYTTÖ

Kylmäkäynnisty

Jos työkalu on varastoitu pidemmäksi aikaa tai kylmässä, mahdollisesti se ei aluksi varsoi, sillä sen voitelu on jääkystynyt.

Työkalun lämmittäminen

1. Aseta poranterä tai taltta työkaluun.
2. Vedä liipaisimesta ja paina poranterää tai talttaa betoni- tai puupintaa vasten muutamien sekuntien ajan. Päästä irti virtakytkimestä.
3. Toista, kunnes työkalu alkaa varsoimaan. Mitä kylmempi työkalu on, sitä pidempään sen lämpeneminen kestää.

TARKOITUKSEN MUKAINEN KÄYTTÖ

Iskuportaa voidaan käyttää poraukseen ja iskuportaukseen.

TODISTUS CE-STANDARDIN MUKAISUUDESTA

Vakuutamme täten olevamme yksin vastuussa siitä, että kohdassa "Tekniset tiedot" kuvattu tuote vastaa kaikkia direktiivien merkityksellisiä säädöksiä

2011/65/EU (RoHS)
2006/42/EY

2014/30/EU

ja seuraavia yhdenmukaistettuja standardeja on käytetty.

EN 62841-1:2015
EN 62841-2-1:2018+A11:2019
EN 55014-1:2017+A11:2020
EN 55014-2:2015
EN 61000-3-2:2014
EN 61000-3-3:2013
EN IEC 63000:2018



Winnenden, 2020-11-27

Alexander Krug / Managing Director
Valtuutettu kokoamaan tekniset dokumentit.

Techtronic Industries GmbH
Max-Eyth-Straße 10, 71364 Winnenden, Germany

VERKKOLIITÄNTÄ

Ulkokäytössä olevat pistorasiat on varustettava vikavirta-suojakytkimillä (FI, RCD PRCD) sähkölaitteisto asennusmääräyksen mukaisesti. Muista tarkistaa, että laite liitetään ulkokäytössä ulkopistorasiaan ja neuvottele asiasta sähköasentajasi kanssa.

Yhdistä ainoastaan yksivaiheiseen vaihtovirtaan, jonka verkkojännite on sama kuin tyyppikilvessä ilmoitettu. Myös liittäminen maadoittamattomiin pistorasioihin on mahdollista, sillä rakenne vastaa turvallisuusluokkaa II.

Varmista, että kone on sammutettu ennen kytkemistä sähköverkkoon.



HUOLTO

Pidä moottorin ilmanottoaukut puhtaina.

Enimmäkseen iskuporauksessa käytetyn porakoneen istukka on puhdistettava säännöllisesti. Pölyn poistamiseksi istukasta, kone pidetään pystyasennossa, istukka alaspäin suunnattuna ja istukka avataan ja suljetaan kokonaan useita kertoja. Näin istukkaan kerääntynyt pöly irtoaa ja putoaa alas. On suositeltavaa, että kiristysleuat porauksineen puhdistetaan säännöllisesti puhdistusaineella (osanumero 4932 6217 19).

Syöttöketjun vaihdon ollessa tarpeen, toteuttaa valmistaja tai sen edustaja vaihdon turvallisuusriskien ehkäisemiseksi.

Käytä ainoastaan Milwaukee lisätarvikkeita ja Milwaukee varaosia. Mikäli jokin komponentti, jota ei ole kuvailtu, tarvitsee vaihtoa ota yhteys johonkin Milwaukee palvelupisteistä (kts. listamme takuuhuoltoilikeiden/ palvelupisteiden osoitteista)

Tarpeen vaatiessa voit pyytää lähettämään laitteen kokoonpanopirustuksen ilmoittamalla arvokilven numeron seuraavasta osoitteesta: Techtronic Industries GmbH, Max-Eyth-Strasse 10, 71364 Winnenden, Germany.



SYMBOLIT



HUOMIO! VAROITUS! VAARA!



Irrota aina pistotulppa seinäkoskettimesta ennen koneeseen tehtäviä toimempiteitä.



Lue käyttöohjeet huolellisesti, ennen koneen käynnistämistä.



Lisälaitte - Ei sisälly vakiovarustukseen, saatavana lisätarvikkeena.



Suojaluokan II sähkötyökalu. Sähkötyökalu, jonka sähköiskunsuojaus ei ole riippuvainen ainoastaan peruseristyksestä, vaan myös siitä, että käytetään lisäturvatoimia, kuten kaksinkertaista eristystä tai vahvistettua eristystä.

n₀

Kuormittamaton kierroslukku

V

Jännite AC



Vaihtovirta



Sähkölaitteita ei saa hävittää yhdessä kotitalousjätteiden kanssa. Sähkö- ja elektroniset laitteet tulee kerätä erikseen ja toimittaa kierrätysliikkeeseen ympäristöystävällistä hävittämistä varten. Pyydä paikallisilta viranomaisilta tai alan kauppiailta tarkemmat tiedot kierrätyspisteistä ja keräyspaikoista.



Euroopan säännönmukaisuusmerkki



Britannian säännönmukaisuusmerkki



Ukrainan säännönmukaisuusmerkki



Euraasian säännönmukaisuusmerkki

Suomi

ΤΕΧΝΙΚΑ ΣΤΟΙΧΕΙΑ ΚΡΟΥΣΤΙΚΟ ΔΡΑΠΑΝΟ	PD2E 22 R (220-240 V)	PD2E 24 R (220-240 V)
Αριθμός παραγωγής	4195 71 03... ... 000001-999999	4195 96 03... ... 000001-999999
Ονομαστική ισχύς	850 W	1020 W
Αποδιδόμενη ισχύς	460 W	540 W
Αριθμός στροφών χωρίς φορτίο, 1η ταχύτητα	0-1000 min ⁻¹	0-1000 min ⁻¹
Αριθμός στροφών χωρίς φορτίο, 2η ταχύτητα	0-3200 min ⁻¹	0-3200 min ⁻¹
Αριθμός στροφών με φορτίο Μέγ., 1η ταχύτητα	0-680 min ⁻¹	0-680 min ⁻¹
Αριθμός στροφών με φορτίο Μέγ., 2η ταχύτητα	0-2100 min ⁻¹	0-2100 min ⁻¹
Μέγιστος αριθμός κρούσεων με φορτίο Μέγ.	40 000 min ⁻¹	40 000 min ⁻¹
Στατική ροπή εμπλοκής*	56/30 Nm	60/33 Nm
Διάμετρος τρύπας σε σκυρόδεμα (μπετόν)	20 mm	22 mm
Διάμετρος τρύπας σε τούβλο και ασβεστόλιθο	22 mm	24 mm
Διάμετρος τρύπας σε χάλυβα	13 mm	16 mm
Διάμετρος τρύπας σε ξύλο	40 mm	40 mm
Περιοχή σύσφιξης του τσοκ	1,5-13 mm	1,5-13 mm
Άτρακτος δράπανου	1/2" x 20	1/2" x 20
Διάμετρος λαϊμού σύσφιξης	43 mm	43 mm
Βάρος σύμφωνα με τη διαδικασία ΕΡΤΑ 01/2014	2,8 kg	2,9 kg
Πληροφορίες θορύβου Τιμές μέτρησης εξακριβωμένες κατά EN 62841. Η σύμφωνη με την καμπύλη Α εκτιμηθείσα στάθμη θορύβου του μηχανήματος αναφέρεται σε:		
Στάθμη ηχητικής πίεσης (Ανασφάλεια K=3dB(A))	98 dB (A)	96 dB (A)
Στάθμη ηχητικής ισχύος (Ανασφάλεια K=3dB(A))	109 dB (A)	107 dB (A)
Φοράτε προστασία ακοής (ωτασπίδες)!		
Πληροφορίες δονήσεων Υλικές τιμές κραδασμών (άθροισμα διανυσμάτων τριών διευθύνσεων) εξακριβώθηκαν σύμφωνα με τα πρότυπα EN 62841.		
Τρύπες σε μέταλλο		
Τιμή εκπομπής δονήσεων a _{h,D}	7,6 m/s ²	10,0 m/s ²
Ανασφάλεια K=	1,5 m/s ²	1,5 m/s ²
Κρουστικό τρυπάνι σε μπετόν		
Τιμή εκπομπής δονήσεων a _{h,1D}	17,1 m/s ²	17,8 m/s ²
Ανασφάλεια K=	1,5 m/s ²	1,5 m/s ²

* Μετρημένη σύμφωνα με το πρότυπο της Milwaukee N

ΠΡΕΙΔΟΠΟΙΗΣΗ!

Το αναφερόμενο σ' αυτές τις οδηγίες επίπεδο δονήσεων έχει μετρηθεί με μια τυποποιημένη σύμφωνα με το EN 62841 μέθοδο μέτρησης και μπορεί να χρησιμοποιηθεί για τη σύγκριση των ηλεκτρικών εργαλείων μεταξύ τους. Αυτό είναι επίσης κατάλληλο για μια προσωρινή εκτίμηση της επιβάρυνσης των δονήσεων.

Το αναφερόμενο επίπεδο δονήσεων αντιπροσωπεύει τις κύριες χρήσεις του ηλεκτρικού εργαλείου. Εάν όμως το ηλεκτρικό χρησιμοποιείται σε άλλες χρήσεις, με διαφορετικά εργαλεία εφαρμογής ή ανεπαρκή συντήρηση, μπορεί να υπάρξει απόκλιση του επιπέδου δονήσεων. Αυτό μπορεί να αυξήσει σημαντικά την επιβάρυνση των δονήσεων για τη συνολική διάρκεια της εργασίας.

Για μια ακριβή εκτίμηση της επιβάρυνσης των δονήσεων οφείλουν επίσης να λαμβάνονται υπόψη οι χρόνοι, στους οποίους η συσκευή είναι απενεργοποιημένη ή είναι μεν ενεργοποιημένη αλλά δεν χρησιμοποιείται πραγματικά. Αυτό μπορεί να μειώσει σημαντικά την επιβάρυνση των δονήσεων για τη συνολική διάρκεια της εργασίας.

Καθορίστε πρόσθετα μέτρα ασφαλείας για την προστασία του χειριστή από την επίδραση των δονήσεων όπως για παράδειγμα: Συντήρηση του ηλεκτρικού εργαλείου και των εργαλείων εφαρμογής, διατηρείτε ζεστά τα χέρια, οργάνωση των διαδικασιών εργασίας.



⚠️ ΠΡΟΕΙΔΟΠΟΙΗΣΗ Διαβάστε όλες τις υποδείξεις ασφαλείας, τις οδηγίες, τις εικόνες και τα δεδομένα, τα οποία θα λάβετε μαζί με το μηχάνημα. Η μη τήρηση των οδηγιών που ακολουθούν, μπορεί να οδηγήσει σε ηλεκτροπληξία, φωτιά και/ή σε σοβαρούς τραυματισμούς.
Φυλάξτε όλες τις προειδοποιητικές υποδείξεις και οδηγίες για κάθε μελλοντική χρήση.

⚠️ ΥΠΟΔΕΙΞΕΙΣ ΑΣΦΑΛΕΙΑΣ ΓΙΑ ΔΡΑΠΑΝΑ

1) Οδηγίες ασφαλείας για όλες τις λειτουργίες

- a) Κατά την κρουστική διάτρηση φοράτε ωτοασπίδες.** Η επίδραση του θορύβου μπορεί να προκαλέσει απώλεια ακοής.
- b) Χρησιμοποιήστε τη/τις βοηθητική/ές λαβή/ές.** Η απώλεια ελέγχου μπορεί να οδηγήσει σε τραυματισμό.
- c) Να πιάνετε το ηλεκτρικό εργαλείο μόνο από τις προβλεπόμενες γι' αυτό το σκοπό μονωμένες επιφάνειες του, όταν εκτελείτε εργασίες στις οποίες υπάρχει κίνδυνος το εργαλείο που χρησιμοποιείτε να συναντήσει ηλεκτροφόρους αγωγούς ή το δικό του ηλεκτρικό καλώδιο.** Η επαφή των κοπτικών εργαλείων με αγωγό τροφοδοσίας τάσης μπορεί να θέσει τα μεταλλικά τμήματα της συσκευής υπό τάση και να προκαλέσει ηλεκτροπληξία.

2) Οδηγίες ασφαλείας για τη χρήση τρυπανιών μεγάλου μήκους

- a) Ποτέ μην επιλέγετε υψηλότερη ταχύτητα από τη μέγιστη επιτρεπόμενη ταχύτητα του τρυπανιού.** Σε υψηλότερες ταχύτητες είναι πιθανή η κάμψη του τρυπανιού, εφόσον αφεθεί να περιστρέφεται ελεύθερα χωρίς να βρίσκεται σε επαφή με το τεμάχιο προς διάτρηση, με επακόλουθο την πρόκληση σωματικής βλάβης.
- b) Αρχίζετε πάντα να τρυπάτε επιλέγοντας χαμηλή ταχύτητα στρωφών και με τη μύτη του τρυπανιού σε επαφή με το τεμάχιο προς διάτρηση.** Σε υψηλότερες ταχύτητες είναι πιθανή η κάμψη του τρυπανιού, εφόσον αφεθεί να περιστρέφεται ελεύθερα χωρίς να βρίσκεται σε επαφή με το τεμάχιο προς διάτρηση, με επακόλουθο την πρόκληση σωματικής βλάβης.
- c) Εφορμώζετε πίεση μόνο σε ευθεία γραμμή προς το τρυπάνι και μην ασκείτε υπερβολική πίεση.** Τα τρυπάνια μπορεί να λυγίσουν προκαλώντας απώλεια ελέγχου και επακόλουθη πρόκληση σωματικής βλάβης.

Περαιτέρω οδηγίες ασφαλείας και χρήσεως

Χρησιμοποιείτε προστατευτικό εξοπλισμό. Κατά την εργασία με τη μηχανή φοράτε πάντα προστατευτικά γυαλιά. Συνιστούμε επίσης προστατευτική ενδυμασία όπως επίσης μάσκα προστασίας αναπνοής, προστατευτικά γάντια, σταθερά και ασφαλή στην ολίσθηση υποδήματα, κράνος και ωτοασπίδες.

Κρατάτε το καλώδιο σύνδεσης πάντοτε μακριά από την περιοχή δράσης της μηχανής. Πενάτε το καλώδιο πάντοτε πίσω από τη μηχανή.

Μην επεξεργάζεστε επικίνδυνα για την υγεία υλικά (π.χ. αμιάντος).

Κατά τις εργασίες σε τοίχο, οροφή ή δάπεδο προσέχετε για τυχόν ηλεκτρικά καλώδια και για σωλήνες αερίου και νερού.

Ασφαλίστε το προς κατεργασία κομμάτι στη μέγγενη ή με μια άλλη διάταξη στερέωσης. Μη ασφαλισμένα προς κατεργασία κομμάτια μπορεί να προκαλέσουν σοβαρούς τραυματισμούς και ζημιές.

Κατά τις εργασίες με διαμάντοκωρνες απενεργοποιείτε τον κρουστικό μηχανισμό.

Σε περίπτωση μπλοκαρίσματος της αριδίας απενεργοποιείτε αμέσως τη συσκευή! Μην ενεργοποιείτε εκ νέου τη συσκευή όσο η αριδιά είναι μπλοκαρισμένη. Σ' αυτή τη περίπτωση θα μπορούσε να προκύψει υψηλή ροπή αντίδρασης. Βρείτε την αιτία του μπλοκαρίσματος της αριδίας και εξεμπλοκάρτε την λαμβάνοντας υπόψη τις οδηγίες ασφαλείας.

Πιθανές αιτίες γι' αυτό θα μπορούσαν να είναι:

- Η αριδιά γάγκωσε με το προς κατεργασία κομμάτι.
- Θραύση του επεξεργαζόμενου υλικού
- Υπερφόρτωση του ηλεκτρικού εργαλείου.

Μην απλώνετε τα χέρια σας στην επικίνδυνη περιοχή της μηχανής όταν είναι σε λειτουργία.

Η θερμοκρασία της αριδίας μπορεί να φτάσει σε υψηλά επίπεδα κατά τη λειτουργία.

ΠΡΟΕΙΔΟΠΟΙΗΣΗ! Κίνδυνος εγκαυμάτων

- κατά την αλλαγή εργαλείου (αριδίας)
- κατά την απόθεση της συσκευής

Τα γρέζια ή οι σκλήθρες δεν επιτρέπεται να απομακρύνονται όσο η μηχανή βρίσκεται σε λειτουργία.

Πριν από κάθε εργασία στη μηχανή τραβάτε το φως από την πρίζα.

ΧΕΙΡΙΣΜΟΣ

Ψυχρή εκκίνηση

Εάν το εργαλείο έχει αποθηκευτεί για μεγάλο χρονικό διάστημα ή σε ψυχρές θερμοκρασίες, η κρουστική λειτουργία ενδέχεται να μην είναι διαθέσιμη, επειδή το λιπαντικό έχει σκληρύνει.

Για να θερμάνετε το εργαλείο

1. Προσαρτήστε και ασφαλίστε ένα τρυπάνι ή μια σμίλη στο εργαλείο.
2. Τραβήξτε τη σκανδάλη και ασκήστε δύναμη στο τρυπάνι ή τη σμίλη έναντι μιας πλάκας σκυροδέματος ή μιας επίπεδης ξύλινης επιφάνειας για μερικά δευτερόλεπτα. Απελευθερώστε τη σκανδάλη.
3. Επαναλάβετε μέχρι να αρχίσει η κρουστική λειτουργία του εργαλείου. Όσο πιο κρύο είναι το εργαλείο, τόσο μεγαλύτερο διάστημα θα χρειαστεί για να θερμανθεί.

ΧΡΗΣΗ ΣΥΜΦΩΝΑ ΜΕ ΤΟ ΣΚΟΠΟ ΠΡΟΟΡΙΣΜΟΥ

Το κρουστικό τρυπάνι/κατσαβίδι μπορεί να χρησιμοποιηθεί γενικά για απλό τρύπημα και τρύπημα με κρούση.

ΔΗΛΩΣΗ ΠΙΣΤΟΤΗΤΑΣ ΕΚ

Δηλώνουμε με αποκλειστική με ευθύνη, ότι το προϊόν που περιγράφεται στα «Τεχνικά Χαρακτηριστικά» συμμορφώνεται με όλες τις σχετικές διατάξεις των οδηγιών

2011/65/EE (RoHS)

2006/42/ΕΚ

2014/30/ΕΕ

και έχουν εφαρμοστεί τα ακόλουθα εναρμονισμένα πρότυπα

EN 62841-1:2015

EN 62841-2-1:2018+A11:2019

EN 55014-1:2017+A11:2020

EN 55014-2:2015

EN 61000-3-2:2014

EN 61000-3-3:2013

EN IEC 63000:2018



Winnenden, 2020-11-27

Alexander Krug / Managing Director

Εξουσιοδοτημένος να συντάξει τον τεχνικό φάκελο.

Techtronic Industries GmbH

Max-Eyth-Straße 10, 71364 Winnenden, Germany

ΣΥΝΔΕΣΗ ΣΤΟ ΗΛΕΚΤΡΙΚΟ ΔΙΚΤΥΟ

Οι πρίζες στους εξωτερικούς χώρους πρέπει να είναι εξωπλισμένες με μικροαυτόματους διακόπτες προστασίας (FI, RCD, PRCD). Αυτό απαιτεί ο σχετικός κανονισμός από την ηλεκτρική σας εγκατάσταση. Προσέξτε παρακαλώ αυτό το σημείο κατά τη χρήση της συσκευής μας.

Συνδέετε μόνο σε μονοφασικό εναλλασσόμενο ρεύμα και μόνο σε τάση δικτύου όπως αναφέρεται στην πινακίδα τεχνικών χαρακτηριστικών. Η σύνδεση είναι επίσης εφικτή σε πρίζες χωρίς προστασία επαφής, διότι έχει προβλεφθεί εξοπλισμός κατηγορίας προστασίας II.

Συνδέετε τη μηχανή στην πρίζα μόνο αν ο διακόπτης είναι στη θέση απενεργοποίησης.

ΣΥΝΤΗΡΗΣΗ

Διατηρείτε πάντοτε τις σχισμές εξαερισμού της μηχανής καθαρές.

Σε περίπτωση συχνής λειτουργίας ως κρουστικό τρυπάνι πρέπει να καθαρίζετε το τσοκ τακτικά από τη σκόνη. Για το σκοπό αυτόν κρατήστε τη μηχανή με το τσοκ κάθετα προς τα κάτω και ανοίξτε το τσοκ σ' όλο το εύρος σύσφιξης και κλείστε το ξανά. Έτσι πέφτει από το τσοκ η συγκεντρωμένη σκόνη. Συνιστάται η τακτική χρήση σπρέι καθαρισμού (αριθ. προϊόντος 4932 6217 19) στις σιαγόνες σύσφιξης και στις οπές των σιαγόνων σύσφιξης.

Αν είναι απαραίτητη η αντικατάσταση του καλωδίου παροχής, αυτή πρέπει να γίνει από τον κατασκευαστή ή τον αντιπρόσωπό του, προκειμένου να αποφευχτεί ένας κίνδυνος για την ασφάλεια.

Χρησιμοποιείτε μόνο αξεσουάρ Milwaukee και ανταλλακτικά Milwaukee. Εξαρτήματα, που η αλλαγή τους δεν περιγράφεται, αντικαθιστώνται σε μια τεχνική υποστήριξη της Milwaukee (βλέπε φυλλάδιο εγγύηση/διευθύνσεις τεχνικής υποστήριξης).

Όταν χρειάζεται, μπορείτε να ζητήσετε ένα σχέδιο συναρμολόγησης της συσκευής, δίνοντας τον τύπο της μηχανής και αριθμό στην πινακίδα ισχύος, από το κέντρο σέρβις ή απευθείας από τη φίρμα Techtronic Industries GmbH, Max-Eyth-Strasse 10, 71364 Winnenden, Germany.

ΣΥΜΒΟΛΑ



ΠΡΟΣΟΧΗ! ΠΡΟΕΙΔΟΠΟΙΗΣΗ! ΚΙΝΔΥΝΟΣ!



Πριν από κάθε εργασία στη μηχανή τραβάτε το φως από την πρίζα.



Παρακαλώ διαβάστε σχολαστικά τις οδηγίες χρήσης πριν από την έναρξη λειτουργίας.



Εξαρτήματα - Δεν περιλαμβάνονται στα υλικά παράδοσης, συνιστούμενη προσθήκη από το πρόγραμμα εξαρτημάτων.



Ηλεκτρικό εργαλείο κατηγορίας ασφάλειας II. Ηλεκτρικό εργαλείο στο οποίο η προστασία από ηλεκτροπληξία δεν εξαρτάται μόνο από την βασική μόνωση αλλά και από συμπληρωματικά μέτρα ασφάλειας όπως διπλή ή ενισχυμένη μόνωση.

n₀ Αριθμός στροφών χωρίς φορτίο

V Βολτ AC



Εναλλασσόμενο ρεύμα



Ηλεκτρικά μηχανήματα δεν επιτρέπεται να απορρίπτονται μαζί με τα οικιακά απορρίμματα. Ηλεκτρικά και ηλεκτρονικά μηχανήματα συλλέγονται ξεχωριστά και παραδίδονται προς ανακύκλωση με τρόπο φιλικό προς το περιβάλλον σε επιχείρηση επεξεργασίας απορριμμάτων. Ενημερωθείτε από τις τοπικές υπηρεσίες ή από ειδικευμένους εμπόρους σχετικά με κέντρα ανακύκλωσης και συλλογής απορριμμάτων.



Ευρωπαϊκό σήμα πιστότητας



Βρετανικό σήμα πιστότητας



Ουκρανικό σήμα πιστότητας



Ευρασιατικό σήμα πιστότητας



TEKNİK VERİLER Vurmalı matkap makinesi	PD2E 22 R (220-240 V)	PD2E 24 R (220-240 V)
Üretim numarası	4195 71 03... ... 000001-999999	4195 96 03... ... 000001-999999
Giriş gücü	850 W	1020 W
Çıkış gücü	460 W	540 W
Boştaki devir sayısı, 1. Vites	0-1000 min ⁻¹	0-1000 min ⁻¹
Boştaki devir sayısı, 2. Vites	0-3200 min ⁻¹	0-3200 min ⁻¹
Yükteki devir sayısı Maks., 1. Vites	0-680 min ⁻¹	0-680 min ⁻¹
Yükteki devir sayısı Maks., 2. Vites	0-2100 min ⁻¹	0-2100 min ⁻¹
Yükteki darbe sayısı Maks.	40 000 min ⁻¹	40 000 min ⁻¹
Statik blokaj momenti*	56/30 Nm	60/33 Nm
Delme çapı beton	20 mm	22 mm
Delme çapı tuğla ve kireçli kum taşı	22 mm	24 mm
Delme çapı çelikte	13 mm	16 mm
Delme çapı tahta	40 mm	40 mm
Mandren kapasitesi	1,5-13 mm	1,5-13 mm
Matkap mili	1/2" x 20	1/2" x 20
Germe boynu çapı	43 mm	43 mm
Ağırlığı ise EPTA-üretici 01/2014'e göre	2,8 kg	2,9 kg
Gürültü bilgileri Ölçüm değerleri EN 62841'e göre belirlenmektedir. Aletin, frekansa bağımlı uluslararası ses basıncı seviyesi değerlendirme eğrisi A'ya göre tipik gürültü seviyesi:		
Ses basıncı seviyesi (Tolerans K=3dB(A))	98 dB (A)	96 dB (A)
Akustik kapasite seviyesi (Tolerans K=3dB(A))	109 dB (A)	107 dB (A)
Koruyucu kulaklık kullanın!		
Vibrasyon bilgileri Toplam titreşim değeri (üç yönün vektör toplamı) EN 62841'e göre belirlenmektedir:		
Metal delme		
titreşim emisyon değeri a _{h,d}	7,6 m/s ²	10,0 m/s ²
Tolerans K=	1,5 m/s ²	1,5 m/s ²
Darbeli beton delme		
titreşim emisyon değeri a _{h,d}	17,1 m/s ²	17,8 m/s ²
Tolerans K=	1,5 m/s ²	1,5 m/s ²

* Milwaukee Norm N 877318'e göre ölçülmüştür.

UYARI!

Bu talimatlarda belirtilen titreşim seviyesi, EN 62841 standardına uygun bir ölçme metodu ile ölçülmüştür ve elektrikli el aletleri birbiriyle karşılaştırmak için kullanılabilir. Ölçüm sonuçları ayrıca titreşim yükünün geçici değerlendirmesi için de uygundur. Belirtilen titreşim seviyesi, elektrikli el aletinin genel uygulamaları için geçerlidir. Ancak elektrikli el aleti başka uygulamalar için, farklı eklenti parçalarıyla ya da yetersiz bakım koşullarında kullanılırsa, titreşim seviyesi farklılık gösterebilir. Bu durumda, titreşim yükü toplam çalışma zaman aralığı içerisinde belirgin ölçüde yükselebilir. Titreşim yükünün tam bir değerlendirmesi için ayrıca cihazın kapalı olduğu süreler ve cihazın çalışır durumda olduğu, ancak gerçek kullanımda bulunmadığı süreler de dikkate alınmalıdır. Böylelikle, toplam çalışma zamanı aralığı boyunca meydana gelen titreşim yükü belirgin ölçüde azaltılabilir. Kullanıcı titreşimlerin etkisinden korumak üzere, örneğin elektrikli el aletlerinin ve eklenti parçalarının bakımı, ellerin sıcak tutulması ve iş akışlarının organizasyonu gibi ek güvenlik tedbirleri belirleyiniz.

⚠️ UYARI Cihazla birlikte gelen tüm güvenlik uyarılarını, talimatları, çizimleri ve bilgileri okuyun. Aşağıdaki talimat hükümlerine uymadığınız takdirde elektrik çarpması, yangın veya ağır yaralanma tehlikesi ile karşılaşabilirsiniz. **Bütün uyarıları ve talimat hükümlerini ilerde kullanmak üzere saklayın.**

⚠️ MATKAP MAKİNELERİ İÇİN GÜVENLİK AÇIKLAMALARI

1) Tüm işlemler için güvenlik talimatları

a) Tepmeli matkap olarak işleme için koruma cihazı taşıyınız. Gürültü etkisi işleme kaybını etkiler.

b) Yardımcı tutamağı (tutamakları) kullanın. Aletin kontrolünden çıkması kazalara neden olabilir.

c) Çalışırken alet ucunun görünmeyen elektrik akımı ileten kablolarla veya aletin kendi şebeke kablosuna temas etme olasılığı varsa elektrikli el aletinin sadece izolasyonlu tutamağından tutun. Kesme aletinin içinden elektrik akımı geçen kablo ile temas etmesi durumunda elektrik akımı cihazın metal kısımlarına geçer ve elektrik çarpmasına sebebiyet verebilir.

2) Uzun matkap uçları kullanılırken uyulması gereken güvenlik talimatları

a) Matkabı maksimum matkap ucu hız seviyesinden yüksek hızda asla çalıştırmayın. Daha yüksek hızlarda, matkap uçlarının iş parçasına temas etmeden serbestçe dönmesine izin verildiğinde bükülme eğilimi vardır ve bu da kişisel yaralanmaya sebep olur.

b) Her zaman matkap ucu iş parçasına temas edecek şekilde düşük hızda delmeye başlayın. Daha yüksek hızlarda, matkap uçlarının iş parçasına temas etmeden serbestçe dönmesine izin verildiğinde bükülme eğilimi vardır ve bu da kişisel yaralanmaya sebep olur.

c) Yalnızca uçla aynı hatta basınç uygulayın ve aşırı basınç uygulamayın. Uçlar kırılmaya veya kontrol kaybına yol açacak şekilde bükülebilir ve bu da kişisel yaralanmayla sonuçlanabilir.

Ek güvenlik ve çalışma talimatları

Koruma teçhizatı kullanın. Makinada çalışırken devamlı surette koruyucu gözlük takın. Koruyucu elbise ve tozlardan korunma maskesi, emniyet eldivenleri ve sağlam ve kaymaya mukavim ayakkabı giyin. Başlık ve kulaklık tavsiye edilir.

Bağlantı kablosunu aletten uzak tutun. Kablo daima aletin arkasında olmalıdır ve toplanmamalıdır.

Sağlık tehlikelerine neden olan maddelerin işlenmesi yasaktır (örn. asbest).

Duvar, tavan ve zeminde delik açarken elektrik kablolarına, gaz ve su borularına dikkat edin.

İşlenen parçayı bir germe tertibatıyla emniyete alın. Emniyete alınmayan iş parçaları ağır yaralanmalar ve hasarlara neden olabilir.

Kaya uçlarıyla çalışırken darbe mekanizmasını kapatın.

Uca yerleştirilen takımın bloke olması halinde lüften cihazı hemen kapatın! Uca yerleştirilen takım bloke olduğu sürece cihazı tekrar çalıştırmayın; bu sırada yüksek reaksiyon momentine sahip bir geri tepme meydana gelebilir. Uca yerleştirilen takımın neden bloke olduğuna bakın ve bu durumu güvenlik uyarılarına dikkat ederek gidin.

Olası nedenler şunlar olabilir:

- İşlenen parça içinde takılma
- İşlenen malzemenin kırılması
- Elektrikli alete aşırı yük binmesi

Ellerinizi çalışmakta olan makinenin içine uzatmayın.

Uca yerleştirilen takım kullanılırken ısıyabilir.

UYARI! Yanma tehlikesi

- takım değiştirme sırasında
- aletin yere bırakılması sırasında

Alet çalışır durumda iken talaş ve kırıntıları temizlemeye çalışmayın.

Aletin kendinde bir çalışma yapmadan önce fişi prizden çekin.

ÇALIŞMA

Soğuk Çalıştırma

Bu alet uzun süre boyunca veya soğuk ısılarda saklanırsa yağ katılaşacağından başlangıçta çalışmayabilir.

Aleti ısıtmak için

1. Aletin içine matkap ucu veya keski takın ve kilitleyin.
2. Tetiği çekin ve matkap ucuna veya keskiye birkaç saniyelik beton ya da aşıp bir yüzeye kuvvet uygulayın. Tetiği serbest bırakın.
3. Alet çalışmaya başlayana kadar tekrarlayın. Alet ne kadar soğuk olursa ısınması o kadar uzun sürecektir.

KULLANIM

Bu darbeli matkap delme ve darbeli delme işlerinde çok yönlü olarak kullanılabilir.

CE UYGUNLUK BEYANI

“Teknik veriler” başlığı altında tanımlanan ürünün, sayılı direktiflerdeki tüm hükümleri 2011/65/EU (RoHS) 2006/42/EC 2014/30/EU uyumlaştırılmış standartları EN 62841-1:2015 EN 62841-2-1:2018+A11:2019 EN 55014-1:2017+A11:2020 EN 55014-2:2015 EN 61000-3-2:2014 EN 61000-3-3:2013 EN IEC 63000:2018



Winnenden, 2020-11-27

Alexander Krug / Managing Director
Teknik evrakları hazırlamakla görevlendirilmiştir.

Techtronic Industries GmbH

Max-Eyth-Straße 10, 71364 Winnenden, Germany

ŞEBEKE BAĞLANTISI

Açık havadaki prizler hatalı akım koruma şalteri (FI, RCD, PRCD) ile donatılmış olmalıdır. Bu, elektrik tesisatındaki bir zorunluluktur. Lütfen aletimizi kullanırken bu hususa dikkat edin.



Aleti sadece tek fazlı alternatif akıma ve tip etiketi üzerinde belirtilen şebeke gerilimine bağlayın. Yapısı Koruma sınıfı II'ye girdiğinden alet koruyucu kontaklı prize de bağlanabilir.

Aleti sadece kapalı iken prize takın.

BAKIM

Aletin havalandırma aralıklarını daima temiz tutun.

Sık sık darbeli delme yapıyorsanız mandreni düzenli aralıklarla tozdan arındırın. Bu işleme yapmak için aleti mandren aşağıya bakacak biçimde dik olarak tutun, mandreni sonuna kadar açın, kapayın. Birikmiş olan toz bu durumda mandrenden aşağı düşer. Ayrıca, germe çenelerine ve germe çenesi deliklerine düzenli olarak bakım spreyi (ürün kodu: 4932 6217 19) uygulamanızı öneririz.

Beşleme kablosunun değiştirilmesi gerekiyorsa, bir güvenlik tehlikesi oluşturmamak için bu işlemin üretici ya da temsilcisi tarafından yapılması gerekir.

Sadece Milwaukee aksesuarı ve yedek parçası kullanın. Nasıl değiştirileceği açıklanmamış olan yapı parçalarını bir Milwaukee müşteri servisinde değiştirin (Garanti ve servis adresi broşürüne dikkat edin).

Gerektiği takdirde aletin dağıtım görünüş şeması, alet tipinin ve tip etiketi üzerindeki sayının bildirilmesi koşuluyla müşteri servisinden veya doğrudan Techtronic Industries GmbH, Max-Eyth-Straße 10, 71364 Winnenden, Germany adresinden istenebilir.

SEMBOLLER



DIKKAT! UYARI! TEHLİKE!



Aletin kendinde bir çalışma yapmadan önce fişi prizden çekin.



Lütfen aleti çalıştırmadan önce kullanma kılavuzunu dikkatli biçimde okuyun.



Aksesuar - Teslimat kapsamında değildir, önerilen tamamlamalar aksesuar programında.



Koruma sınıfı II olan elektrikli aletler. Elektrik çarpmasına karşı korumanın sadece temel izolasyona bağlı olmayıp, aynı zamanda çift izolasyon veya takviyeli izolasyon gibi ek koruyucu önlemlerin alınmasına bağlı olan elektrikli alet.

n₀

Boşta ki devir sayısı

V

Voltaj



Dalgalı akım



Elektrikli cihazların evsel atıklarla birlikte bertaraf edilmesi yasaktır. Elektrikli ve elektronik cihazlar ayrılarak biriktirilmeli ve çevreye zarar vermeden bertaraf edilmeleri için bir atık değerlendirme tesisine götürülmelidirler. Yerel makamlara veya satıcınıza geri dönüşüm tesisleri ve atık toplama merkezlerinin yerlerini danışınız.



Avrupa uyumluluk işareti



Britanya uyumluluk işareti



Ukrayna uyumluluk işareti



Avrasya uyumluluk işareti



Tür

TECHNICKÁ DATA Příklepové vrtačky	PD2E 22 R (220-240 V)	PD2E 24 R (220-240 V)
Výrobní číslo	4195 71 03... ... 000001-999999	4195 96 03... ... 000001-999999
Jmenovitý příkon	850 W	1020 W
Odběr	460 W	540 W
Volnoběžné otáčky, 1. rychlost	0-1000 min ⁻¹	0-1000 min ⁻¹
Volnoběžné otáčky, 2. rychlost	0-3200 min ⁻¹	0-3200 min ⁻¹
Počet otáček při zatížení max., 1. rychlost	0-680 min ⁻¹	0-680 min ⁻¹
Počet otáček při zatížení max., 2. rychlost	0-2100 min ⁻¹	0-2100 min ⁻¹
Počet úderů max.	40 000 min ⁻¹	40 000 min ⁻¹
Statický krouticí moment*	56/30 Nm	60/33 Nm
Vrtací ø v betonu	20 mm	22 mm
Vrtání ø v cihle a vápenopískové cihle	22 mm	24 mm
Vrtací ø v oceli	13 mm	16 mm
Vrtací ø v dřevě	40 mm	40 mm
Rozsah upnutí sklíčidla	1,5-13 mm	1,5-13 mm
Vrtací vřeteno	1/2" x 20	1/2" x 20
ø upínacího krčku	43 mm	43 mm
Hmotnost podle prováděcího předpisu EPTA 01/2014	2,8 kg	2,9 kg
Informace o hluku		
Naměřené hodnoty odpovídají EN 62841. V třídě A posuzovaná hladina hluku přístroje činí typicky:		
Hladina akustického tlaku (Kolísavost K=3dB(A)) Hladina akustického výkonu (Kolísavost K=3dB(A)) Používejte chrániče sluchu !	98 dB (A) 109 dB (A)	96 dB (A) 107 dB (A)
Informace o vibracích		
Celkové hodnoty vibrací (vektorový součet tří směrů) zjištěnéve smyslu EN 62841.		
Vrtání kovů		
Hodnota vibračních emisí a _{h,d} Kolísavost K=	7,6 m/s ² 1,5 m/s ²	10,0 m/s ² 1,5 m/s ²
Vrtání betonu s příklepem		
Hodnota vibračních emisí a _{h,10} Kolísavost K=	17,1 m/s ² 1,5 m/s ²	17,8 m/s ² 1,5 m/s ²

* Změřeno podle normy Milwaukee N 877318

VAROVÁNÍ!

Úroveň chvění uvedená v tomto návodu byla naměřena podle metody měření stanovené normou EN 62841 a může být použita pro porovnání elektrického nářadí. Hodí se také pro průběžný odhad zatížení chvěním.

Uvedená úroveň chvění představuje hlavní účely použití elektrického nářadí. Jestliže se ale elektrické nářadí používá pro jiné účely, s odlišnými nástroji nebo s nedostatečnou údržbou, může se úroveň chvění odlišovat. To může značně zvýšit zatížení chvěním během celé pracovní doby. Pro přesný odhad zatížení chvěním se musí také zohlednit časy, během kterých je přístroj vypnutý nebo kdy je síce v chodu, ale skutečně se s ním nepracuje. To může zatížení chvěním během celé pracovní doby značně snížit.

Stanovte doplňková bezpečnostní opatření pro ochranu obsluhy před účinky chvění jako například: technická údržba elektrického nářadí a nástrojů, udržování teploty rukou, organizace pracovních procesů.



VAROVÁNÍ Přečtěte si všechny bezpečnostní pokyny, instrukce, popisy a údaje, které obdržíte s přístrojem. Pokud následující pokyny nedodržíte, může to vést k úderu elektrickým proudem, požáru nebo těžkým poraněním.
Všechna varovná upozornění a pokyny do budoucna uschovávejte.

BEZPEČNOSTNÍ POKYNY PRO PRÁCI S VRTAČKOU

1) Bezpečnostní pokyny pro všechny operace

- Při vrtání s přiklepem používejte prostředky k ochraně sluchu.** Nadměrný hluk může vést ke ztrátě sluchu.
- Použijte pomocnou rukojeť / rukojeť.** Nedostatečným držením by mohlo dojít ke zranění.
- Pokud provádíte práce, při kterých může nasazovací nástroj zasáhnout skrytá elektrická vedení nebo vlastní síťový kabel, pak uchopte elektronářadí pouze na izolovaných plochách držadla.** Kontakt řezného nástroje s vedením pod napětím může vést k přenosu napětí na kovové části přístroje a k úrazu elektrickým proudem.

2) Bezpečnostní pokyny při použití dlouhých vrtáků

- Nikdy nepracujte při vyšší rychlosti než maximální rychlost vrtáku.** Při vyšších rychlostech se tento vrták pravděpodobně ohne, když se nechá volně otáčet, aniž by se dotýkal obrobku, čehož důsledkem je zranění osob.
- Vždy začněte vrtat při nízké rychlosti a s hrotem vrtáku v kontaktu s obrobkem.** Při vyšších rychlostech se tento vrták pravděpodobně ohne, když se nechá volně otáčet, aniž by se dotýkal obrobku, čehož důsledkem je zranění osob.
- Použijte tlak pouze v přímé linii s vrtákem a nevystavujte nadměrnému tlaku.** Vrtáky se mohou ohnout, což způsobí zlomení nebo ztrátu kontroly, tím může dojít ke zranění osob.

Další bezpečnostní a pracovní pokyny

Použijte ochranné vybavení. Při práci s elektrickým nářadím používejte vždy ochranné brýle. Doporučujeme rovněž použití součastí ochranného oděvu a ochranné obuvi, jako protiprašné masky, ochranných rukavic, pevné a nekouzlující obuvi, ochranné přílby a ochrany sluchu.

Neustále dbát na to, aby byl kabel pro připojení k elektrické síti mimo dosah stroje. Kabel vést vždy směrem dozadu od stroje.

Nesmějí se opracovávat materiály, které mohou způsobit ohrožení zdraví (např. azbest)

Při vrtání do zdi, stropu nebo podlahy dávat pozor na elektrické kabely, plynová a vodovodní potrubí.

Obrobek zabezpečte upínacím zařízením. Nezabezpečené obrobky mohou způsobit těžká poranění a poškození.

Při práci s diamantovou koroukou vypněte přiklep.

Při zablokování nasazeného nástroje přístroj okamžitě vypněte! Přístroj nezapínajte, pokud je nasazený nástroj zablokovaný; mohl by při tom vzniknout zpětný náraz s vysokým reakčním momentem. Zjistěte příčinu zablokování nasazeného nástroje a odstraňte ji při dodržení bezpečnostních pokynů.

Eventuální příčinou může být:

- vzpříčení v opracovávaném obrobku
- Opracovávaný materiál se zlomí.
- přetížení elektrického přístroje

Nezasahujte do běžícího stroje.

Nasazený nástroj se může během používání rozpálit.
VAROVÁNÍ! Nebezpečí popalení.

- při výměně nástroje
- při odkládání přístroje

Pokud stroj běží, nesmí být odstraňovány třísky nebo odštěpky.

Před zahájením veškerých prací na stroji vytáhnout síťovou zástrčku ze zásuvky.

PROVOZ

Spuštění za studena

Pokud je nástroj skladován delší dobu, aniž by se používal, nebo je skladován při nízkých teplotách, nemusí po spuštění tlouci z důvodu ztuhlého maziva.

Pro zahřátí nástroje

- Vložte vrták nebo sekáč do nástroje a upevněte ho v něm.
- Stiskněte spouštěcí spínač a na několik sekund tlačte vrtákem nebo sekáčem silou na betonový nebo dřevěný povrch. Uvolněte spouštěcí spínač.
- Toto opakujte, dokud nástroj nezačne tlouci. Čím je nástroj chladnější, tím déle bude jeho zahřátí trvat.

OBLASTI VYUŽITÍ

Přiklepová vrtáčka je univerzálně použitelná k vrtání a k přiklepovému vrtání.

CE-PROHLÁŠENÍ O SHODĚ

Prohlašujeme na naši výhradní odpovědnost, že produkt popsán v části „Technické údaje“ splňuje všechna příslušná ustanovení směrnice 2011/65/EU (RoHS) 2006/42/ES 2014/30/EU

a byly použity následující harmonizované normy

EN 62841-1:2015
EN 62841-2-1:2018+A11:2019
EN 55014-1:2017+A11:2020
EN 55014-2:2015
EN 61000-3-2:2014
EN 61000-3-3:2013
EN IEC 63000:2018



Winnenden, 2020-11-27

Alexander Krug / Managing Director
Zpřimocněn k sestavování technických podkladů.

Techtronic Industries GmbH
Max-Eyth-Str. 10, 71364 Winnenden, Germany

PŘIPOJENÍ NA SÍŤ

Ve venkovním prostředí musí být zásuvky vybaveny proudovým chráničem (FI, RCD, PRCD). Je to vyžadováno instalačním předpisem pro toto el.zařízení. Dodržujte ho při používání tohoto nářadí, prosím.

Připojit pouze do jednofázové střídavé sítě o napětí uvedeném na štítku. Lze připojit i do zásuvky bez ochranného kontaktu neboť spotřebič je třídy II.

Stroj zapínat do zásuvky pouze když je vypnutý.

Česky

ÚDRŽBA

Větrací štěrby nářadí udržujeme stále čisté.

Při častém přiklepovém provozu je třeba sklíčidlo pravidelně zbavovat prachem. Za tím účelem podržte stroj tak, aby sklíčidlo směřovalo kolmo dolů a otevřete a zavírejte sklíčidlo v celém upínacím rozsahu. Tak z něj vypadne nahromaděný prach. Doporučuje se také pravidelné používání čistícího spreje (čís. 4932 6217 19) na upínací čelisti a na otvory upínacích čelistí.

V případě nutnosti výměny napájecího kabelu ji musí provést výrobce nebo jeho zástupce, aby nedošlo k ohrožení bezpečnosti.

Používat výhradně příslušenství Milwaukee a náhradní díly Milwaukee. Díly jejichž výměna nebyla popsána, nechte vyměnit v autorizovaném servisu (viz: "Záruky / Seznam servisních míst")

Při potřebě podrobného rozkresu konstrukce, oslovte informaci o typu a čísle přímo servis a nebo výrobce, Techtronic Industries GmbH, Max-Eyth-Straße 10, 71364 Winnenden, Germany.

SYMBOLY



POZOR! VAROVÁNÍ! NEBEZPEČÍ!



Před zahájením veškerých prací na stroji vytáhnout síťovou zástrčku ze zásuvky.



Před spuštěním stroje si pečlivě pročtěte návod k používání.



Příslušenství není součástí dodávky, viz program příslušenství.



Elektrický přístroj s třídou ochrany II. Elektrický přístroj, u kterého ochrana před zásahem el. proudem závisí nejen na základní izolaci, ale i na tom, že budou použita také doplňková ochranná opatření, jakými jsou dvojitá izolace nebo zesílená izolace.

n_0 Volnoběžné otáčky

V Napájení V~



Střídavý proud



Elektrické přístroje se nesmí likvidovat společně s odpadem z domácností. Elektrické a elektronické přístroje je třeba sbírat odděleně a odevzdat je v recyklačním podniku na ekologickou likvidaci. Na místních úřadech nebo u vašeho specializovaného prodejce se informujte na recyklační podniky a sběrné dvory.



Značka shody v Evropě



Značka shody v Británii



Značka shody na Ukrajině



Značka shody pro oblast Eurasie



TECHNICKÉ ÚDAJE Príklepová vŕtačka	PD2E 22 R (220-240 V)	PD2E 24 R (220-240 V)
Výrobné číslo	4195 71 03... ... 000001-999999	4195 96 03... ... 000001-999999
Menovitý príkon	850 W	1020 W
Výkon	460 W	540 W
Otáčky naprázdno, 1. prevodový stupeň	0-1000 min ⁻¹	0-1000 min ⁻¹
Otáčky naprázdno, 2. prevodový stupeň	0-3200 min ⁻¹	0-3200 min ⁻¹
Otáčky pri záťaži max., 1. prevodový stupeň	0-680 min ⁻¹	0-680 min ⁻¹
Otáčky pri záťaži max., 2. prevodový stupeň	0-2100 min ⁻¹	0-2100 min ⁻¹
Počet úderov pri záťaži max.	40 000 min ⁻¹	40 000 min ⁻¹
Statický blokovací moment*	56/30 Nm	60/33 Nm
Priemer vrtu do betónu	20 mm	22 mm
Priemer vrtu do tehly a vápencového pieskovca	22 mm	24 mm
Priemer vrtu do ocele	13 mm	16 mm
Priemer vrtu do dreva	40 mm	40 mm
Upínací rozsah skľúčovadla	1,5-13 mm	1,5-13 mm
Vŕtacie vreteno	1/2" x 20	1/2" x 20
Priemer upínacieho hrdla	43 mm	43 mm
Hmotnosť podľa vykonávacieho predpisu EPTA 01/2014	2,8 kg	2,9 kg
Informácia o hluku Namerané hodnoty určené v súlade s EN 62841. V triede A posudzovaná hladina hluku prístroja činí typicky:		
Hladina akustického tlaku (Kolísavosť K=3dB(A)) Hladina akustického výkonu (Kolísavosť K=3dB(A)) Používajte ochranu sluchu!	98 dB (A) 109 dB (A)	96 dB (A) 107 dB (A)
Informácie o vibráciách Celkové hodnoty vibrácií (vektorový súčet troch smerov) zistených zmysle EN 62841.		
Vŕtanie kovov		
Hodnota vibračných emisií a _{h,D} Kolísavosť K=	7,6 m/s ² 1,5 m/s ²	10,0 m/s ² 1,5 m/s ²
Vŕtanie betónu s príklepom		
Hodnota vibračných emisií a _{h,D} Kolísavosť K=	17,1 m/s ² 1,5 m/s ²	17,8 m/s ² 1,5 m/s ²

* Merané podľa Milwaukee normy N 877318

POZOR!

Úroveň vibrácií uvedená v týchto pokynoch bola nameraná meracou metódou, ktorú stanovuje norma EN 62841 a je možné ju použiť na vzájomné porovnanie elektrického náradia. Hodí sa aj na predbežné posúdenie kmitavého namáhania.

Uvedená úroveň vibrácií reprezentuje hlavné aplikácie elektrického náradia. Ak sa však elektrické náradie používa pre iné aplikácie, s odlišnými vloženými nástrojmi alebo s nedostatočnou údržbou, môže sa úroveň vibrácií líšiť. Toto môže kmitavé namáhanie v priebehu celej pracovnej doby podstatne zvýšiť.

Pre presný odhad kmitavého namáhania by sa mali tiež zohľadniť doby, v ktorých je náradie vypnuté alebo je síce v chode, ale v skutočnosti sa nepoužíva. Toto môže kmitavé namáhanie v priebehu celej pracovnej doby zreteľne redukovať.

Stanovte dodatočné bezpečnostné opatrenia pre ochranu obsluhy pred účinkami vibrácií, ako napríklad: údržba elektrického náradia a vložených nástrojov, udržiavanie teploty rúk, organizácia pracovných postupov.

⚠️ POZOR Prečítajte si všetky bezpečnostné upozornenia, pokyny, vyobrazenia a údaje, ktoré dostanete spolu s prístrojom. Ak by ste nedodržali nasledujúce pokyny, mohlo by to mať za následok zásah elektrickým prúdom, vznik požiaru a/alebo vážne poranenie.

Tieto Výstražné upozornenia a bezpečnostné pokyny starostlivo uschovajte na budúce použitie.

⚠️ BEZPEČNOSTNÉ POKYNY PRE PRÁCU S VRTÁČKOU

1) Bezpečnostné pokyny pre všetky operácie

a) Pri vrtaní s príklepom používajte prostriedky k ochrane sluchu. Nadmerný hluk môže viesť k strate sluchu.

b) Použite pomocnú rukoväť / rukoväťe. Strata kontroly nad strojom môže viesť k zraneniu.

c) Elektrické náradie držte za izolované plochy rukovätí pri vykonávaní takej práce, pri ktorej by mohol rezací nástroj natrafiť na skryté elektrické vedenia alebo zasiahnuť vlastnú prívodnú šnúru náradia. Kontakt rezného nástroja s vedením pod napätím môže viesť k prenosu napätia na kovové časti prístroja a k úrazu elektrickým prúdom.

2) Bezpečnostné pokyny pri použití dlhých vrtákov

a) Nikdy nepracujte pri vyššej rýchlosti ako maximálna rýchlosť vrtáku. Pri vyšších rýchlostiach sa tento vrták pravdepodobne ohne, ak sa nechá voľne otáčať bez toho, aby sa dotýkal obrobku, čoho dôsledkom je zranenie osôb.

b) Vždy začnite vrtáť pri nízkej rýchlosti a s hrotom vrtáka v kontakte s obrobkom. Pri vyšších rýchlostiach sa tento vrták pravdepodobne ohne, ak sa nechá voľne otáčať bez toho, aby sa dotýkal obrobku, čoho dôsledkom je zranenie osôb.

c) Použite tlak len v priamej línii s vrtákom a nevystavujte nadmernému tlaku. Vrtáky sa môžu ohnúť, čo spôsobí zlomenie alebo stratu kontroly, tým môže dôjsť ku zraneniu osôb.

Ďalšie bezpečnostné a pracovné pokyny

Použite ochranné vybavenie. Pri práci s elektrickým náradím používajte vždy ochranné okuliare. Doporučujeme taktiež použitie súčastí ochranného odevu a ochrannej obuvi, ako sú protiprašná maska, ochranné rukavice, pevná a neklzájúca obuv, ochranná prilba a ochrana sluchu.

Pripojovací kábel držte mimo pracovnej oblasti stroja. Kábel smerujte vždy smerom dozadu od stroja.

Nesmú sa opracovávať materiály, ktoré môžu spôsobiť ohrozenie zdravia (napr. azbest)

Pri práci v stene, strope alebo v podlahe dávajte pozor na elektrické káble, plynové a vodovodné potrubia.

Obrobok zabezpečte upínacím zariadením. Nezabezpečené obrobky môžu spôsobiť ťažké poranenia a poškodenia.

Pri práci s diamantovými vrtacími korunkami príklep vypnite.

Pri zablokovaní nasadeného nástroja prístroj okamžite vypnite! Prístroj nezapínajte, pokiaľ je nasadený nástroj zablokovaný; mohol by pri tom vzniknúť spätný náraz s vysokým reakčným momentom. Príčinu zablokovania nasadeného nástroja zistíte a odstránite so zohľadnením bezpečnostných pokynov.

Eventuálnou príčinou môže byť:

- spriechenenie v opracovávanom obrobku
- Zlomenie sa opracovávaného materiálu
- preťaženie elektrického prístroja

Nezasahujte do bežacieho stroja.

Nasadený nástroj sa počas používania môže rozhorúčiť.

POZOR! Nebezpečenstvo popálenia

- pri výmene nástroja
- pri odkladaní prístroja

Triesky alebo úlomky sa nesmú odstraňovať za chodu stroja.

Pred každou prácou na stroji vytiahnite zástrčku zo zásuvky.

PREVÁDZKA

Štartovanie za studena

Ak je nástroj skladovaný dlhší čas alebo pri nízkych teplotách, nemusí na začiatku udierať, pretože mazivo je tuhé.

Pre zahriatie nástroja

1. Vložte a zaistite vrták alebo sekáč do nástroja.
2. Potiahnite spúšťač a na niekoľko sekúnd pôsobte silou na vrták alebo sekáč oproti betónovému alebo drevenému povrchu. Uvoľníte spúšťač.
3. Opakujte, kým nástroj nezačne udierať. Čím je nástroj chladnejší, tým dlhšie bude zahriatie trvať.

POUŽITIE PODĽA PREDPISOV

Príklepová vrtáčka je univerzálne použiteľná na vrtanie a príklepové vrtanie.

CE - VYHLÁSENIE KONFORMITY

Na našu výhradnú zodpovednosť vyhlasujeme, že produkt popísaný v časti „Technické údaje“ spĺňa všetky príslušné ustanovenia smerníc 2011/65/EÚ (RoHS)

2006/42/ES

2014/30/EÚ

a boli použité nasledovné harmonizované normy

EN 62841-1:2015

EN 62841-2-1:2018+A11:2019

EN 55014-1:2017+A11:2020

EN 55014-2:2015

EN 61000-3-2:2014

EN 61000-3-3:2013

EN IEC 63000:2018



Winnenden, 2020-11-27

Alexander Krug / Managing Director
Splnomocnený zostaviť technické podklady.

Techtronic Industries GmbH

Max-Eyth-Straße 10, 71364 Winnenden, Germany

SIETOVÁ PRÍPOJKA

Zásuvky vo vonkajšom prostredí musia byť vybavené ochranným spínačom proti prúdovému nárazom (FI, RCD, PRCD). Toto je inštalčný predpis na Vaše elektrické zariadenie. Venujte prosím tomuto pozornost pri používaní nášho prístroja.

Pripájať len na jednofázový striedavý prúd a na sieťové napätie uvedené na štítku. Pripojenie je možné aj do zásuviek bez ochranného kontaktu, pretože ide o konštrukciu ochrannej triedy II.

Len vypnutý stroj pripájajte do zásuvky.



Slovensky

Slovensky

ÚDRZBA

Vetracie otvory udržiavať stále v čistote.

Pri častom vrtaní s príklepom by malo byť skľúčovadlo pravidelne čistené od prachu. K tomu je potrebné stroj nasmerovať skľúčovadlom kolmo nadol a v celom upínacom rozsahu skľúčovadlo rozotvoriť a zatvoriť. Nazbieraný prach takto zo skľúčovadla vypadne. Odporúča sa pravidelná aplikácia čistiaceho spreju (id.č. 4932 6217 19) na upínacie čeluste a na vrtania upínacích čelustí.

Ak je potrebná výmena napájacieho kábla, musí to urobiť výrobca alebo jeho zástupca, aby sa predišlo bezpečnostnému riziku.

Používať len Milwaukee príslušenstvo a Milwaukee náhradné diely. Súčiastky bez návodu na výmenu treba dať vymeniť v jednom z Milwaukee zákaznických centier (viď brožúru Záruka/Adresy zákaznických centier).

Pri udaní typu stroja a čísla nachádzajúceho sa na štítku dá sa v prípade potreby vyžiadať explozívna schéma prístroja od vášho zákaznického centra alebo priamo v Techtronic Industries GmbH, Max-Eyth-Strabe 10, 71364 Winnenden, Germany.



Slov

SYMBOLY



POZOR! NEBEZPEČENSTVO!



Pred každou prácou na stroji vytiahnite zástrčku zo zásuvky.



Pred prvým použitím prístroja si pozorne prečítajte návod na obsluhu.



Príslušenstvo - nie je súčasťou štandardnej výbavy, odporúčané doplnenie z programu príslušenstva.



Elektrický prístroj triedy ochrany II. Elektrický prístroj, pri ktorom ochrana pred zásahom el. prúdom závisí nie len od základnej izolácie, ale aj od toho, že budú použité aj doplnkové ochranné opatrenia, akými sú dvojité izolácie alebo zosilnená izolácia.

n₀ Otáčky naprázdno

V Napätie



Striedavý prúd



Elektrické prístroje sa nesmú likvidovať spolu s odpadom z domácnosti. Elektrické a elektronické prístroje treba zbierať oddelene a odovzdať ich v recyklačnom podniku na ekologickú likvidáciu. Na miestnych úradoch alebo u vášho špecializovaného predajcu sa spýtajte na recyklačné podniky a zberné dvory.



Značka zhody v Európe



Značka zhody v Británii



Značka zhody na Ukrajine

001



Značka zhody pre oblasť Eurázie

Slovensky

DANE TECHNICZNE Wiertarka udarowa	PD2E 22 R (220-240 V)	PD2E 24 R (220-240 V)
Numer produkcyjny	4195 71 03... ... 000001-999999	4195 96 03... ... 000001-999999
Znamionowa moc wyjściowa	850 W	1020 W
Moc wyjściowa	460 W	540 W
Prędkość bez obciążenia, 1 bieg	0-1000 min ⁻¹	0-1000 min ⁻¹
Prędkość bez obciążenia, 2 bieg	0-3200 min ⁻¹	0-3200 min ⁻¹
Prędkość obrotowa pod obciążeniem maks., 1 bieg	0-680 min ⁻¹	0-680 min ⁻¹
Prędkość obrotowa pod obciążeniem maks., 2 bieg	0-2100 min ⁻¹	0-2100 min ⁻¹
Częstotliwość udaru przy obciążeniu maks.	40 000 min ⁻¹	40 000 min ⁻¹
Moment statyczny zakleszczenia*	56/30 Nm	60/33 Nm
Zdolność wiercenia w betonie	20 mm	22 mm
Zdolność wiercenia w cegła i płytki ceramiczne	22 mm	24 mm
Zdolność wiercenia w stali	13 mm	16 mm
Zdolność wiercenia w drewnie	40 mm	40 mm
Zakres otwarcia uchwytu wiertarskiego	1,5-13 mm	1,5-13 mm
Chwył napędu	1/2" x 20	1/2" x 20
Średnica szyjki uchwytu	43 mm	43 mm
Ciężar wg procedury EPTA 01/2014	2,8 kg	2,9 kg
Informacja dotycząca szumów Zmierzone wartości wyznaczone zgodnie z normą EN 62841. Poziom szumów urządzenia oszacowany jako A wynosi typowo:		
Poziom ciśnienia akustycznego (Niepewność K=3dB(A))	98 dB (A)	96 dB (A)
Poziom mocy akustycznej (Niepewność K=3dB(A))	109 dB (A)	107 dB (A)
Należy używać ochroniaczy uszu!		
Informacje dotyczące wibracji Wartości łączne drgań (suma wektorowa trzech kierunków) wyznaczone zgodnie z normą EN 62841		
Wiercenie w metalu		
Wartość emisji drgań a _{h,d}	7,6 m/s ²	10,0 m/s ²
Niepewność K=	1,5 m/s ²	1,5 m/s ²
Wiercenie udarowe w betonie		
Wartość emisji drgań a _{h,d}	17,1 m/s ²	17,8 m/s ²
Niepewność K=	1,5 m/s ²	1,5 m/s ²

* Zmierzone zgodnie z normą Milwaukee N 877318

OSTRZEŻENIE!

Podany w niniejszych instrukcjach poziom drgań został zmierzony za pomocą metody pomiarowej zgodnej z normą EN 62841 i może być użyty do porównania ze sobą elektronarzędzi. Nadaje się on również do tymczasowej oceny obciążenia wibracyjnego.

Podany poziom drgań reprezentuje główne zastosowania elektronarzędzia. Jeśli jednakże elektronarzędzie użyte zostanie do innych celów z innymi narzędziami roboczymi lub nie jest dostatecznie konserwowane, wtedy poziom drgań może wykazywać odchylenia. Może to wyraźnie zwiększyć obciążenie wibracjami przez cały okres pracy.

Dla dokładnego określenia obciążenia wibracjami należy uwzględnić również czasy, w których urządzenie jest wyłączone względnie jest włączone, lecz w rzeczywistości nie pracuje. Może to spowodować wyraźną redukcję obciążenia wibracyjnego w całym okresie pracy.

Należy wprowadzić dodatkowe środki zapobiegawcze celem ochrony obsługującego przed oddziaływaniem drgań, jak na przykład: konserwacja narzędzi roboczych i elektronarzędzi, nagrzanie rąk, organizacja przebiegu pracy.



⚠ OSTRZEŻENIE Przeczytać wszystkie wskazówki bezpieczeństwa, instrukcje, ilustracje i dane dołączone do urządzenia. Jeśli nie będą przestrzegane następujące przepisy, może dojść do porażenia prądem, pożaru i/lub ciężkich obrażeń ciała.

Należy starannie przechowywać wszystkie przepisy i wskazówki bezpieczeństwa dla dalszego zastosowania.

⚠ WSKAZÓWKI BEZPIECZEŃSTWA DLA WIERTAREK

1) Instrukcje bezpieczeństwa dla wszystkich czynności

a) Do wiercenia udarowego należy zakładać ochronniki słuchu. Hałas może powodować utratę słuchu.

b) Używać zewnętrznych uchwytów. Utrata kontroli może spowodować obrażenia.

c) Podczas prac, przy których elektronarzędzie mogłyby natrafić na ukryte przewody elektryczne lub na własny przewód, należy je trzymać tylko za izolowaną rękkojeść. Styczność narzędzia skrawającego z będącym pod napięciem przewodem może spowodować podłączenie części metalowych urządzenia do napięcia i prowadzić do porażenia prądem elektrycznym.

2) Postępować zgodnie z instrukcją bezpieczeństwa podczas używania wiertła

a) Nigdy nie pracować z prędkością wyższą niż maksymalna dopuszczalna prędkość obrotowa wiertła. Przy wyższych prędkościach obrotowych, w przypadku swobodnego obracania się wiertła bez kontaktu z obrabianym przedmiotem, może dojść do jego zgięcia, co prowadzi do obrażeń ciała.

b) Wiercenie należy rozpoczynać zawsze z małą prędkością obrotową i końcówką wiertła będącą w kontakcie z obrabianym przedmiotem. Przy wyższych prędkościach obrotowych, w przypadku swobodnego obracania się wiertła bez kontaktu z obrabianym przedmiotem, może dojść do jego zgięcia, co prowadzi do obrażeń ciała.

c) Dociskać wiertło tylko osiowo i nie wywierać nadmiernego nacisku. Wiertła mogą się wyginać, powodując złamanie lub utratę kontroli, co może prowadzić do obrażeń ciała.

Dodatkowe wskazówki bezpieczeństwa i instrukcje robocze

Stosować wyposażenie ochronne. Przy pracy maszyną zawsze nosić okulary ochronne. Zalecana jest odzież ochronna, jak maska pyłochronna, rękawice ochronne, mocne i chroniące przed poślizgiem obuwie, kask i ochronniki słuchu.

Kabel zasilający nie może znajdować się w obszarze roboczym elektronarzędzia. Powinien on się zawsze znajdować się za operatorem.

Nie wolno obrabiać materiałów, które mogą być przyczyną zagrożenia zdrowia (na przykład azbestu).

Podczas pracy przy ścianach, sufitach i podłodze należy uważać na kable elektryczne, przewody gazowe i wodociągowe.

Należy zabezpieczyć przedmiot poddawany obróbce za pomocą urządzenia mocującego. Niezabezpieczone przedmioty poddawane obróbce mogą spowodować ciężkie obrażenia ciała i uszkodzenia.

W trybie pracy udarowej nie stosować koronek diamentowych.

W przypadku zablokowania narzędzia nasazanego należy natychmiast wyłączyć urządzenie! Nie należy ponownie włączyć urządzenia tak długo, jak długo narzędzie nasadzone jest zablokowane; przy tym mógłby powstać odrzut zwrotny o dużym momencie reakcyjnym. Należy wykręcić i usunąć przyczynę

zablokowania narzędzia nasazanego uwzględniając wskazówki dotyczące bezpieczeństwa.

Możliwymi przyczynami mogą być:

- Skośne ustawienie się w poddawany obróbce przedmiocie obrabianym
- Przelamanie obrabianego materiału
- Przeciążenie narzędzia elektrycznego

Nie należy sięgać do wnętrza maszyny będącej w ruchu.

Narzędzie nasadzone może w trakcie użytkowania stać się gorące. **OSTRZEŻENIE!** Niebezpieczeństwo oparzenia się

- przy wymianie narzędzia
- przy odstawianiu urządzenia

Podczas pracy elektronarzędzia nie wolno usuwać trocin ani drzazg.

Przed przystąpieniem do jakichkolwiek prac związanych z elektronarzędziem należy wyjąć wtyczkę z gniazdka.

PROCES CIĘCIA

Zimny rozruch

Jeśli narzędzie to jest nieużywane przez długi czas lub przechowywane w niskich temperaturach, może początkowo nie zadziałać, ponieważ smar uległ degradacji.

Rozgrzewanie narzędzia

1. Włożyć i zamocować wiertło lub dłuto do narzędzia.
2. Wcisnąć przycisk i przez kilka sekund docisnąć wiertło lub dłuto do betonowej lub drewnianej powierzchni. Zwolnić przycisk.
3. Powtarzać, aż narzędzie zacznie pracować. Im zimniejsze jest narzędzie, tym dłużej potrwa rozgrzewanie.

WARUNKI UŻYTKOWANIA

Wiertarka/wkrętarka do uniwersalnych zastosowań przy wierceniu i wierceniu udarowym.

DEKLARACJA ZGODNOŚCI CE

Oświadczamy na naszą wyłączną odpowiedzialność, że produkt opisany pod „Dane techniczne” spełnia wszystkie istotne przepisy dyrektywy

2011/65/UE (RoHS)

2006/42/WE

2014/30/UE

i zastososawo następujące zharmonizowane normy

EN 62841-1:2015

EN 62841-2-1:2018+A11:2019

EN 55014-1:2017+A11:2020

EN 55014-2:2015

EN 61000-3-2:2014

EN 61000-3-3:2013

EN IEC 63000:2018



Winnenden, 2020-11-27

Alexander Krug / Managing Director

Upelnomocniony do zestawienia danych technicznych

Techtronic Industries GmbH

Max-Eyth-Straße 10, 71364 Winnenden, Germany

PODŁĄCZENIE DO SIECI

Urządzenia pracujące w wielu różnych miejscach, w tym poza pomieszczeniami zamkniętymi, należy podłączać poprzez ochronny (FI, RCD, PRCD) wyłącznik udarowy.

Podłączać tylko do źródła zasilania prądem zmiennym jednofazowym i wyłącznie o napięciu podanym na tabliczce znamionowej. Możliwe jest również podłączenie do gniazdka bez uziemienia, ponieważ konstrukcja odpowiada II klasie bezpieczeństwa.

Elektronarzędzie można podłączać do gniazdka sieciowego tylko wtedy, kiedy jest wyłączone.

UTRZYMANIE I KONSERWACJA

Otwory wentylacyjne elektronarzędzia muszą być zawsze drożne.

Jeśli elektronarzędzia używa się głównie do wiercenia udarowego, należy regularnie oczyszczać uchwyt narzędziowy z pyłu. Trzymając elektronarzędzie uchwytem pionowo skierowane w dół, należy go całkowicie otworzyć, a następnie zamknąć. Nagromadzony pył wyleci z uchwyty. Zaleca się regularne czyszczenie szczęk zaciskowych i usuwanie wiórów wiertarskich przy pomocy środka czyszczącego (Nr. ident. 4932 6217 19).

Jeśli konieczna jest wymiana przewodu zasilającego, musi to zostać wykonane przez producenta lub jego przedstawiciela w celu uniknięcia zagrożenia bezpieczeństwa.

Używać tylko i wyłącznie wyposażenia dodatkowego Milwaukee i części zamiennych Milwaukee. Gdyby trzeba było wymienić części, które nie zostały opisane, należy skontaktować się z przedstawicielem serwisu Milwaukee (patrz wykaz adresów punktów usługowych/gwarancyjnych).

Na życzenie można otrzymać rysunek widoku zespołu rozebranego. Przy zamawianiu należy podać numer oraz typ elektronarzędzia umieszczony na tabliczce znamionowej. Zamówienia można dokonać albo u lokalnych przedstawicieli serwisu, albo bezpośrednio w Techtronic Industries GmbH, Max-Eyth-Straße 10, 71364 Winnenden, Germany.

SYMBOLE



UWAGA! OSTRZEŻENIE NIEBEZPIECZEŃSTWO!



Przed przystąpieniem do jakichkolwiek prac związanych z elektronarzędziem należy wyjąć wtyczkę z gniazdka.



Przed uruchomieniem elektronarzędzia zapoznać się uważnie z treścią instrukcji.



Wyposażenie dodatkowe dostępne osobno.



Elektronarzędzie klasy ochrony II. Elektronarzędzie, w którym zabezpieczenie przed porażeniem prądowym zależy nie tylko od izolacji podstawowej, lecz również od tego, czy zostały zastosowane dodatkowe środki ochrony, takie jak: izolacja podwójna lub izolacja wzmocniona.

n₀

Prędkość bez obciążenia

V

Napięcie V~



Prąd przemienny



Urządzenia elektryczne nie mogą być usuwane razem z odpadami pochodzącymi z gospodarstw domowych. Urządzenia elektryczne i elektroniczne należy gromadzić oddzielnie i w celu usuwania ich do odpadów zgodnie z wymaganiami środowiska naturalnego oddawać do przedsiębiorstwa utylizacyjnego. Proszę zasięgnąć informacji o centrach recyklingowych i punktach zbiorczych u władz lokalnych lub u wyspecjalizowanego dostawcy.



Europejski Certyfikat Zgodności



Brytyjski Certyfikat Zgodności



Ukraiński Certyfikat Zgodności

001



Euroazjatycki Certyfikat Zgodności



MŰSZAKI ADATOK Útvefűrógép	PD2E 22 R (220-240 V)	PD2E 24 R (220-240 V)
Gyártási szám	4195 71 03... ... 000001-999999	4195 96 03... ... 000001-999999
Névleges teljesítményfelvétel	850 W	1020 W
Leadott teljesítmény	460 W	540 W
Üresjárat fordulatszám, 1. Fokozat	0-1000 min ⁻¹	0-1000 min ⁻¹
Üresjárat fordulatszám, 2. Fokozat	0-3200 min ⁻¹	0-3200 min ⁻¹
Fordulatszám terhelés alatt max., 1. Fokozat	0-680 min ⁻¹	0-680 min ⁻¹
Fordulatszám terhelés alatt max., 2. Fokozat	0-2100 min ⁻¹	0-2100 min ⁻¹
Ütésszám terhelés alatt max.	40 000 min ⁻¹	40 000 min ⁻¹
Statikus blokkoló mozgás*	56/30 Nm	60/33 Nm
Furat- \emptyset betonba	20 mm	22 mm
Furat- \emptyset téglába és mészkőbe	22 mm	24 mm
Furat- \emptyset acélba	13 mm	16 mm
Furat- \emptyset fába	40 mm	40 mm
Befogási tartomány	1,5-13 mm	1,5-13 mm
Fúrótengely	1/2" x 20	1/2" x 20
Feszítőnyak- \emptyset	43 mm	43 mm
Súly a 01/2014 EPTA-eljárás szerint	2,8 kg	2,9 kg
Zajinformáció A köztölt értékek megfelelnek az EN 62841 szabványnak. A készülék munkahelyi zajszintje tipikusan:		
Hangnyomás szint (K bizonytalanság=3dB(A))	98 dB (A)	96 dB (A)
Hangteljesítmény szint (K bizonytalanság=3dB(A))	109 dB (A)	107 dB (A)
Hallásvédő eszköz használata ajánlott!		
Vibráció-információk Összesített rezgésértékek (három irány vektorális összeg az EN 62841-nek megfelelően meghatározva.)		
Fúrás fémben		
rezgésemisszió érték $a_{h,D}$	7,6 m/s ²	10,0 m/s ²
K bizonytalanság	1,5 m/s ²	1,5 m/s ²
Útvefűrés betonban		
rezgésemisszió érték $a_{h,ID}$	17,1 m/s ²	17,8 m/s ²
K bizonytalanság	1,5 m/s ²	1,5 m/s ²

* Az Milwaukee N 877318 szabvány szerint mérve

FIGYELMEZTETÉS!

A jelen utasításokban megadott rezgésszint értéke az EN 62841-ben szabályozott mérési eljárásnak megfelelően került leérésre, és használható elektromos szerszámokkal történő összehasonlításhoz. Az érték alkalmas a rezgésterhelés előzetes megbecslésére is.

A megadott rezgésszint-érték az elektromos szerszám legfőbb alkalmazásait reprezentálja. Ha az elektromos szerszámot azonban más alkalmazásokhoz, eltérő használt szerszámokkal vagy nem elegendő karbantartással használják, a rezgésszint értéke eltérő lehet. Ez jelentősen megnövelheti a rezgésterhelést a munkavégzés teljes időtartama alatt.

A rezgésterhelés pontos megbecsléséhez azokat az időket is figyelembe kell venni, melyekben a készülék lekapcsolódik, vagy ugyan működik, azonban ténylegesen nincs használatban. Ez jelentősen csökkentheti a rezgésterhelést a munkavégzés teljes időtartama alatt. Határozzon meg további biztonsági intézkedéseket a kezelő védelmére a rezgések hatása ellen, például: az elektromos és a használt szerszámok karbantartásával, a kezek melegen tartásával, a munkafolyamatok megszervezésével.

▲ FIGYELMEZTETÉS Olvasson el minden, a géppel együtt megkapott biztonsági utalást, utasítást, ábrázolást és adatot. Ha nem tartja be a következő előírásokat, akkor ez áramütéshez, tűzhoz és/vagy súlyos személyi sérülésekhez vezethet.

Kérjük a későbbi használatra gondosan őrizze meg ezeket az előírásokat.

▲ BIZTONSÁGI ÚTMUTATÁSOK FŰRŐGÉPEKHEZ

1) Biztonsági utasítások minden munkaművelethez

- a) Űtvefűráskor viseljen hallásvédőt.** A zaj hatása hallásvéstést okozhat.
- b) Használja a kiegészítő fogantyú(ka)t.** A készülék fölötti ellenőrzés elvesztése sérüléseket okozhat.
- c) Az elektromos kéziszerszámot csak a szigetelt fogantyúfelületeknél fogva tartsa, ha olyan munkát végez, amelynek során a betétszerszám feszültség alatt álló, kívülről nem látható vezetékhez, vagy a készülék saját hálózati csatlakozó kábeljéhez érhet.** A vágószerszám feszültségvezető vezetékkel való érintkezésekor a készülék fém részei is feszültség alá kerülhetnek, és elektromos áramütés következhet be.

2) Biztonsági utasítások hosszú fűrészárok használatára

- a) Soha ne üzemeltesse a fűrészárhoz előírt maximális fordulatszámnál nagyobb fordulatszámmal.** Nagyobb fordulatszámnál a fűrészárok hajlamos meghajolni, ha a munkadarabbal való érintkezés nélkül szabadon foroghat, ami személyi sérüléshez vezethet.
- b) A fűrészt mindig kis fordulatszámra kezdje és úgy, hogy a fűrészárok csúcsa érintkezzen a munkadarabbal.** Nagyobb fordulatszámnál a fűrészárok hajlamos meghajolni, ha a munkadarabbal való érintkezés nélkül szabadon foroghat, ami személyi sérüléshez vezethet.
- c) Mindig csak a fűrészárok vonalában fejtse ki nyomóerőt és ne alkalmazzon túlzott nyomást.** A fűrészárok meghajolhatnak, ami töréshez és az uralom elvesztéséhez vezet, ez pedig személyi sérülést okozhat.

További biztonsági és munkavédelmi utasítások

Használjon védőfelszerelést! Ha a gépen dolgozik, mindig hordjon védőszemüveget! Javasoljuk a védőruházat, úgymint porvédő maszk, védőcipő, erős és csúszásbiztos lábbeli, sisak és hallásvédő használatát.

Munka közben a hálózati csatlakozókábelt a sérülés elkerülése érdekében a munkaterülettől, illetve a készüléktől távol kell tartani.

Nem szabad olyan anyagokat megmunkálni, amelyek egészségre veszélyesek (pl. azbesztt).

Falban, földemben, aljzatban történő fűrésznél fokozottan ügyelni kell az elektromos-, víz- és gázvezetésekre.

Biztosítsa a munkadarabot befogó szerkezettel. A nem biztosított munkadarabok súlyos sérüléseket és károkat okozhatnak.

Gyémánt fűrókorona használatakor kapcsolja ki az ütőfunkciót.

A betétszerszám elakadásakor azonnal ki kell kapcsolni a készüléket! Addig ne kapcsolja vissza a készüléket, amíg a betétszerszám elakadása fennáll; ennek során nagy ellennyomatékú visszarúgás történhet. Határozza és szüntesse meg a betétszerszám elakadásának okát a biztonsági útmutatások betartása mellett.

Ennek a következők lehetnek az okai:

- a szerszám elakad a megmunkálandó munkadarabban
- A megmunkálandó anyag átszakadt
- az elektromos szerszám túlterhelése

Ne nyúljon a járó géphez.

A betétszerszám az alkalmazás során felforrósodhat.

FIGYELMEZTETÉS! Égési sérülések veszélye

- szerszámcserékor
- a készülék lerakásakor

A munka közben keletkezett forgácsokat, szilánkokat, törmelékét, stb. csak a készülék teljes leállása után szabad a munkaterületről eltávolítani.

Bármilyen jellegű karbantartás vagy javítás előtt a készüléket áramtalanítani kell.

ÜZEMELTETÉS

Hidegindítás

Ha a szerszám hosszú ideig vagy alacsony hőmérsékleten tárolják, akkor lehetséges, hogy a kenőanyag megdermedése miatt kezdetben nem használható.

A szerszám bemelegítése

1. Helyezzen be és rögzítsen egy fűrő- vagy vésőszárat a szerszámba.

2. Húzza meg a be-/kikapcsológombot, és néhány másodpercig alkalmazzon erőt a fűrő- vagy vésőszárra beton vagy fa felületen. Engedje fel a be-/kikapcsológombot.

3. Ismétlje meg ezt mindaddig, amíg a fűrő-/vésőkalapács működni nem kezd. Minél hidegebb a szerszám, annál hosszabb időt vesz igénybe a bemelegedés.

RENDELTESSZERŰ HASZNÁLAT

Az űtvefűró általánosan használható fűrészhöz és űtvefűráshoz.

CE-AZONOSSÁGI NYILATKOZAT

Kizárólagos felelősségünk alapján kijelentjük, hogy a „Műszaki adatok” fejezetben leírt termék megfelel a irányelvek összes vonatkozó rendelkezésének

2011/65/EU (RoHS)

2006/42/EK

2014/30/EU

harmonizált szabvány és a

EN 62841-1:2015

EN 62841-2-1:2018+A11:2019

EN 55014-1:2017+A11:2020

EN 55014-2:2015

EN 61000-3-2:2014

EN 61000-3-3:2013

EN IEC 63000:2018



Winnenden, 2020-11-27

Alexander Krug / Managing Director

Műszaki dokumentáció összeállításra felhatalmazva

Techtronic Industries GmbH

Max-Eyth-Straße 10, 71364 Winnenden, Germany



HÁLÓZATI CSATLAKOZTATÁS

Szabadban a dugaljat hibaáram-védőkapcsolóval kell ellátni. Az elektromos készülékek üzembehelyezési útmutatása ezt kötelezően előírja (FI, RCD, PRCD). Ügyeljen erre az elektromos kéziszerszámok használatakor is.

A készüléket csak egyfázisú váltóáramra és a teljesítménytáblán megadott hálózati feszültségre csatlakoztassa. A csatlakoztatás védőérintkező nélküli dugaszolóaljzatokra is lehetséges, mivel a készülék felépítése II. védettségi osztályú.

A készüléket csak kikapcsolt állapotban szabad ismét áram alá helyezni.

KARBANTARTÁS

A készülék szellőzőnyílásait mindig tisztán kell tartani.

Gyakori ütvefűrés esetén a tokmányt időről-időre meg kell tisztítani. A tisztításhoz fordítsa a készüléket tokmánnyal lefelé és a tokmányt teljes befogási tartományban nyissa, illetve zárja. Az összegyűlt por kihullik a tokmányból. Tisztítóspray (4932 6217 19) rendszeres használata a feszítőpofák és furataik tisztításához ajánlott.

Ha a hálózati kábel cseréje szükséges, akkor ezt a biztonsági kockázat elkerülése érdekében a gyártóval vagy annak megbízottjával kell elvégeztetni.

Csak Milwaukee tartozékokat és Milwaukee pótalkatrészeket szabad használni. Az olyan elemeket, melyek cseréje nincs ismertetve, cseréltesse ki Milwaukee szervizzel (lásd Garancia/Ügyfélszolgálat címei kiadványt).

Szükség esetén a készülékek robbantott ábráját - a készülék típusa és azonosító száma alapján a területileg illetékes Milwaukee márkaszerviztől vagy közvetlenül a gyártótól (Techtronic Industries GmbH, Max-Eyth-Straße 10, 71364 Winnenden, Germany) lehet kérni.

SZIMBÓLUMOK



FIGYELEM! FIGYELMEZTETÉS! VESZÉLY!



Bármilyen jellegű karbantartás vagy javítás előtt a készüléket áramtalanítani kell.



Kérjük alaposan olvassa el a tájékoztatót mielőtt a gépet használja.



Azokat a tartozékokat, amelyek gyárilag nincsenek a készülékhez mellékelve, külön lehet megrendelni.



II. védelmi osztályú elektromos szerszám. Olyan elektromos szerszám, amelynél az elektromos áramütés elleni védelem nem csak az alapszigeteléstől függ, hanem amelyben kiegészítő védőintézkedéseket, mint pl. kettős szigetelés vagy megerősített szigetelés, alkalmaznak.

n₀

Üresjáratú fordulatszám

V

Volt AC



Váltóáram



Az elektromos eszközöket nem szabad a háztartási hulladékkal együtt ártalmatlanítani. Az elektromos és elektronikus eszközöket szelektíven kell gyűjteni, és azokat környezetbarát ártalmatlanítás céljából hulladékhasznosító üzemben kell leadni. A helyi hatóságoknál vagy szakkereskedőjénél tájékozódjon a hulladékudvarokról és gyűjtőhelyekről.



Európai megfelelőségi jelölés



Egyesült királyságbeli megfelelőségi jelölés



Ukrán megfelelőségi jelölés

001



Eurázsiai megfelelőségi jelölés



Mag

TEHNIČNI PODATKI Udarni vrtniki	PD2E 22 R (220-240 V)	PD2E 24 R (220-240 V)
Proizvodna številka	4195 71 03... ... 000001-999999	4195 96 03... ... 000001-999999
Nazivna sprejemna moč	850 W	1020 W
Oddajna zmogljivost	460 W	540 W
Število vrtljajev v prostem teku, 1. prestava	0-1000 min ⁻¹	0-1000 min ⁻¹
Število vrtljajev v prostem teku, 2. prestava	0-3200 min ⁻¹	0-3200 min ⁻¹
Število vrtljajev pri obremenitvi maks., 1. prestava	0-680 min ⁻¹	0-680 min ⁻¹
Število vrtljajev pri obremenitvi maks., 2. prestava	0-2100 min ⁻¹	0-2100 min ⁻¹
Bremensko število udarcev maks.	40 000 min ⁻¹	40 000 min ⁻¹
Statični blokirni moment*	56/30 Nm	60/33 Nm
Vrtni ø v betonu	20 mm	22 mm
Vrtni ø v opeki in apnenem peščencu	22 mm	24 mm
Vrtni ø v jeklu	13 mm	16 mm
Vrtni ø v lesu	40 mm	40 mm
Napenjalno področje vpenjalne glave	1,5-13 mm	1,5-13 mm
Vrtno vreteno	1/2" x 20	1/2" x 20
Vpenjalni vrat ø	43 mm	43 mm
Teža po EPTA-proceduri 01/2014	2,8 kg	2,9 kg
Informacije o hrupnosti Vrednosti merjenja ugotovljene ustrezno z EN 62841. Raven hrupnosti naprave ovrednotena z A, znaša tipično:		
Nivo zvočnega tlaka (Nevarnost K=3dB(A))	98 dB (A)	96 dB (A)
Višina zvočnega tlaka (Nevarnost K=3dB(A))	109 dB (A)	107 dB (A)
Nosite zaščito za sluh!		
Informacije o vibracijah Skupna vibracijska vrednost (Vektorska vsota treh smerdoločena ustrezno EN 62841.		
Vrtanje v kovine		
Vibracijska vrednost emisij a _{h,D}	7,6 m/s ²	10,0 m/s ²
Nevarnost K=	1,5 m/s ²	1,5 m/s ²
Udarno vrtanje v beton		
Vibracijska vrednost emisij a _{h,1D}	17,1 m/s ²	17,8 m/s ²
Nevarnost K=	1,5 m/s ²	1,5 m/s ²

* Izmerjeno po Milwaukee normi N 877318

POPOZORILO!

V teh navodilih navedena raven treslajev je bila izmerjena po EN 62841 normiranem merilnem postopku in lahko služi medsebojni primerjavi električnih orodij. Prav tako je primeren za predhodno oceno obremenitve s treslaji.

Navedena raven treslajev navaja najpomembnejše vrste rabe električnega orodja. Kadar se električno orodje uporablja za drugačne namene, z odstopajočimi orodji ali pa z nezadostnim vzdrževanjem, lahko raven treslajev tudi odstopa. Le to lahko čez celoten delovni čas znatno zviša obremenitev s tresenjem.

Za natančno oceno obremenitve s treslaji naj bi se upošteval tudi čas v katerem je naprava izklopljena ali sicer teče, vendar dejansko ni v rabi. Le to lahko obremenitev s treslaji čez celoten delovni čas znatno zmanjša.

Za zaščito upravljalca pred učinkom treslajev uvedite dodatne zaščitne ukrepe npr.: Vzdrževanje električnega orodja in orodja, delo s toplimi rokami, organizacija delovnih potočkov.



Slo

⚠ OPOZORILO Preberite vse varnostne napotke, navodila, prikaze in podatke, ki ste jih prejeli skupaj z napravo.

Zaradi nespoštovanja spodaj navedenih navodil lahko pride do električnega udara, požara in/ali težkih telesnih poškodb.

Vsa opozorila in napotila shranite, ker jih boste v prihodnje še potrebovali.

⚠ VARNOSTNI NAPOTKI ZA VRTALNI STROJ

1) Varnostna navodila za vse uporabe

a) Pri udarnemu vrtenju nosite slušnik. Hrup lahko povzroči izgubo sluha.

b) Uporabite pomožni ročaj. Izguba kontrole lahko povzroči poškodbe.

c) Če izvajate dela, pri katerih bi lahko vstavno orodje zadelo ob skrite električne vodnike ali ob lastni omrežni kabel, držite električno orodje samo za izolirane ročaje. Stik rezalnega orodja z napetostnim vodnikom napeljave lahko privede kovinske dele naprave pod napetost in vodi do električnega udara.

2) Varnostni napotki pri uporabi dolgih svedrov

a) Nikoli ne delajte z višjo hitrostjo od najvišjega števila vrtljajev svadra. Pri višjih hitrostih se lahko sveder upogne, če se lahko prosto vrti, ne da bi se dotaknil obdelovanca, kar lahko privede do telesnih poškodb.

b) Vedno začnite pri nizki hitrosti in tako, da se sveder dotika obdelovanca. Pri višjih hitrostih se lahko sveder upogne, če se lahko prosto vrti, ne da bi se dotaknil obdelovanca, kar lahko privede do telesnih poškodb.

c) Uporabite pritisk samo pri neposredni črti z nastavkom in ne pritisčajte preveč. Nastavki se lahko upognejo in povzročijo prelom ali izgubo nadzora, kar lahko privede do telesnih poškodb.

Nadaljna varnostna in delovna opozorila

Uporabite zaščitno opremo. Pri delu s strojem vedno nosite zaščitna očala. Priporočajo se zaščitka oblačila, kot npr. maska za zaščito proti prahu, zaščitne rokavice, trdno in neдрсеče obuvanje, čelada in zaščitna za sluha.

Vedno pazite, da se priključni kabel ne približa področju delovanja stroja. Kabel vedno vodite za strojem.

Obdelava materialov, iz katerih izhaja ogroženost zdravja (npr. azbest), ni dovoljena.

Pri delih na steni, stropu ali v tleh pazite na električne kable, plinske in vodne napeljave.

Obdelovanec zavarujte z vpenjalno pripravo. Nezavarovani obdelovanci lahko povzročijo težke poškodbe in okvare.

Pri delu z diamantnimi vrtalnimi kronami izklopite udarno delovanje.

V primeru blokade orodja napravo takoj izklopite! Naprave ponovno ne vklopljajte dokler je orodje blokirano; pri tem bi lahko prišlo do povratnega udara z velikim reakcijskim momentom. Ugotovite in odpravite vzroke blokade orodja ob upoštevanju varnostnih navodil.

Možni vzroki so lahko:

- Zagozditev v obdelovancu
- Preboj obdelovanega materiala
- Preobremenitev električnega orodja

Ne segajte v stroj v teku.

Orodje lahko med uporabo postane vroče.

OPOZORILO! Nevarnost opeklin

- pri menjavi orodja
- pri odlaganju naprave

Trske ali iveri se pri tekočem stroju ne smejo odstranjevati.

Pred vsemi deli na stroju izvlecite vtičnik iz vtičnice.

UPRAVLJANJE

Hladen zagon

Če orodje hranite dalj časa ali pri nizkih temperaturah, morda ne bo začelo pribijati, ker se mast strdi.

Segrevanje orodja

1. Vstavite in zaskočite ploščico ali dleto v orodje.

2. Aktivirajte sprožilno in stisnite ploščico ali dleto ob beton ali leseno površino za nekaj sekund. Sprostite sprožilno.

3. Ponavljajte, dokler orodje na začne pribijati. Hladnejše ko je orodje, dalj časa bo trajalo segrevanje.

UPORABA V SKLADU Z NAMEDBOSTJO

Vrtalno kladivo je univerzalno uporabno za vrtenje in udarno vrtenje.

CE-IZJAVA O KONFORMNOSTI

S polno odgovornostjo izjavljam, da izdelek, opisan pod „Tehnični podatki“ izpolnjuje vse ustrezne določbe direktiv

2011/65/EU (RoHS)

2006/42/ES

2014/30/EU

ter da so bili uporabljeni naslednji harmonizirani standardi

EN 62841-1:2015

EN 62841-2-1:2018+A11:2019

EN 55014-1:2017+A11:2020

EN 55014-2:2015

EN 61000-3-2:2014

EN 61000-3-3:2013

EN IEC 63000:2018



Winnenden, 2020-11-27

Alexander Krug / Managing Director

Pooblaščen za izdelavo spisov tehnične dokumentacije.

Techtronic Industries GmbH

Max-Eyth-Straße 10, 71364 Winnenden, Germany

OMREŽNI PRIKLJUČEK

Vtičnice v zunanem področju morajo biti opremljene z zaščitnimi stikali za okvarni tok (FI, RCD, PRCD). To zahteva instalacijski predpis za vašo električno napravo. Prosimo, da to pri uporabi naše naprave upoštevate.

Priključite samo na enofazni izmenični tok in samo na omrežno napetost, ki je označena na tipski ploščici. Priključitev je možna tudi na vtičnice brez zaščitnega kontakta, ker obstaja nadgradnja zaščitnega razreda.

Stroj priključite na vtičnico samo v izklopljenem stanju.

VZDRŽEVANJE

Pazite na to, da so prezračevalne reže stroja vedno čiste.

Pri pogostem obratovanju udarnega vrtenja z vpenjalne glave redno očistite prah. V ta namen vrtnalo vpenjalno glavo držite navpično navzdol ter odprite in zaprite vpenjalno glavo preko celotnega napenjalnega področja. Prah, ki se je nabral, tako pade iz vrtnalne vpenjalne glave. Priporoča se redna uporaba čistilnega spreja (Id.št. 4932 6217 19) na napenjalnih čeljustih in na vrtninah napenjalnih čeljusti.

Če je potrebna zamenjava napajalnega kabla, mora to storiti proizvajalec ali njegov zastopnik, da bi se izognili nevarnosti za varnost.

Uporabljajte samo Milwaukee pribor in Milwaukee nadomestne dele. Poskrbite, da sestavne dele, katerih zamenjava ni opisana, zamenjajo v Milwaukee servisni službi (upoštevajte brošuro Garancija aslovi servisnih služb).

Po potrebi se lahko pri vaši servisni službi ali direktno pri Techtronic Industries GmbH naroči eksplozijska risba naprave ob navedbi tipa stroja in številke s tipske ploščice Techtronic Industries GmbH, Max-Eyth-Strabe 10, 71364 Winnenden, Germany.

SIMBOLI



POZOR! OPOZORILO! NEVARNO!



Pred vsemi deli na stroju izvlomite vtičnik iz vtičnice.



Prosimo, da pred uporabo pozorno preberete to navodilo za uporabo.



Oprema – ni vsebovana v obsegu dobave, priporočeno dopolnilo iz programa opreme.



Električno orodje zaščitnega razreda II. Električno orodje, pri katerem zaščita pred električnim udarom ni odvisna zgolj od osnovne izolacije, temveč tudi od tega, da so uporabljeni dodatni ukrepi, kot dvojna ali okrepljena izolacija.

n₀

Število vrtljajev v prostem teku

V

Napetost



Izmenični tok



Električnih naprav ni dovoljeno odstranjevati skupaj z gospodinjstvi odpadki. Električne in elektronske naprave je potrebno zbirati ločeno in za okolju prijazno odstranitev, oddati podjetju za reciklažo. Pri krajevnem uradu ali vašem strokovnem prodajalcu se pozanimajte glede reciklažnih dvorišč in zbirnih mest.



Evropska oznaka za združljivost



Britanska oznaka za združljivost



Ukrajinska oznaka za združljivost



Evrazijska oznaka za združljivost





TEHNIČKI PODACI Udarna bušilica	PD2E 22 R (220-240 V)	PD2E 24 R (220-240 V)
Broj proizvodnje	4195 71 03... ... 000001-999999	4195 96 03... ... 000001-999999
Snaga nominalnog prijema	850 W	1020 W
Predajni učinak	460 W	540 W
Broj okretaja praznog hoda, 1. Brzina	0-1000 min ⁻¹	0-1000 min ⁻¹
Broj okretaja praznog hoda, 2. Brzina	0-3200 min ⁻¹	0-3200 min ⁻¹
Broj okretaja pod opterećenjem max., 1. Brzina	0-680 min ⁻¹	0-680 min ⁻¹
Broj okretaja pod opterećenjem max., 2. Brzina	0-2100 min ⁻¹	0-2100 min ⁻¹
Broj udaraca pod opterećenjem max.	40 000 min ⁻¹	40 000 min ⁻¹
Statični moment blokiranja*	56/30 Nm	60/33 Nm
Bušenje- \emptyset u beton	20 mm	22 mm
Bušenje- \emptyset u opeku i silikatnu opeku	22 mm	24 mm
Bušenje- \emptyset u čelik	13 mm	16 mm
Bušenje- \emptyset u drvo	40 mm	40 mm
Područje stezne glave za stezanje svrdla	1,5-13 mm	1,5-13 mm
Vreteno za bušenje	1/2" x 20	1/2" x 20
Stezno grlo- \emptyset	43 mm	43 mm
Težina po EPTA-proceduri 01/2014	2,8 kg	2,9 kg
Informacije o buci Mjerne vrijednosti utvrđene odgovarajuće EN 62841. A-ocijenjeni nivo buke aparata iznosi tipično:		
Nivo pritiska zvuka (Nesigurnost K=3dB(A))	98 dB (A)	96 dB (A)
Nivo učinka zvuka (Nesigurnost K=3dB(A))	109 dB (A)	107 dB (A)
Nositi zaštitu sluha!		
Informacije o vibracijama Ukupne vrijednosti vibracije (Vektor suma tri smjersu odmjerene odgovarajuće EN 62841)		
Bušenje metala		
Vrijednost emisije vibracije $a_{h,D}$	7,6 m/s ²	10,0 m/s ²
Nesigurnost K=	1,5 m/s ²	1,5 m/s ²
Udarno bušenje u betonu		
Vrijednost emisije vibracije $a_{h,1D}$	17,1 m/s ²	17,8 m/s ²
Nesigurnost K=	1,5 m/s ²	1,5 m/s ²

* Mjereno po Milwaukee normi N 877318

UPOZORENIE!

Ova u ovim uputama navedena razina titranja je bila izmjerena odgovarajuće jednom u EN 62841 normiranom mjernom postupku i može se upotrijebiti za usporedbu električnog alata međusobno. Ona je prikladna i za privremenu procjenu titrajnog opterećenja.

Navedena razina titranja reprezentira glavne primjene električnog alata. Ukoliko se električni alat upotrebljava u druge svrhe sa odstupajućim primijenjenim alatima ili nedovoljnim održavanjem, onda razina titranja može odstupati. To može titrajno opterećenje kroz cijeli period rada bitno povišiti.

Za točnu procjenu titrajnog opterećenja se moraju uzeti u obzir i vremena u kojima je uređaj isključen ili u kojima doduše radi, ali nije i stvarno u upotrebi. To može titrajno opterećenje bitno smanjiti za vrijeme cijelog radnog perioda.

Utvrđite dodatne sigurnosne mjere za zaštitu poslužioaca protiv djelovanja titranja kao npr.: Održavanje električnih alata i upotrebljenih alata, održavanje topline ruku, organizacija i radne postupke.

⚠ UPOZORENJE Pročitajte sve sigurnosne upute, napomene, prikaze i podatke koje dobijete uz uređaj. Ako se ne bi pridržavali slijedećih uputa, moglo bi doći do električnog udara, požara i/ili teških ozljeda. Sačuvajte sve napomene o sigurnosti i upute za buduću primjenu.

⚠ SIGURNOSNE UPUTE ZA BUŠILICE

1) Sigurnosne upute za sve upotrebe

- a) Kod uradnog bušenja nosite zaštitu za sluh.** Djelovanje buke može uzrokovati gubitak sluha.
- b) Koristite pomoćnu(e) ručki(e).** Gubitak kontrole može prouzročiti povrede.
- c) Ako izvodite radove kod kojih bi radni alat mogao zahvatiti skrivene električne vodove ili vlastiti priključni kabel, električni alat držite samo za izolirane ručke.** Kontakt rezačkog alata sa vodovima koji sprovode napon može metalne dijelove sprave dovesti pod napon i tako dovesti do električnog udara.

2) Sigurnosne upute za korištenje dugačkih svrdla za bušenje

- a) Nemojte nikada bušiti s većom brzinom od maksimalno dozvoljene za taj tip svrdla.** Pri veći brzinama, svrdlo se može saviti ako se može slobodno okretati bez kontakta s obratkom, što može dovesti do tjelesnih ozljeda.
- b) Uvijek počnite bušiti s malom brzinom tako da vrh svrdla dodiruje obradak.** Pri veći brzinama, svrdlo se može saviti ako se može slobodno okretati bez kontakta s obratkom, što može dovesti do tjelesnih ozljeda.
- c) Primijenite pritisak samo izravno na svrdlo i nemojte previše pritisakati.** Svrdla se mogu saviti, pa se mogu slomiti a vi možete izgubiti kontrolu i tako može doći do tjelesnih ozljeda.

Ostale sigurnosne i radne upute

Upotrebljavati zaštitnu opremu. Kod radova sa strojem uvijek nositi zaštitne naočale. Preporučuje se zaštitna odjeća, kao zaštitna maska protiv prašine, zaštitne rukavice, čvrste i protiv klizanja sigurne cipele, šljem i zaštitu sluha.

Priključni kabel uvijek držati udaljenim sa područja djelovanja. Kabel uvijek voditi od stroja prema nazad.

Ne smiju se obrađivati nikakvi materijali, od kojih prijeti opasnost po zdravlje (npr. azbest).

Kod radova na zidu, stropu ili podu paziti na električne kablove kao i vodove plina i vode.

Osigurajte vaš izradak jednim steznom uređenjem. Neosigurani izradci mogu prouzročiti teške povrede i oštećenja.

Kod radova sa dijamatnim krunicama za bušenje isključiti udarni mehanizam.

Kod blokiranja alata koji se upotrebljava uređaj molimo odmah isključiti! Uređaj nemojte ponovno uključiti za vrijeme dok je alat koji se upotrebljava blokiran; time može doći do povratnog udara sa visokim reakcijskim momentom. Pronađite i otklonite uzrok blokiranja alata koji se upotrebljava uz poštivanje sigurnosnih uputa.

Mogući uzroci za to mogu biti:

- Izobličavanje u izratku koji se obrađuje
- Proboj materijala koji se obrađuje
- Preopterećenje električnog alata

Nemojte sezati u stroj koji radi.

Upotrebljeni alat se može za vrijeme korištenja zagrijati.

UPOZORENJE! Opasnost od opekotina

- kod promjene alata
- kod odlaganja uređaja

Piljevina ili iverige se za vrijeme rada stroja ne smiju odstranjivati.

Prije radova na stroju izvucite utikač iz utičnice.

UKLOVANJE

Hladno pokretanje

Ako se ovaj alat skladišti tijekom dugačkog razdoblja ili pri niskim temperaturama, čekić možda isprva neće funkcionirati jer se mazivo skrutilo.

Za zagrijavanje alata

1. Umestite i fiksirajte svrdlo ili dljetu u alat.
2. Povucite sklopku za uključivanje i primjenjujte silu na svrdlo ili dljetu o betonsku ili drvenu površinu nekoliko sekundi. Otpustite sklopku za uključivanje.
3. Ponavljajte postupak dok se funkcija čekića alata ne uspostavi. Što je alat hladniji, to će mu dulje trebati da se zagrije.

PROPISNA UPOTREBA

Udarni bušač je univerzalno upotrebljiv za bušenje i udarno bušenje.

CE-IZJAVA KONFORMNOSTI

Izjavljujemo pod vlastitom odgovornošću da proizvod opisan u odjeljku „Tehnički podaci“ ispunjava sve potrebne odredbe smjernica 2011/65/EU (RoHS)

2006/42/EC

2014/30/EU

i da su korišteni sljedeći usklađeni standardi

EN 62841-1:2015

EN 62841-2-1:2018+A11:2019

EN 55014-1:2017+A11:2020

EN 55014-2:2015

EN 61000-3-2:2014

EN 61000-3-3:2013

EN IEC 63000:2018



Winnenden, 2020-11-27

Alexander Krug / Managing Director

Ovlašten za formiranje tehničke dokumentacije.

Techtronic Industries GmbH

Max-Eyth-Strasse 10, 71364 Winnenden, Germany

PRIKLJUČAK NA MREŽU

Utičnice na vanjskom području moraju biti opremljene zaštitnim prekidačima za pogrešnu struju (FI, RCD, PRCD). To zahtjeva instalacijski propis za električne uređaje. Molimo da ovo poštujuete prilikom upotrebe našeg aparata.

Priključiti samo na jednofaznu naizmjeničnu struju i samo na napon struje, naveden na pločici snage. Priključak je moguć i na utičnice bez zaštitnog kontakta, jer postoji dogradnja zaštitne klase II.



Samo isključeni stroj priključiti na utičnicu.

ODRŽAVANJE

Proreze za prozračivanje stroja uvijek držati čistima.

Kod čestog pogona bušenja udaranjem stezna glava se mora redovno osloboditi od prašine. K tome stroj sa steznom glavom držati okomito na dolje i steznu glavu preko cijelog područja stezanja otvoriti i zatvoriti. Nakupljena prašina tako ispada iz stezne glave. Redovna primjena sprava za čišćenje (Id.br. 4932 6217 19) na steznim čeljustima i bušenjima steznih čeljusti se preporučuje.

Ako treba zamijeniti kabel za napajanje, to treba napraviti proizvođač ili njegov zastupnik, kako bi se izbjegle opasnosti.

Primijeniti samo Milwaukee opremu i Milwaukee rezervne dijelove. Sastavne dijelove, čija zamjena nije opisana, dati zamijeniti kod jedne od Milwaukee servisnih službi (poštivati brošuru Garancija/Adrese servisa).

Po potrebi se može zatražiti crtež eksplozije aparata uz davanje podataka o tipu stroja i desetoznamenastog broja na pločici snage kod Vaše servisne službe ili direktno kod Techtronic Industries GmbH, Max-Eyth-Straße 10, 71364 Winnenden, Germany.



SIMBOLI



PAŽNJA! UPOZORENIE! OPASNOST!



Prije radova na stroju izvući utikač iz utičnice.



Molimo da pažljivo pročitate uputu o upotrebi prije puštanja u rad.



Oprema - u opsegu isporuke nije sadržana, preporučena dopuna iz promgrama opreme.



Električni alat zaštitne kategorije II. Električni alat, čija zaštita od jednog električnog udara ne zavisi samo od osnovne izolacije, već i od toga, da se primijene dodatne zaštitne mjere, kao što su dvostruka izolacija ili pojačana izolacija.

n_0

Broj okretaja praznog hoda

V

Napon



Izmjenična struja



Električni uređaji se ne smiju zbrinjavati skupa sa kućnim smećem. Električni uređaji se moraju skupljati odvojeno i predati na zbrinjavanje primjereno okolišu jednom od pogona za iskorišćavanje. Raspitajte se kod mjesnih vlasti ili kod stručnog trgovca u svezi gospodarstva za recikliranje i mjesta skupljanja.



Europski znak suglasnosti



Britanski znak suglasnosti



Ukrajinski znak suglasnosti



Euroazijski znak suglasnosti

Hrvatski

TEHNISKIE DATI Sitamais urbis	PD2E 22 R (220-240 V)	PD2E 24 R (220-240 V)
Izlaides numurs	4195 71 03... ... 000001-999999	4195 96 03... ... 000001-999999
Nominālā atdotā jauda	850 W	1020 W
Cietkoks	460 W	540 W
Tukšgaitas apgriezienu skaits, 1. ātrums	0-1000 min ⁻¹	0-1000 min ⁻¹
Tukšgaitas apgriezienu skaits, 2. ātrums	0-3200 min ⁻¹	0-3200 min ⁻¹
Apgriezienu skaits ar slodzi maksimālais, 1. ātrums	0-680 min ⁻¹	0-680 min ⁻¹
Apgriezienu skaits ar slodzi maksimālais, 2. ātrums	0-2100 min ⁻¹	0-2100 min ⁻¹
Sitienu biežums ar slodzi maksimālais	40 000 min ⁻¹	40 000 min ⁻¹
statiskais bloķēšanas moments*	56/30 Nm	60/33 Nm
Urbšanas diametrs betonā	20 mm	22 mm
Urbšanas diametrs kriegēļos un kaļķsmilšakmeņi	22 mm	24 mm
Urbšanas diametrs tēraudā	13 mm	16 mm
Urbšanas diametrs kokā	40 mm	40 mm
Urbja stiprinājuma amplitūda	1,5-13 mm	1,5-13 mm
Urbja vārpsta	1/2" x 20	1/2" x 20
Kakla diametrs	43 mm	43 mm
Svars atbilstoši EPTA - Procedure 01/2014	2,8 kg	2,9 kg
Trokšņu informācija		
Vērtības, kas noteiktas saskaņā ar EN 62841. A novērtētās aparatūras skaņas līmenis ir:		
Trokšņa spiediena līmenis (Nedrošība K=3dB(A))	98 dB (A)	96 dB (A)
Trokšņa jaudas līmenis (Nedrošība K=3dB(A))	109 dB (A)	107 dB (A)
Nēsāt trokšņa slāpētāju!		
Vibrāciju informācija		
Svārstību kopējā vērtība (Trīs virzienu vektoru summtiek noteikta atbilstoši EN 62841.		
Metāla urbis		
svārstību emisijas vērtība a _{h,d}	7,6 m/s ²	10,0 m/s ²
Nedrošība K=	1,5 m/s ²	1,5 m/s ²
Betona elektriskais urbis		
svārstību emisijas vērtība a _{h,10}	17,1 m/s ²	17,8 m/s ²
Nedrošība K=	1,5 m/s ²	1,5 m/s ²

* Mērīts saskaņā ar firmas Milwaukee normu N 877318

UZMANĪBU!

Instrukcijā norādītā svārstību robežvērtība ir izmērīta mērījumu procesā, kas veikts atbilstoši standartam EN 62841, un to var izmantot elektroinstrumentu savstarpējai salīdzināšanai. Tā ir piemērota arī svārstību noslogojuma pagaidu izvērtēšanai.

Norādītā svārstību robežvērtība ir reprezentatīva elektroinstrumenta pamata pielietojuma jomām. Tomēr, ja elektroinstruments tiek pielietots citās jomās, papildus izmantojot neatbilstošus elektroinstrumentus vai pēc nepietiekamas tehniskās apkopes, tad svārstību robežvērtība var atšķirties. Tas var ievērojami palielināt svārstību noslogojumu visa darba laikā.

Precīzai svārstību noslogojuma noteikšanai, ir jāņem vērā arī laiks, kad ierīces ir izslēgta vai arī ir ieslēgta, tomēr faktiski netiek lietota. Tas var ievērojami samazināt svārstību noslogojumu visa darba laikā.

Ieteicams papildus drošības pasākumus pret svārstību ietekmi lietotājam, piemēram: elektroinstrumentu un darba instrumentu tehniskā apkope, roku siltuma uzturēšana, darba procesu organizācija.



▲ UZMANĪBU Izlasiet visus drošības norādījumus, instrukcijas, attēlus un datus, ko saņemat kopā ar ierīci. Turpmāk sniegto norādījumu neievērošana var kļūt par cēloni elektriskajam triecienam, ugunsgrēkam un/vai smagam savainojumam.
Pēc izlasīšanas uzglabājiet šos noteikumus turpmākai izmantošanai.

▲ DROŠĪBAS NOSACĪJUMI LIETOJOT URBJMAŠĪNAS

1) Darba drošības noteikumi

a) Lietojiet dzirdes aizsargu, izmantojot āmururbi. Trokšņa iedarbība var izraisīt dzirdes zudumu.

b) Izmantojiet papildu rokturi(-us). Zaudējot kontroli, var gūt ievainojumus.

c) Ja darbinstruments var skart slēptu elektropārvades līniju vai instrumenta elektrokabeli, darba laikā turiet elektroinstrumentu aiz izolētajiem rokturiem, nepieskaroties metāla daļām. Šī instrumenta saskare ar strāvu vadošiem kabeļiem var radīt spriegumu arī ierīces metāliskajās daļās un var izraisīt elektrisko triecienu.

2) Drošības noteikumi par garu urbju lietošanu

a) Kategoriski aizliegts pārsniegt urbja maksimālo paredzēto griešanās ātrumu. Lielākā ātrumā urbis, brīvi griežoties un neskarot detaļu, var saliekties un izraisīt traumas.

b) Urbšanu vienmēr sāciet ar mazāku ātrumu, kad urbja gals saskaras ar detaļu. Lielākā ātrumā urbis, brīvi griežoties un neskarot detaļu, var saliekties un izraisīt traumas.

c) Spiediet tikai taisni, urbja garenvirzienā, un nepielietojiet pārmērīgu spēku. Urbis var saliekties, izraisot bojājumu vai kontroles zudumu un traumas lietotājam.

Citas drošības un darba instrukcijas

Jāizmanto aizsargapriekojums. Strādājot ar mašīnu, vienmēr jānēsā aizsargbrilles. Ieteicams nēsāt aizsargapģērbu, kā piemēram, aizsargmasku, aizsargcimdus, kurpes no stingra un neslīdīga materiāla, ķiveri un ausu aizsargus.

Pievienojuma kabeli vienmēr turēt atstātus no mašīnas darbības lauka. Kabelim vienmēr jāatrodas aiz mašīnas.

Nedrīkst apstrādāt materiālus, kas rada draudus veselībai (piemēram, azbestu).

Veicot darbus sienu, griestu un grīdas apvidū, vajag uzmanīties, lai nesabojātu elektriskos, gāzes un ūdens vadus.

Fiksējiet apstrādājamo materiālu ar fiksācijas aprīkojumu.

Nenostiprināti materiāli var izraisīt smagus savainojumus un bojājumus.

Strādājot ar dimanta kroņurbi, vajag izslēgt perforācijas darbību.

Ja izmantojamais darba rīks tiek bloķēts, nekavējoties izslēgt ierīci! Neieslēdziet ierīci, kamēr izmantojamais darba rīks ir bloķēts; var rasties atsitieni ar augstu griezes momentu. Noskaidrojiet un novērsiet izmantotajā darba rīka bloķēšanas iemeslu, ievērojot visas drošības norādes.

Automātiskās apstāšanās iespējamie iemesli:

- iesprūdis apstrādājamajā materiālā
- Apstrādājamā materiāla caururbšana
- elektroinstrumentus ir pārslēgots

Leslēgtai ierīcei nepieskarties.

Izmantojamais darba rīks darba gaitā var stipri sakarst.

UZMANĪBU! Bīstamība apdedzināties

- veicot darba rīka nomaigū
- noliekot iekārtu

Skaidas un atļūzas nedrīkst ņemt ārā, kamēr mašina darbojas.

Pirms jebkādiem darbiem, kas attiecas uz mašīnas apkopi, mašīnu noteikti vajag atvienot no kontaktligzdas.

GRIEŠANAS OPERĀCIJA

Aukstā iedarbināšana

Ja šis instruments tiek ilgstoši uzglabāts vai uzglabāts aukstā temperatūrā, tas sākotnēji var nedarboties, jo eļļa ir kļuvusi stīgra.

Instrumenta uzsilšana

1. Ievietojiet instrumentā uzgali vai kaltu un fiksējiet.

2. Nospiediet sprūdu un uz dažām sekundēm ar spēku spiediet uzgali vai kaltu pret betona vai koka virsmu. Atlaidiet sprūdu.

3. Atkārtojiet šo darbību, kamēr instruments sāk kalšanas darbību. Jo aukstāks ir instruments, jo ilgāks laiks būs nepieciešams tā uzsilšanai.

NOTEIKUMIEM ATBILSTOŠS IZMANTOJUMS

Triecienurbjmašīna ir universāli izmantojama urbšanai un urbšanai ar perforāciju.

ATBILSTĪBA CE NORMĀM

Mēs ar pilnu atbildību paziņojam, ka izstrādājums, kas raksturots sadaļā „Tehniskie dati”, atbilst visām attiecīgajām prasībām direktīvās 2011/65/ES (RoHS) 2006/42/EK 2014/30/ES

un ir piemēroti šādi saskaņotie standarti

EN 62841-1:2015
EN 62841-2-1:2018+A11:2019
EN 55014-1:2017+A11:2020
EN 55014-2:2015
EN 61000-3-2:2014
EN 61000-3-3:2013
EN IEC 63000:2018



Winnenden, 2020-11-27

Alexander Krug / Managing Director

Pilnvarotais tehniskās dokumentācijas sastādīšanā.

Techtronic Industries GmbH

Max-Eyth-Straße 10, 71364 Winnenden, Germany

TĪKLA PIESLĒGUMS

Kontaktligzdām, kas atrodas ārpus telpām jābūt aprīkotām ar automātiskiem drošinātājslēdzīem, kas nostrādā, ja strāvas plūsmā radušies (FI, RCD, PRCD) bojājumi. To pieprasa jūsu elektroiekārtas instalācijas noteikumi. Lūdzu, to ņemt vērā, izmantojot mūsu instrumentus.

Pieslēgt tikai vienpola maiņstrāvas tīklam un tikai spriegumam, kas norādīts uz jaudas paneļa. Pieslēgums iespējams arī kontaktligzdām bez aizsargkontaktiem, jo runa ir par uzbūvi, kas atbilst II. aizsargklasei.

Mašīnu pievienot kontaktligzdām tikai izslēgtā stāvoklī.

Latviski

APKOPE

Vajag vienmēr uzmanīt, lai būtu tīras dzesēšanas atveres.

Ja bieži tiek izmantota perforācijas darbība, tad urbja stiprinājums ir regulāri jāattīra no putekļiem. Šim nolūkam mašina jātur ar stiprinājumu uz leju un stiprinājums maksimāli jāatskrūvē un jāaizskrūvē. Tādējādi putekļi, kas sakrājušies tajā, var iznākt ārā. Leteicams regulāri izmantot tīrītāju (n.p.k. 4932 6217 19), lai iztīrītu

Ja nepieciešama barošanas vada nomaiņa, lai novērstu apdraudējumu, to jāveic ražotājam vai tā pārstāvim.

Izmantojiet tikai firmu Milwaukee piederumus un firmas Milwaukee rezerves daļas. Lieciet nomaiņīt detaļas, kuru nomaiņa nav aprakstīta, kādā no firmu Milwaukee klientu apkalpošanas servisiem. (Skat. brošūru „Garantija/klientu apkalpošanas serviss“.)

Ja nepieciešams, klientu apkalpošanas servisā vai tieši pie firmas Techtronic Industries GmbH, Max-Eyth-SträÙe 10, 71364 Winnenden, Germany, var pieprasīt instrumenta numurs, kas norādīts uz jaudas paneļa.

SIMBOLI



UZMANĪBU! BĪSTAMI!



Pirms jebkādiem darbiem, kas attiecas uz mašīnas apkopi, mašīnu noteikti vajag atvienot no kontaktligzdas.



Pirms sākt lietot instrumentu, lūdz, izlasiet lietošanas pamācību.



Piederumi - standartaprikojumā neietvertās, bet ieteicamās papildus komplektācijas detaļas no piederumu programmas.



II aizsardzības klases elektroinstrumenti. Elektroinstrumenti, kuram aizsardzība pret elektrisko triecienu ir atkarīga ne tikai no pamata izolācijas, bet arī no tā, ka tiek piemēroti papildu aizsardzības pasākumi, piemēram, dubultā izolācija vai pastiprināta izolācija.

n_0 Tukšgaitas apgriezīnu skaits

V Spriegums



Mainstrāva



Elektroiekārtas nedrīkst izmest kopā ar sadzīves atkritumiem. Elektriskās un elektroniskās iekārtas ir jāsavāc atsevišķi un jānodod pārstrādes uzņēmumam, kas no tām atbrīvosies dabai draudzīgā veidā. Meklējiet otrreizējās pārstrādes poligonus un savākšanas punktus vietējās pārvaldes iestādēs vai pie preces pārdevēja.



Eiropas atbilstības zīme



Lielbritānijas atbilstības zīme



Ukrainas atbilstības zīme



Eirāzijas atbilstības zīme



TECHNINIAI DUOMENYS Smūginis gręžtuvas	PD2E 22 R (220-240 V)	PD2E 24 R (220-240 V)
Produkto numeris	4195 71 03... ... 000001-999999	4195 96 03... ... 000001-999999
Vardinė imamoji galia	850 W	1020 W
Išėjimo galia	460 W	540 W
Sūkių skaičius laisva eiga, 1. pavara	0-1000 min ⁻¹	0-1000 min ⁻¹
Sūkių skaičius laisva eiga, 2. pavara	0-3200 min ⁻¹	0-3200 min ⁻¹
Sūkių skaičius su apkrova maks., 1. pavara	0-680 min ⁻¹	0-680 min ⁻¹
Sūkių skaičius su apkrova maks., 2. pavara	0-2100 min ⁻¹	0-2100 min ⁻¹
Smūgių skaičius su apkrova maks.	40 000 min ⁻¹	40 000 min ⁻¹
Statinis blokavimo momentas*	56/30 Nm	60/33 Nm
Gręžimo ø betone	20 mm	22 mm
Gręžimo ø galvutė degtose ir silikatinėse plytose	22 mm	24 mm
Gręžimo ø pliene	13 mm	16 mm
Gręžimo ø medienoje	40 mm	40 mm
Grąžto patrono veržimo diapazonas	1,5-13 mm	1,5-13 mm
Grąžto suklys	1/2" x 20	1/2" x 20
Įveržimo ašies ø	43 mm	43 mm
Prietaiso svoris įvertintas pagal EPTA 01/2014 tyrimų metodiką	2,8 kg	2,9 kg
Informacija apie keliamą triukšmą Vertės matuotos pagal EN 62841. Įvertintas A įrenginio keliamo triukšmo lygis dažniausiai sudaro:		
Garso slėgio lygis (Paklaida K=3dB(A))	98 dB (A)	96 dB (A)
Garso galios lygis (Paklaida K=3dB(A))	109 dB (A)	107 dB (A)
Nešioti klausos apsaugines priemones!		
Informacija apie vibraciją Bendroji svyravimų reikšmė (trijų krypčių vektorių suma), nustatyta remiantis EN 62841.		
Metalo gręžimas		
Vibravimų emisijos reikšmė a _{n,D}	7,6 m/s ²	10,0 m/s ²
Paklaida K=	1,5 m/s ²	1,5 m/s ²
Betono perforavimas		
Vibravimų emisijos reikšmė a _{n,10}	17,1 m/s ²	17,8 m/s ²
Paklaida K=	1,5 m/s ²	1,5 m/s ²

* Matuojant pagal „Milwaukee“ normą N 877318

DĖMESIO!

Instrukcijoje nurodyta svyravimų ribinė vertė yra išmatuota remiantis standartu EN 62841; ji gali būti naudojama keliems elektriniams instrumentams palyginti. Ji taikoma ir laikinai įvertinti svyravimų apkrovą.

Nurodyta svyravimų ribinė vertė yra taikoma pagrindinėse elektrinio instrumento naudojimo srityse. Svyravimų ribinė vertė gali skirtis naudojant elektrinį instrumentą kitose srityse, papildomai naudojant netinkamus elektrinius instrumentus arba juos nepakankamai techniškai prižiūrint. Dėl to viso darbo metu gali žymiai padidėti svyravimų apkrova.

Siekiant tiksliai nustatyti svyravimų apkrovą, būtina atsizvelgti ir į laikotarpį, kai įrenginys yra išjungtas arba įjungtas, tačiau faktiškai nenau-
dojamas. Dėl to viso darbo metu gali žymiai sumažėti svyravimų apkrova.

Siekiant apsaugoti vartotojus nuo svyravimo įtakos naudojamos papildomos saugos priemonės, pavyzdžiui, elektrinių darbo instrumentų techninė priežiūra, rankų šilumos palaikymas, darbo procesų organizavimas.

⚠ DĖMESIO Perskaitykite visas saugos nuorodas, instrukcijas, iliustracijas ir duomenis, kuriuos gaunate su prietaisu. Jei nepaisysite toliau pateiktų nuorodų, gali kilti elektros smūgio, gaisro ir/arba sunkių sužalojimų pavojus. **Išsaugokite šias saugos nuorodas ir reikalavimus, kad ir ateityje galėtumėte jais pasinaudoti.**

⚠ GRAŽTAMS SKIRTI SAUGUMO NURODYMAI

1) Bendrosios visų darbų saugos instrukcijos

a) Dirbdami su smūginiu grąžtu, visuomet naudokite apsaugines ausų priemones. Dėl didelio triukšmo poveikio gali būti pažeidžiama klausos.

b) Naudoti pagalbinę (-es) rankeną (-as). Nesuvaldžius prietaiso galima susižeisti.

c) Jei yra tikimybė, jog dirbant įrankis gali kliudyti paslėptą laidą, prietaisą laikykite tik už izoliuotų rankenų. Pjovimo įrenginio kontaktas su įtampas laidais gali įelektrinti metalines prietaiso dalis, o tai gali sukelti elektros iškrovą.

2) Saugos instrukcijos naudojant ilgus gręžimo antgalius

a) Niekada nedirbkite įrankiu didesnėmis apsakomis nei maksimalios vardinės gręžimo antgalio apsakos. Jei dirbant didesnėmis apsakomis antgalis laisvai sukis nesiliesdamas prie ruošinio, jis gali sulinkti, todėl galite susižaloti.

b) Visada pradėkite darbą mažesnėmis apsakomis, antgalio galiukas turi liestis prie ruošinio. Jei dirbant didesnėmis apsakomis antgalis laisvai sukis nesiliesdamas prie ruošinio, jis gali sulinkti, todėl galite susižaloti.

c) Spauskite tik tiesia linija palei antgalį, stenkitės nespausti pernelyg stipriai. Antgaliai gali sulinkti ir lūžti, todėl galima prarasti įrankio kontrolę ir susižaloti.

Kiti saugumo ir darbo nurodymai

Dėvėkite apsaugines priemones. Dirbdami su mašina visada užsidėkite apsauginius akinius. Rekomenduotina dėvėti apsaugines priemones: apsaugos nuo dulkių respiratorius, apsaugines pirštines, kietus batus neslidžiais padais, šalmą ir klausos apsaugos priemones.

Maitinimo kabelis turi nebūti įrenginio poveikio srityje. Kabelį visada nuveskite iš galinės įrenginio pusės.

Negalima apdirbti medžiagų, dėl kurių galimi sveikatos pažeidimai (pvz., asbesto).

Dirbdami sienoje, lubose arba grindyse, atkreipkite dėmesį į elektros laidus, dujų ir vandens vamzdžius.

Ruošinį užfiksuokite įtempimo įrenginiu. Neuzfiksuoti ruošiniai gali sunkiai sužaloti ir būti pažeidimų priežastimi.

Dirbdami su deimantinėmis gręžimo galvutėmis, smūgiavimo įtaisą išjunkite.

Blokuojant įstatomąjį įrankį būtina išjungti prietaisą! Neįjunkite prietaiso, kol įstatomasis įrankis yra užblokuotas; galimas grįžtamasis smūgis su dideliu sukimo momentu. Atsižvelgdami į saugumo nurodymus, nustatykite ir pašalinkite įstatomojo įrankio blokavimo priežastį.

Galimos to priežastys:

- Susidariusios apdirbamo ruošinio briaunos
- Apdirbamos medžiagos lūžimas
- Elektros įrankio perkrova

Nekiškite rankų į veikiančią mašiną.

Naudojamas įstatomasis įrankis gali įkaisti.

DĖMESIO! Pavojus nusideginti

- keičiant įrankį
- padedant prietaisą

Draudžiama išiminti drožles ar nuopjovas, įrenginui veikiant.

Prieš atlikdami bet kokius įrenginyje, ištraukite iš lizdo kištuką.

NAUDOJIMAS

Šaltas paleidimas

Jei įrenginys nebus naudojamas ilgesnį laiką arba laikomas žemoje temperatūroje, gali užtrukti jo įjungimas, nes sutepimo tepalas sustingsta esant žemai aplinkos temperatūrai.

Sušildyti įrenginį

1. Įdėkite ir užfiksuokite arba kirskite į paviršių.

2. Patraukite už įjungimo / išjungimo mygtuko ir kelias sekundes naudodami jėgą pridėkite kirtiklį prie betono ar medienos paviršiaus. Paleiskite išjungimo / įjungimo mygtuką.

3. Kartokite tol, kol įrenginys pradės skleisti kalimo garsus. Kuo šaltėnis įrenginys, tuo ilgiau užtruks jį sušildyti.

NAUDOJIMAS PAGAL PASKIRTĮ

Smūginį gręžtuvą galima universaliai naudoti gręžimui ir smūginiam gręžimui.

CE ATITIKTIES PAREIŠKIMAS

Prisiimdami visą atsakomybę pareiškiame, kad gaminyje, aprašytas „Techniuose duomenyse“, atitinka taikomoms reikalavimus, išdėstytus direktyvoje

2011/65/ES (RoHS)

2006/42/EB

2014/30/ES

ir buvo taikyti šie darnieji standartai

EN 62841-1:2015

EN 62841-2-1:2018+A11:2019

EN 55014-1:2017+A11:2020

EN 55014-2:2015

EN 61000-3-2:2014

EN 61000-3-3:2013

EN IEC 63000:2018



Winnenden, 2020-11-27

Alexander Krug / Managing Director
Įgaliotas parengti techninius dokumentus.

Techtronic Industries GmbH

Max-Eyth-Straße 10, 71364 Winnenden, Germany

ELEKTROS TINKLO JUNGTIS

Lauke esantys el. lizdai turi būti su gedimo srovės išjungikliais. Tai nurodyta Jūsų elektros įrenginio instaliacijos taisyklėse (FI, RCD, PRCD). Atsižvelkite į tai, naudodami prietaisą.

Jungti tik prie vienfazės kintamos elektros srovės ir tik į specifikacijų lentelėje nurodytos įtampas elektros tinklą. Konstrukcijos saugos klasė II, todėl galima jungti ir į lizdus be apsauginio kontakto.

Kištuką į lizdą įstatykite, tik kai įrenginys išjungtas.



Liet

Lietuviškai

TECHNINIS APTARNAVIMAS

Įrenginio vėdinimo angos visada turi būti švarios.

Dažnai naudojant smūginio gręžimo režimu, reikia reguliariai nuo gręžto patrono pašalinti dulkes. Tam laikykite įrenginį gręžto patronu tiesiai žemyn ir jį visiškai atidarykite ir uždarykite. Taip iš gręžto patrono iškrenta visos dulksės. Rekomenduojame retkarčiais nupurkšti spaustuvo kumštelius ir spaustuvo kumštelių kiurymes valymo aerozoliu (eil. nr. 4932 6217 19).

Jei reikia pakeisti maitinimo laidą, siekiant išvengti pavojaus saugai tai turi atlikti gamintojas arba jo atstovas.

Naudokite tik „Milwaukee“ priedus ir „Milwaukee“ atsargines dalis. Dalis, kurių keitimas neaprašytas, leidžiama keisti tik „Milwaukee“ klientų aptarnavimo skyriams (žr. garantiją/klientų aptarnavimo skyrių adresus brošiūroje).

Jei reikia, nurodant įrenginio tipą bei specifikacijų lentelėje esantį numerį, iš klientų aptarnavimo skyriaus arba tiesiai iš Techtronic Industries GmbH, Max-Eyth-Straße 10, 71364 Winnenden, Germany, galima užsisakyti prietaiso surinkimo brėžinius.



Liet

SIMBOLIAI



DĖMESIO! ĮSPĖJIMAS! PAVOJUS!



Prieš atlikdami bet kokius įrenginyje, ištraukite iš lizdo kištuką.



Prieš pradėdami dirbti su prietaisu, atidžiai perskaitykite jo naudojimo instrukciją.



Priedas – neįeina į tiekimo komplektaciją, rekomenduojamas papildymas iš priedų asortimento.



II apsaugos klasės elektrinis įrankis. Šio elektrinio įrankio apsauga nuo elektros smūgio priklauso ne tik nuo pagrindinės izoliacijos, bet ir nuo to, kaip naudojami papildomos apsauginės priemonės, tokios kaip dviguba arba pagerinta izoliacija.

n₀

Sūkių skaičius laisva eiga

v

Įtampa



Kintamoji srovė



Elektros prietaisų negalima išmesti kartu su buitinėmis atliekomis. Būtina rūšiuoti elektros ir elektroninius prietaisus ir atiduoti į atliekų perdirbimo centrą, kad jie būtų utilizuoti neteršiant aplinkos. Informacijos apie perdirbimo centrus ir atliekų surinkimo įstaigas teiraukitės vietos įstaigoje arba prekybininko.



Europos atitikties ženklas



Britanijos atitikties ženklas



Ukrainos atitikties ženklas

001



Eurazijos atitikties ženklas

Lietuviškai

TEHNILISED ANDMED Löökpuur	PD2E 22 R (220-240 V)	PD2E 24 R (220-240 V)
Tootmisnumber	4195 71 03... ... 000001-999999	4195 96 03... ... 000001-999999
Nimitarbimine	850 W	1020 W
Väljundvõimsus	460 W	540 W
Pöörlemiskiirus tühijooksul, 1. käik	0-1000 min ⁻¹	0-1000 min ⁻¹
Pöörlemiskiirus tühijooksul, 2. käik	0-3200 min ⁻¹	0-3200 min ⁻¹
Pöörlemiskiirus koormusega max, 1. käik	0-680 min ⁻¹	0-680 min ⁻¹
Pöörlemiskiirus koormusega max, 2. käik	0-2100 min ⁻¹	0-2100 min ⁻¹
Löökide arv koormusega max	40 000 min ⁻¹	40 000 min ⁻¹
Staatiline blokeerumimoment*	56/30 Nm	60/33 Nm
Puuri ø betoonis	20 mm	22 mm
Puuri ø tellistes ja silikaatkivides	22 mm	24 mm
Puuri ø terases	13 mm	16 mm
Puuri ø puidus	40 mm	40 mm
Puuripadrundi pingutusvahemik	1,5-13 mm	1,5-13 mm
Puurispindel	1/2" x 20	1/2" x 20
Kinnituskaela ø	43 mm	43 mm
Kaal vastavalt EPTA-protseduurile 01/2014	2,8 kg	2,9 kg
Müra andmed		
Mööteväärtused on kindlaks tehtud vastavalt normile EN 62841. Seadme tüüpiline hinnanguline (müratase):		
Helirõhutase (Määramatus K=3dB(A))	98 dB (A)	96 dB (A)
Helivõimsuse tase (Määramatus K=3dB(A))	109 dB (A)	107 dB (A)
Kandke kaitseks kõrvaklappe!		
Vibratsiooni andmed		
Vibratsiooni koguväärtus (kolme suuna vektorsummöödetud EN 62841 järgi).		
Metalli puurimine		
Vibratsiooni emissiooni väärtus a _{h,d}	7,6 m/s ²	10,0 m/s ²
Määramatus K=	1,5 m/s ²	1,5 m/s ²
Betooni löökpuurimine		
Vibratsiooni emissiooni väärtus a _{h,d}	17,1 m/s ²	17,8 m/s ²
Määramatus K=	1,5 m/s ²	1,5 m/s ²

* Möödetud vastavalt Milwaukee normile N 877318

TÄHELEPANU!

Antud juhendis toodud võnketase on möödetud EN 62841 standardile vastava mõotesüsteemiga ning seda võib kasutada erinevate elektriseadmete omavahelises võrdlemises. Antud näitaja sobib ka esmaseks võnkekoormuse hindamiseks.

Antud võnketase kehtib elektriseadme kasutamisel sihtotstarbeliselt. Kui elektriseadet kasutatakse muudel otstarvetel, muude tööriistadega või seda ei hooldata piisavalt võib võnketase siintoodust erineda. Eeltoodu võib võnketaset märkimisväärselt tõsta terves töökeskkonnas. Võnketaseme täpsaks hindamiseks tuleks arvestada ka aega, mil seade on välja lülitatud või on küll sisse lülitatud, kuid ei ole otseselt kasutusel. See võib märgatavalt vähendada kogu töökeskkonna võnketaset.

Rakendage spetsiaalseid ettevaatusabinõusid töötajate suhtes, kes puutuvad töö käigus palju kokku vibratsiooniga. Nendeks abinõudeks võivad olla, näiteks: elektri- ja tööseadmete korraline hooldus, käte soojendamine, töövoog parem organiseerimine.





TÄHELEPANU Lugege kõik seadmega kaasas olevad ohutusjuhised, juhendid, joonised ja andmed läbi.

Järgnevalt toodud juhiste eiramise tagajärjeks võib olla elektrilöök, tulekahju ja/või raske vigastused.

Hoidke kõik ohutusnõuded ja juhised edasiseks kasutamiseks hoolikalt alles.



PUURMASINATE OHUTUSJUHISED

1) Ohutusjuhised kõigile töödele

a) Kandke löökpuurimisel kuulmekaitset. Müra toime võib põhjustada kuulmiskadu.

b) Kasutage lisakäepidet/-käepidemeid. Kontrolli kaotamine võib põhjustada vigastusi.

c) Kui esineb oht, et seade võib tabada varjatud elektrijuhtmeid või omaenda toitejuhet, tohib seadet hoida üksnes isoleeritud käepidemetest. Kokkupuude pingestatud juhtmega võib pingestada ka lõikeseadme metallist osad ning põhjustada elektrilöögi.

2) Ohutusjuhised pikkade puuriterade kasutamisel

a) Ärge kunagi töötage puuritera maksimaalsest nimikiirusest kõrgemal kiirustel. Kõrgemal kiirustel võib puuritera seda ilma töödetaali puudutamata vabalt pöörelda lastes tõenäoliselt painduda, põhjustades kehavigastusi.

b) Alustage puurimist alati madalal kiirusel ja puuritera otsaga vastu töödetaali. Kõrgemal kiirustel võib puuritera seda ilma töödetaali puudutamata vabalt pöörelda lastes tõenäoliselt painduda, põhjustades kehavigastusi.

c) Rakendage survet ainult otse puuritera suunal ja vältige liigse surve rakendamist. Puuriterad võivad painduda, põhjustades murdumist või kontrolli kaotamist, mille tulemuseks võib olla kehavigastus.

Edasised ohutus- ja tööjuhised

Kasutada kaitsevarustust. Masinaga töötamisel kanda alati kaitseprille. Kaitseriietusena soovitakse kasutada tolumumaski kaitsekindaid, kinniseid ja libisemisvastase tallaga jalanõusid, kiivrit ja kuulmisteede kaitset.

Hoidke ühendusjuhe alati masina tööpiirkonnast eemal. Vedage juhe alati masinast tahapoole.

Töödelda ei tohi materjale, millest lähtub oht tervisele (nt asbest).

Seina, lae või põrandu tööde puhul pidage silmas elektrijuhtmeid, gaasi- ja veetorusid.

Kinnitage toorik kinnipingutusseadisega. Kinnitamata toorikud võivad raskeid vigastusi ja kahjustusi põhjustada.

Teemant-kroonpuuriga töötamisel lülitage löökmehhanism välja.

Palun lülitage seade rakendustööriista blokeerumise korral kohe välja! Ärge lülitage seadet sisse tagasi, kuni rakendustööriist on blokeeritud; seejuures võib kõrge reaktsioonimomendiga tagasilöök tekkida. Tehke ohutusjuhiseid arvesse võttes kindlaks ja kõrvaldage rakendustööriista blokeerumise põhjus.

Automaatse seiskumise võimalikud põhjused:

- viltu asetumine töödeldavas toorikus
- Töödeldava materjali läbipuurimine
- elektritööriista ülekoormamine

Ärge sisestage jäsemeid töötavasse masinasse.

Rakendustööriist võib kasutamise ajal kuumaks minna.

TÄHELEPANU! Põletusohu

- tööriista vahetamisel

- seadme ärapanemisel

Puru ega pilpaid ei tohi eemaldada masina töötamise ajal.

Enne kõiki töid masina kallal tõmmake pistik pistikupesast välja.

KASUTAMINE

Külmalt käivitamine

Kui tööriista ladustatakse pikka aega või külmal temperatuuridel, võib see esialgu mitte liikuda, sest määre on muutunud kõvaks.

Tööriista soojendamine

1. Sisestage ja lukustage tööriista sisse puuriotsik või peitel.

2. Vajutage käivituslülitit ja vajutage puuriotsik või peitel mõneks sekundiks vastu betoon- või puitpinda. Vabastage käivituslülitit.

3. Korrake, kuni tööriist hakkab tööle. Mida külmem on tööriist, seda kauem see soojeneb.

KASUTAMINE VASTAVALT OTSTARBELE

Lööktrelli saab universaalselt rakendada puurimiseks ja löökpuurimiseks.

EÜ VASTAVUSAVALDUS

Kinnitame oma ainuvastutusel, et „Tehniliste andmete“ all kirjeldatud toode vastab direktiivide kõigile asjakohastele sätetele 2011/65/EU (RoHS) 2006/42/EU 2014/30/EU ning täidetud on järgmiste ühtlustatud standardite nõuded.

EN 62841-1:2015

EN 62841-2-1:2018+A11:2019

EN 55014-1:2017+A11:2020

EN 55014-2:2015

EN 61000-3-2:2014

EN 61000-3-3:2013

EN IEC 63000:2018



Winnenden, 2020-11-27

Alexander Krug / Managing Director

On volitatud koostama tehnilist dokumentatsiooni.

Techtronic Industries GmbH

Max-Eyth-Straße 10, 71364 Winnenden, Germany

VÕRKU ÜHENDAMINE

Välitingimustes asuvad pistikupesad peavad olema varustatud rikkevoolukaitselülititega (FI, RCD, PRCD). Seda nõutakse meie elektriseadme installierimiseeskirjas. Palun pidage sellest meie seadme kasutamisel kinni.

Ühendage ainult ühefaasilise vahelduvvooluga ning ainult andmesildil toodud võrgupingega. Ühendada on võimalik ka kaitsekontaktita pistikupesadesse, kuna nende konstruktsioon vastab kaitseklassile II.

Masin peab pistikupesaga ühendamisel olema alati väljalülitatud seisundis.

HOOLDUS

Hoidke masina õhutuspidul alati puhtad.

Löökpuuri sagedase käitamise puhul tuleks puuripadrunit regulaarselt tolmu eemaldada. Selleks hoidke masinat püstloodis alla suunatud puuripadrunita ja avage ja sulgege puuripadrin kogu pingutusvahemiku ulatuses. Kogunenud tolm langeb nii puuripadrunit välja. Soovitatav on kinnitusnukkide ja kinnitusnukkide puurete puhul kasutada regulaarselt pihustatavat puhastusvedelikku (jrk nr 4932 6217 19).

Kui on vaja vahetada toitejuhet, peab ohutuse tagamise raames seda tegema tootja või tema agent.

Kasutage ainult Milwaukee tarvikuid ja Milwaukee tagavaraosi. Detailid, mille väljavahetamist pole kirjeldatud, laske välja vahetada Milwaukee klienditeeninduspunktis (vaadake brošüüri garantii / klienditeeninduste aadressid).

Vajaduse korral võite tellida seadme läbilõikejoonise, näidates ära masina tüübi ja andmesildil oleva numbr. Selleks pöörduge klienditeeninduspunkti või otse: Techtronic Industries GmbH, Max-Eyth-Straße 10, 71364 Winnenden, Germany.



SÜMBOLID



ETTEVAATUST! TÄHELEPANU! OHUD!



Enne kõiki töid masina kallal tõmmake pistik pistikupesast välja.



Palun lugege enne käikulaskmist kasutamisyhend hoolikalt läbi.



Tarvikud - ei kuulu tarne komplekti, soovitatav täiendus on saadaval tarvikute programmis.



Kaitseklassi II elektritööriist. Elektritööriist, mille puhul ei sõltu kaitse mitte üksnes baasisolatsioonist, vaid ka täiendatavate kaitsemeetmete nagu topeltsolatsiooni või tugevdatud isolatsiooni kohaldamisest.

n₀

Pöörlemiskiirus tühijooksul

V

Pinge



Vahelduvvool



Elektriseadmeid ei tohi utiliseerida koos majapidamisprügiga. Elektrilised ja elektroonilised seadmed tuleb eraldi kokku koguda ning keskkonnasõbralikuks utiliseerimiseks vastavas käitlusettevõttes ära anda. Küsige kohalikest pädevatest ametitest või edasimüüjalt käitlusjaamade ja kogumispunktide kohta järele.



Euroopa vastavusmärk



Ühendkuningriigi vastavusmärk



Ukraina vastavusmärk



Euraasia vastavusmärk

ТЕХНИЧЕСКИЕ ДАННЫЕ Ударная дрель	PD2E 22 R (220-240 V)	PD2E 24 R (220-240 V)
Серийный номер изделия	4195 71 03... ... 000001-999999	4195 96 03... ... 000001-999999
Номинальная потребляемая мощность	850 W	1020 W
Номинальная мощность	460 W	540 W
Число оборотов без нагрузки, 1-я скорость	0-1000 min ⁻¹	0-1000 min ⁻¹
Число оборотов без нагрузки, 2-я скорость	0-3200 min ⁻¹	0-3200 min ⁻¹
Скорость под нагрузкой макс., 1-я скорость	0-680 min ⁻¹	0-680 min ⁻¹
Скорость под нагрузкой макс., 2-я скорость	0-2100 min ⁻¹	0-2100 min ⁻¹
Количество ударов при нагрузке макс.	40 000 min ⁻¹	40 000 min ⁻¹
Статический блокирующий момент*	56/30 Nm	60/33 Nm
Максимальный диаметр сверления в бетон	20 mm	22 mm
Максимальный диаметр сверления в кирпич и кафель	22 mm	24 mm
Максимальный диаметр сверления в стали	13 mm	16 mm
Максимальный диаметр сверления в дерево	40 mm	40 mm
Диапазон раскрытия патрона	1,5-13 mm	1,5-13 mm
Резьба шпинделя	1/2" x 20	1/2" x 20
Диаметр шейки патрона	43 mm	43 mm
Вес согласно процедуре EPTA 01/2014	2,8 kg	2,9 kg
Информация по шумам Значения измерялись в соответствии со стандартом EN 62841. Уровень шума прибора, определенный по показателю A, обычно составляет:		
Уровень звукового давления (Небезопасность K=3dB(A))	98 dB (A)	96 dB (A)
Уровень звуковой мощности (Небезопасность K=3dB(A))	109 dB (A)	107 dB (A)
Пользуйтесь приспособлениями для защиты слуха.		
Информация по вибрации Общие значения вибрации (векторная сумма трех направлений) определены в соответствии с EN 62841.		
Сверление в металле		
Значение вибрационной эмиссии a _{h,d}	7,6 m/s ²	10,0 m/s ²
Небезопасность K=	1,5 m/s ²	1,5 m/s ²
Ударное сверление в бетоне		
Значение вибрационной эмиссии a _{h,10}	17,1 m/s ²	17,8 m/s ²
Небезопасность K=	1,5 m/s ²	1,5 m/s ²

* Измерения согласно нормативам Milwaukee № 877318

ВНИМАНИЕ!

Указанный в настоящем руководстве уровень вибрации измерен в соответствии с технологией измерения, установленной стандартом EN 62841 и может использоваться для сравнения электроинструментов друг с другом. Он также подходит для предварительной оценки вибрационной нагрузки.

Указанный уровень вибрации представляет основные виды использования электроинструмента. Но если электроинструмент используется для других целей, используемый инструмент отклоняется от указанного или техническое обслуживание было недостаточным, то уровень вибрации может отклоняться от указанного. В этом случае вибрационная нагрузка в течение всего периода работы значительно увеличивается.

Для точной оценки вибрационной нагрузки необходимо также учитывать время, в течение которого прибор отключен или включен, но фактически не используется. В этом случае вибрационная нагрузка в течение всего периода работы может существенно уменьшиться.

Установите дополнительные меры безопасности для защиты пользователя от воздействия вибрации, например: техническое обслуживание электроинструмента и используемого инструмента, поддержание рук в теплом состоянии, организация рабочих процессов.

⚠ ВНИМАНИЕ Ознакомьтесь с правилами техники безопасности, техническими регламентами, изображениями и данными, прилагаемыми к устройству. При несоблюдении нижеприведенных указаний возможно поражение электротоком, возникновение пожара и/или получение серьезных травм. **Сохраняйте эти инструкции и указания для будущего использования.**

⚠ УКАЗАНИЯ ПО ТЕХНИКЕ БЕЗОПАСНОСТИ ДЛЯ ДРЕЛЕЙ

1) Инструкция по безопасной эксплуатации для всех видов операций

- a) При ударе сверления надевайте защитные наушники.** Воздействие шума может привести к потере слуха.
- b) Пользуйтесь вспомогательной рукояткой(-ами).** Потеря контроля может стать причиной травмы.
- c) Держите электроинструмент только за изолированные поверхности рукояток, если Вы выполняете работы, при которых рабочий инструмент может попасть на скрытую электропроводку или на собственный шнур подключения питания.** Контакт режущего инструмента с токоведущим проводом может ставить под напряжение металлические части прибора, а также приводить к удару электрическим током.

2) Техника безопасности при работе с длинными буровыми коронками

- a) Ни в коем случае не работайте на скоростях, превышающих максимальные значения, установленные для буровой коронки.** На высоких скоростях, когда коронка будет свободно вращаться без заготовки, коронка может согнуться и вызвать травму.
- b) Всегда начинайте бурение на низкой скорости, предварительно обеспечив контакт инструмента с заготовкой.** На высоких скоростях, когда коронка будет свободно вращаться без контакта с заготовкой, коронка может согнуться и вызвать травму.
- c) Надавливайте на инструмент только в направлении коронки и не давите слишком сильно.** Коронки могут гнуться, что может вызвать поломку инструмента или потерю контроля над ним, а следовательно — причинить травму.

Дополнительные указания по безопасности и работе

Пользоваться средствами защиты. Работать с инструментом всегда в защитных очках. Рекомендуется спецодежда: пылезастыная маска, защитные перчатки, прочная и нескользящая обувь, каска и наушники.

Держите силовой провод вне рабочей зоны инструмента. Всегда прокладывайте кабель за спиной.

Запрещается обрабатывать материалы, которые могут нанести вред здоровью (напр., асбест).

При работе в стенах, потолках или полу следите за тем, чтобы не повредить электрические кабели или водопроводные трубы.

Зафиксируйте вашу заготовку с помощью зажимного приспособления. Незафиксированные заготовки могут привести к тяжелым травмам и повреждениям.

Не используйте алмазные коронки в режиме перфоратора.

При блокировании используемого инструмента немедленно выключить прибор! Не включайте прибор до тех пор, пока используемый инструмент заблокирован, в противном случае может возникнуть отдача с высоким реактивным моментом.

Определите и устраните причину блокирования используемого инструмента с учетом указаний по безопасности.

Возможными причинами остановки могут быть:

- перекос заготовки, подлежащей обработке
- разрушение материала, подлежащей обработке;
- перегрузка электроинструмента

Не прикасаться к работающему станку.

Используемый инструмент может нагреваться во время применения.

ВНИМАНИЕ! Опасность получения ожога

- при смене оснастки
- при укладывании прибора

Не убирайте опилки и обломки при включенном инструменте.

Перед выполнением каких-либо работ по обслуживанию инструмента всегда вынимайте вилку из розетки.

ЭКСПЛУАТАЦИЯ

Холодный запуск

Если этот инструмент хранится в течение длительного времени или при низких температурах, сначала он может плохо работать из-за затвердевания смазки.

Для прогревания инструмента

1. Вставьте в инструмент сверло или долото и зафиксируйте его.
2. Нажмите кнопку запуска и уприте долото или сверло в бетонную или деревянную поверхность на несколько секунд. Отпустите кнопку запуска.
3. Повторяйте до тех пор, пока инструмент не начнет совершать ударные движения. Чем холоднее инструмент, тем дольше он будет прогреваться.

ИСПОЛЬЗОВАНИЕ

Дрель может одинаково использоваться для сверления, ударного сверления, закручивания шурупов и нарезания резьбы.

ДЕКЛАРАЦИЯ О СООТВЕТСТВИИ СТАНДАРТАМ ЕС

Мы несем исключительную ответственность за то, что изделие, описанное в разделе «Техническая информация» соответствует всем применимым положениям директивы 2011/65/EU (RoHS)

2006/42/EC

2014/30/EU

а также следующим согласованным стандартам

EN 62841-1:2015

EN 62841-2-1:2018+A11:2019

EN 55014-1:2017+A11:2020

EN 55014-2:2015

EN 61000-3-2:2014

EN 61000-3-3:2013

EN IEC 63000:2018



Winnenden, 2020-11-27

Alexander Krug / Managing Director

Уполномочен на составление технической документации.

Techtronic Industries GmbH

Max-Eyth-Straße 10, 71364 Winnenden, Germany



ПОДКЛЮЧЕНИЕ К ЭЛЕКТРОСЕТИ

Электроприборы, используемые во многих различных местах, в том числе на открытом воздухе, должны подключаться через устройство, предотвращающее резкое повышение напряжения (FI, RCD, PRCD).

Подсоединять только к однофазной сети переменного тока с напряжением, соответствующим указанному на инструменте. Электроинструмент имеет второй класс защиты, что позволяет подключать его к розеткам электропитания без заземляющего вывода.

Вставляйте вилку в розетку только при выключенном инструменте.

ОБСЛУЖИВАНИЕ

Всегда держите охлаждающие отверстия чистыми.

Если инструмент используется в основном для ударного сверления регулярно удаляйте скопившуюся в патроне пыль. Для удаления пыли, держите инструмент вертикально патроном вниз и полностью откройте и закройте патрон. Скопившаяся пыль должна высыпаться из патрона. Рекомендуется периодически использовать чистящее средство (номер 4932 6217 19) для зажимных приспособлений и держателей буров.

Если требуется замена шнура питания, во избежание угроз безопасности она должна осуществляться производителем или его представителем.

Пользуйтесь аксессуарами и запасными частями Milwaukee. В случае возникновения необходимости в замене, которая не была описана, обращайтесь в один из сервисных центров по обслуживанию электроинструментов Milwaukee (см. список сервисных организаций).

При необходимости может быть заказан чертеж инструмента с трехмерным изображением деталей. Пожалуйста, укажите номер и тип инструмента и закажите чертеж у Ваших местных агентов или непосредственно у Techtronic Industries GmbH, Max-Eyth-Strasse 10, 71364 Winnenden, Germany.

СИМВОЛЫ



ВНИМАНИЕ! ПРЕДУПРЕЖДЕНИЕ! ОПАСНОСТЬ!



Перед выполнением каких-либо работ по обслуживанию инструмента всегда вынимайте вилку из розетки.



Пожалуйста, внимательно прочтите инструкцию по использованию перед началом любых операций с инструментом.



Принадлежности - В стандартную комплектацию не входит, поставляется в качестве дополнительной принадлежности.



Электроинструмент с классом защиты II. Электроинструмент, в котором защита от электрического удара зависит не только от основной изоляции, но и от того, что принимаются дополнительные защитные меры, такие как двойная изоляция или усиленная изоляция.

n₀

Число оборотов без нагрузки

V

Вольт пост. тока



Переменный ток



Электрические устройства нельзя утилизировать вместе с бытовым мусором. Электрические и электронные устройства следует собирать отдельно и сдавать в специализированную утилизирующую компанию для утилизации в соответствии с нормами охраны окружающей среды. Сведения о центрах вторичной переработки и пунктах сбора можно получить в местных органах власти или у вашего специализированного дилера.



Европейский знак соответствия



Британский знак соответствия



Украинский знак соответствия

001



Евразийский знак соответствия



ТЕХНИЧЕСКИ ДАННИ Ударна бормашина	PD2E 22 R (220-240 V)	PD2E 24 R (220-240 V)
Производствен номер	4195 71 03... ... 000001-999999	4195 96 03... ... 000001-999999
Номинална консумирана мощност	850 W	1020 W
Отдавана мощност	460 W	540 W
Обороти на празен ход, 1. скорост	0-1000 min ⁻¹	0-1000 min ⁻¹
Обороти на празен ход, 2. скорост	0-3200 min ⁻¹	0-3200 min ⁻¹
Обороти при натоварване макс., 1. скорост	0-680 min ⁻¹	0-680 min ⁻¹
Обороти при натоварване макс., 2. скорост	0-2100 min ⁻¹	0-2100 min ⁻¹
Макс. брой на ударите при натоварване макс.	40 000 min ⁻¹	40 000 min ⁻¹
Статичен блокиращ момент*	56/30 Nm	60/33 Nm
Диаметър на свредлото за бетон	20 mm	22 mm
Диаметър на свредлото за обикновени и силикатни тухли	22 mm	24 mm
Диаметър на свредлото за стомана	13 mm	16 mm
Диаметър на свредлото за дърво	40 mm	40 mm
Затегателен участък на патронника	1,5-13 mm	1,5-13 mm
Шпиндел на бормашиката	1/2" x 20	1/2" x 20
Диаметър на отвора на патронника	43 mm	43 mm
Тегло съгласно процедурата ЕРТА 01/2014	2,8 kg	2,9 kg
Информация за шума Измерените стойности са получени съобразно EN 62841. Оцененото с А ниво на шума на уреда е съответно:		
Равнище на звуковото налягане (Несигурност K=3dB(A))	98 dB (A)	96 dB (A)
Равнище на мощността на звука (Несигурност K=3dB(A))	109 dB (A)	107 dB (A)
Да се носи предпазно средство за слуха!		
Информация за вибрациите Общите стойности на вибрациите (векторна сума на три посоки) са определени в съответствие с EN 62841.		
Пробиване на метал		
Стойност на емисии на вибрациите a _{h,d}	7,6 m/s ²	10,0 m/s ²
Несигурност K=	1,5 m/s ²	1,5 m/s ²
Ударно пробиване в бетон		
Стойност на емисии на вибрациите a _{h,ld}	17,1 m/s ²	17,8 m/s ²
Несигурност K=	1,5 m/s ²	1,5 m/s ²

* Измерено по стандарт N 877318 на Milwaukee

ВНИМАНИЕ!

Посоченото в тези инструкции ниво на вибрациите е измерено в съответствие със стандартизиран в EN 62841 измервателен метод и може да се използва за сравнение на електрически инструменти помежду им. Подходящ е и за временна оценка на вибрационното натоварване.

Посоченото ниво на вибрациите представя основните приложения на електрическия инструмент. Ако обаче електрическият инструмент се използва с друго предназначение, с различни сменяеми инструменти или при недостатъчна техническа поддръжка, нивото на вибрациите може да е различно. Това чувствително може да увеличи вибрационното натоварване по време на целия работен цикъл.

За точната оценка на вибрационното натоварване трябва да се вземат предвид и периодите от време, в които уредът е изключен или работи, но в действителност не се използва. Това чувствително може да намали вибрационното натоварване по време на целия работен цикъл.

Определете допълнителни мерки по техника на безопасност в защита на обслужващия работник от въздействието на вибрациите като например: техническа поддръжка на електрическия инструмент и сменяемите инструменти, поддържане на ръцете топли, организация на работния цикъл.



▲ ВНИМАНИЕ Прочетете всички указания за безопасност, инструкции, изображенията и техническите данни, които получавате у уреда. Ако не спазвате следните указания, това може да доведе до токов удар, пожар и/или тежки наранявания. **Запазете всички указания и инструкции за безопасност за бъдещето.**

▲ УКАЗАНИЯ ЗА БЕЗОПАСНОСТ ЗА БОРМАШИНИ

1) Инструкции за безопасност при всички дейности

a) Носете предпазни тапи за ушите при ударното пробиване. Шумът може да доведе до загуба на слуха.

b) Използвайте допълнителната ръкохватка или ръкохватки. Загубата на контрол може да доведе до наранявания.

c) Дръжте уреда за изолираните ръкохватки, когато извършвате работи, при които режещият инструмент може да засегне скрити електроинсталационни кабели или собствени си кабели. Контактът на режещия инструмент с тоководещ проводник може да предаде напрежението върху метални части на уреда и да доведе до токов удар.

2) Инструкции за безопасност при използването на дълги пробивни свредла

a) Никога не пробивайте с по-голяма скорост от максималната обозначена върху свредлото. При по-високи скорости е възможно свредлото да се изкриви, ако бъде оставено да се върти свободно, без да влиза в досег с работния детайл, а това може да доведе до нараняване.

b) Винаги започвайте да пробивате на ниска скорост, като върхът на свредлото е в досег с работния детайл. При по-високи скорости е възможно свредлото да се изкриви, ако бъде оставено да се върти свободно, без да влиза в досег с работния детайл, а това може да доведе до нараняване.

c) Натискайте само успоредно на свредлото и не прилагайте вървде голям натиск. Възможно е свредлото да се изкриви, което да доведе до счупване или загуба на контрол, а това от своя страна да причини наранявания.

Допълнителни указания за работа и безопасност

Да се използва предпазни средства. При работа с машината винаги носете предпазни очила. Препоръчват се защитно облекло и прахозащитна маска, защитни ръкавици, здрави и нехлъзгащи се обувки, каска и предпазни средства за слуха.

Свързващият кабел винаги да се държи извън работния обсег на машината. Кабелът да се отвежда от машината винаги назад.

Не е разрешена обработката на материали, които представляват опасност за здравето (напр. азбест).

При работа в стени, тавани или подове внимавайте за кабели, газопроводи и водопроводи.

Закрепете обработваната част с устройство за захващане. Незакрепени части за обработка могат да причинят сериозни наранявания и материални щети.

При работи с диамантени боркорони изключете ударния механизъм. Ако използваният инструмент блокира, изключете веднага уреда! Не включвайте уреда отново, докато използваният инструмент е блокиран; това би могло да доведе до откат с висока реактивна сила. Открийте и отстранете причината за блокирането на използвания инструмент и майки в предвид инструкциите за безопасност.

Възможна причина за това може да бъде:

- Заклинване в обработваната част
- Пречупване на обработвания материал
- Пренатоварване на електрическия инструмент

Не бъркайте в машината, докато тя работи.

Използваният инструмент може да загрее по време на употреба. **ВНИМАНИЕ!** Опасност от изгаряния

- при смяна на инструмента
- при оставяне на уреда

Стружи или отчупени парчета да не се отстраняват, докато машина работи.

Преди каквито и да е работи по машината извадете щепсела от контакта.

ОПЕРАЦИЯ

Студено стартиране

Ако инструментът не е бил ползван продължително време или е бил съхраняван на студено, е възможно първоначално да не успее да извърши забиване поради вътвърдяване на смазката.

За да загреете инструмента

1. Поставете бургия или секач в инструмента и го заключете на позиция.

2. Дръпнете пусковия ключ и притиснете бургията/секача към бетонна или дървена повърхност в продължение на няколко секунди. Освободете пусковия ключ.

3. Повтаряйте, докато инструментът започне да забива. Колкото по-студен е инструментът, толкова повече време ще му е нужно, за да загрее.

ИЗПОЛЗВАНЕ ПО ПРЕДНАЗНАЧЕНИЕ

Ударната бормашина може да се използва универсално за пробиване и ударно пробиване.

СЕ - ДЕКЛАРАЦИЯ ЗА СЪОТВЕТВИЕ

Ние декларираме, изцяло на наша отговорност, че продуктът, описан в „Технически данни“, съответства на всички необходими изисквания на директивите

2011/65/EC (RoHS)

2006/42/EC

2014/30/EC

и че са използвани следните хармонизирани стандарти

EN 62841-1:2015

EN 62841-2-1:2018+A11:2019

EN 55014-1:2017+A11:2020

EN 55014-2:2015

EN 61000-3-2:2014

EN 61000-3-3:2013

EN IEC 63000:2018



Winnenden, 2020-11-27

Alexander Krug / Managing Director

Упълномощен за съставяне на техническата документация

Techtronic Industries GmbH

Max-Eyth-Straße 10, 71364 Winnenden, Germany

ЗАЩИТА НА ДВИГАТЕЛЯ В ЗАВИСИМОСТ ОТ НАТОВАРВАНЕТО

Контактите във външните участъци трябва да бъдат оборудвани със защитни прекъсвачи за утечен ток (FI, RCD, PRCD). Това изисква предписанието за инсталиране за електрическата инсталация. Моля спазвайте това при използване на Вашия уред.

Да се свързва само към еднофазен променлив ток и само към мрежово напрежение, посочено върху заводската табелка. Възможно е и свързване към контакт, който не е от тип „шуко“, понеже конструкцията е от защитен клас II.

Свързвайте машината към контакта само в изключено положение.

ПОДДРЪЖКА

Вентилационните шлицы на машината да се поддържат винаги чисти.

Когато машината често се използва за ударно пробиване, патронникът следва често да се почиства от прах. За целта дръжте машината с патронника вертикално надолу, отворяйте патронника напълно и после го затваряйте. Така насъбралият се прах пада от патронника. Препоръчва се редовно използване на спрей за почистване (Ид. № 4932 6217 19) на затегателните челюсти и на техните отвори.

Ако е необходима подмяна на захранващия кабел, тя трябва да бъде извършена от производителя или негов представител, за да се избегнат рискове за безопасността.

Да се използват само аксесоари на Milwaukee и резервни части на Milwaukee. Елементи, чията подмяна не е описана, да се дадат за подмяна в сервиз на Milwaukee (вижте брошурата „Гаранция и адреси на сервизи“).

При необходимост можете да поискате за уреда от Вашия сервиз или директно от Techtronic Industries GmbH, Max-Eyth-Straße 10, 71364 Winnenden, Germany, чертеж за в случай на експлозия, като посочите типа на машината и номер върху заводската табелка.

СИМВОЛИ



ВНИМАНИЕ! ПРЕДУПРЕЖДЕНИЕ! ОПАСНОСТ



Преди каквито и да е работи по машината извадете щепсела от контакта.



Преди пускане на уреда в действие моля прочетете внимателно инструкцията за използване.



Аксесоари - Не се съдържат в обема на доставката, препоръчано допълнение от програмата за аксесоари.



Електроинструмент от защитен клас II. Електроинструмент, при който защитата от електрически удар зависи не само от основната изолация, а и от обстоятелството, че се използват допълнителни защитни мерки като двойна изолация или усилена изолация.

n₀

Обороти на празен ход

V

Напрежение



Променлив ток



Електрическите уреди не трябва да се изхвърлят заедно с битовите отпадъци. Електрическото и електронното оборудване трябва да се събират отделно и да се предават на службите за рециклиране на отпадъците според изискванията за опазване на околната среда. Информирайте се при местните служби или при местните специализирани търговци относно местата за събиране и центровете за рециклиране на отпадъци.



Европейски знак за съответствие



Британски знак за съответствие



Украински знак за съответствие



Евро-азиатски знак за съответствие



DATE TEHNICE Ciocan rotopercutor	PD2E 22 R (220-240 V)	PD2E 24 R (220-240 V)
Număr producție	4195 71 03... ... 000001-999999	4195 96 03... ... 000001-999999
Putere nominală de ieșire	850 W	1020 W
Putere de ieșire	460 W	540 W
Viteza de mers în gol, prima treaptă de putere	0-1000 min ⁻¹	0-1000 min ⁻¹
Viteza de mers în gol, a 2-a treaptă de putere	0-3200 min ⁻¹	0-3200 min ⁻¹
Viteza sub sarcina max., prima treaptă de putere	0-680 min ⁻¹	0-680 min ⁻¹
Viteza sub sarcina max., a 2-a treaptă de putere	0-2100 min ⁻¹	0-2100 min ⁻¹
Rata de percuzie sub sarcină max.	40 000 min ⁻¹	40 000 min ⁻¹
Moment static de comprimare (apăsare)*	56/30 Nm	60/33 Nm
Capacitate de perforare în beton	20 mm	22 mm
Capacitate de perforare în cărămidă și țiglă	22 mm	24 mm
Capacitate de găurire în oțel	13 mm	16 mm
Capacitate de găurire în lemn	40 mm	40 mm
Interval de deschidere burghiu	1,5-13 mm	1,5-13 mm
Capăt de acționare	1/2" x 20	1/2" x 20
Diametru gât mandrină	43 mm	43 mm
Greutatea conform „EPTA procedure 01/2014”	2,8 kg	2,9 kg
Informație privind zgomotul		
Valori măsurate determinate conform EN 62841. Nivelul de zgomot evaluat cu A al aparatului este tipic de:		
Nivelul presiunii sonore (Nesiguranță K=3dB(A))	98 dB (A)	96 dB (A)
Nivelul sunetului (Nesiguranță K=3dB(A))	109 dB (A)	107 dB (A)
Purtați căști de protecție		
Informații privind vibrațiile		
Valorile totale de oscilație (suma vectorială pe trei direcții determinate conform normei EN 62841.		
Găurit în metal		
Valoarea emisie de oscilații a _{n,D}	7,6 m/s ²	10,0 m/s ²
Nesiguranță K=	1,5 m/s ²	1,5 m/s ²
Găurit cu percuzie în beton		
Valoarea emisie de oscilații a _{n,10}	17,1 m/s ²	17,8 m/s ²
Nesiguranță K=	1,5 m/s ²	1,5 m/s ²

* Măsurată conform normei Milwaukee N 877318

AVERTISMENT!

Gradul de oscilație indicat în prezentele instrucțiuni a fost măsurat în conformitate cu o procedură de măsurare normată prin norma EN 62841 și poate fi folosit pentru a compara unelte electrice între ele. El se pretează și pentru o evaluare provizorie a solicitării la oscilații.

Gradul de oscilație indicat reprezintă aplicațiile principale ale uneltelor electrice. În cazul în care însă uneltele electrice au fost folosite pentru alte aplicații, ori au fost folosite unelte de muncă diferite ori acestea nu au fost supuse unei suficiente inspecții de întreținere, gradul de oscilație poate fi diferit.

Acest fapt poate duce la o creștere netă a solicitărilor la oscilații dealungul întregii perioade de lucru. În scopul unei evaluări exacte a solicitării la oscilații, urmează să fie luate în considerație și perioadele de timp în care aparatul a fost oprit ori funcționează dar, în realitate, el nu este folosit în mod practic. Acest fapt poate duce la o reducere netă a solicitărilor la oscilații dealungul întregii perioade de lucru.

Stabiliți măsuri de siguranță suplimentare în scopul protecției utilizatorului de efectele oscilațiilor, de exemplu: inspecție de întreținere a uneltelor electrice și a celor de muncă, păstrarea caldă a mâinilor, organizarea proceselor de muncă.

⚠️ AVERTISMENT Citiți toate instrucțiunile de securitate, recomandările, reprezentările grafice și datele pe care le primiți livrate împreună cu aparatul. În cazul în care nu veți respecta următoarele instrucțiuni, se poate ajunge la electrocutare, incendii și/sau răni grave.
Păstrați toate indicațiile de avertizare și instrucțiunile în vederea utilizărilor viitoare.

⚠️ INSTRUCȚIUNI DE SIGURANȚĂ PENTRU MAȘINILE DE GĂURIT

1) Instrucțiuni de siguranță pentru toate operațiile

a) La găurirea cu percuție purtați echipament de protecție pentru auz. Expunerea la zgomot poate duce la pierderea auzului.

b) Utilizați mânerul auxiliar (mănerle auxiliare). Pierderea controlului poate provoca rănirea persoanelor.

c) Apucați scula electrică numai de mânerle izolate atunci când executați lucrări la care dispozitivul de lucru poate nimeri conductori electrici ascunși sau propriul cablu de alimentare. Intrarea în contact a sculei tăietoare cu o linie electrică prin care circulă curent poate pune sub tensiune și componente metalice ale aparatului și să ducă la electrocutare.

2) Instrucțiuni de siguranță la utilizarea biților lungi de găurire

a) Nu operați niciodată la viteză mai mare decât viteza nominală maximă a bitului de găurire. La viteze mai mari, este posibil ca bitul să se îndoiească dacă ajunge să se rotească liber, fără contactul cu piesa de prelucrat, ceea ce duce la vătămări corporale.

b) Începeți întotdeauna găurirea la viteză redusă și cu vârful bitului în contact cu piesa de prelucrat. La viteze mai mari, este posibil ca bitul să se îndoiească dacă ajunge să se rotească liber, fără contactul cu piesa de prelucrat, ceea ce duce la vătămări corporale.

c) Aplicați presiune numai pe direct pe linia bitului, fără ca această presiune să fie excesivă. Biții se pot îndoii, provocând ruperea sau având drept rezultat pierderea controlului, ceea ce duce la vătămări corporale.

Instrucțiuni suplimentare de siguranță și de lucru

Folosiți echipament de protecție. Purtați întotdeauna ochelari de protecție când lucrați cu mașina. Se recomandă utilizarea hainelor de protecție ca de ex. Măști contra prafului, mănuși de protecție, încălțăminte stabilă nealunecoasă, cască și apărătoare de urechi.

Păstrați cablul de alimentare la o distanță de arie de lucru a mașinii. Întotdeauna țineți cablul în spatele dvs.

Nu se admite prelucrarea unui material care poate pune în pericol sănătatea operatorului (de exemplu azbestul).

Când se lucrează pe pereți, tavan sau dușumea, aveți grijă să evitați cablurile electrice și țevile de gaz sau de apă.

Asigurați piesa de prelucrat cu un dispozitiv de fixare. Piesele neasigurate pot provoca accidentări grave și stricăciuni.

Nu folosiți burghie cu diamant pe modul ciocan.

La blocarea sculei demontabile vă rugăm să deconectați imediat aparatul! Nu conectați aparatul atâta timp cât scula demontabilă este blocată; dacă o faceți, s-ar putea să se producă un recul cu un cuplu mare de reacție. Găsiți și remediați cauza de blocare a sculei demontabile respectând indicațiile pentru siguranță.

Cauze posibile pentru aceasta pot fi:

- Agățarea în piesa de prelucrat
- Penetrarea completă în materialul de prelucrat
- Suprasolicitarea sculei electrice

Nu atingeți părțile mașinii aflate în rotație.

Scula introdusă poate să devină fierbinte în timpul utilizării.

AVERTISMENT! Pericol de arsuri

- la schimbarea sculei
- la depunerea aparatului

Rumegșul și șpanul nu trebuie îndepărtate în timpul funcționării mașinii.

Întotdeauna scoateți steclarul din priză înainte de a efectua intervenții la mașină.

OPERAREA

Pornire la rece

Dacă acest instrument este depozitat o perioadă lungă de timp sau la temperaturi reci, este posibil ca la început să nu lovească, deoarece lubrifierea a devenit rigidă.

Pentru a încălzi instrumentul

1. Introduceți și blocați un burghiu sau daltă în sculă.

2. Trageți declanșatorul și aplicați forța pe burghiu sau daltă pe o suprafață de beton sau lemn timp de câteva secunde. Eliberați declanșatorul.

3. Repetați până când scula începe să bată. Cu cât scula este mai rece, cu atât va dura mai mult timp încălzirea ei.

CONDIȚII DE UTILIZARE SPECIFICATE

Mașina electronică de găurit / de înșurubat pot fi utilizate universal pentru găurire și găurire cu percuție,

DECLARAȚIE DE CONFORMITATE

Declarăm pe propria răspundere că produsul descris în capitolul „Date tehnice” îndeplinește toate cerințele relevante ale directivelor

2011/65/UE (RoHS)

2006/42/CE

2014/30/UE

și au fost utilizate următoarele standarde armonizate

EN 62841-1:2015

EN 62841-2-1:2018+A11:2019

EN 55014-1:2017+A11:2020

EN 55014-2:2015

EN 61000-3-2:2014

EN 61000-3-3:2013

EN IEC 63000:2018



Winnenden, 2020-11-27

Alexander Krug / Managing Director

Împuternicit să elaboreze documentația tehnică.

Techtronic Industries GmbH

Max-Eyth-Straße 10, 71364 Winnenden, Germany

ALIMENTARE DE LA REȚEA

Aparatele utilizate în multe locații diferite inclusiv în aer liber trebuie conectate printr-un disjunctor (FI, RCD, PRCD) care previne comutarea.

Conectați numai la priza de curent alternativ monofazat și numai la tensiunea specificată pe plăcuța indicatoare. Se permite conectarea și la prize fără împamantare dacă modelul se conformează clasei II de securitate.

Conectați la rețea numai când mașina este oprită.

INTREȚINERE

Fantele de aerisire ale mașinii trebuie să fie menținute libere tot timpul

Dacă mașina este folosită în principal pentru perforare prin percuție, înlăturați în mod regulat praful colectat din mandrină. Pentru a înlătura praful, țineți mașina cu mandrina vertical în jos și deschideți mandrina complet și închideți-o. Praful colectat va cădea din mandrină. Se recomandă utilizarea regulată a unui aspirator pentru fâlcile de strângere și orificiile acestora.

Dacă este necesară înlocuirea cablului, acest lucru trebuie efectuat de către producător sau de către reprezentantul acestuia, pentru a evita periclitarea siguranței.

Utilizați numai accesorii și piese de schimb Milwaukee. Dacă unele din componente care nu au fost descrise trebuie înlocuite, vă rugăm contactați unul din agenții de service Milwaukee (vezi lista noastră pentru service / garanți

Dacă este necesară, se poate comanda o imagine descompusă a sculei. Vă rugăm menționați numărul art. Precum și tipul mașinii tipărit pe etichetă și comandați desenul la agenții de service locali sau direct la Techtronic Industries GmbH, Max-Eyth-Straße 10, 71364 Winnenden, Germany.

SIMBOLURI



PERICOL! AVERTIZARE! ATENȚIE!



Întotdeauna scoateți stecarul din priza înainte de a efectua intervenții la mașină.



Vă rugăm citiți cu atenție instrucțiunile înainte de pornirea mașinii



Accesorii - Nu este inclus în echipamentul standard, disponibil ca accesoriu



Scală electrică cu clasa de protecție II. Scală electrică la care protecția împotriva unei electrocutări nu depinde doar de izolația de bază, ci și de aplicarea de măsuri suplimentare de protecție, cum ar fi o izolație dublă sau o izolație mai puternică.

n₀

Viteza de mers în gol

V

Tensiune



Curent alternativ



Aruncarea aparatelor electrice la gunoierul menajer este interzisă. Echipamentele electrice și electronice trebuie colectate separat și predate la un centru de reciclare și eliminare a deșeurilor, pentru a fi eliminate ecologic. Interesați-vă la autoritățile locale sau la comerciantul dvs. de specialitate unde se află centre de reciclare și puncte de colectare.



Marcă de conformitate europeană



Marcă de conformitate britanică



Marcă de conformitate ucraineană

001



Marcă de conformitate eurasiatică



Ro

ТЕХНИЧКИ ПОДАТОЦИ Ударна бормашина а	PD2E 22 R (220-240 V)	PD2E 24 R (220-240 V)
Производен број	4195 71 03... ... 000001-999999	4195 96 03... ... 000001-999999
Определен внес	850 W	1020 W
Излез	460 W	540 W
Брзина без оптоварување, прва брзина	0-1000 min ⁻¹	0-1000 min ⁻¹
Брзина без оптоварување, втора брзина	0-3200 min ⁻¹	0-3200 min ⁻¹
Брзина при оптоварување макс., прва брзина	0-680 min ⁻¹	0-680 min ⁻¹
Брзина при оптоварување макс., втора брзина	0-2100 min ⁻¹	0-2100 min ⁻¹
Јачина на удар под оптоварување макс.	40 000 min ⁻¹	40 000 min ⁻¹
Статички момент на блокирање*	56/30 Nm	60/33 Nm
Капацитет на дупчење во бетон	20 mm	22 mm
Капацитет на дупчење во тули и плочки	22 mm	24 mm
Капацитет на дупчење во челик	13 mm	16 mm
Капацитет на дупчење во дрво	40 mm	40 mm
Опсег на отворање на бушотина	1,5-13 mm	1,5-13 mm
Возен крак	1/2" x 20	1/2" x 20
Дијаметар на вратот на врв.	43 mm	43 mm
Тежина според ЕПТА-процедурата 01/2014	2,8 kg	2,9 kg
Информации за бучавата Измерените вредности се одредени согласно стандардот EN 62841. А-оценетото ниво на бучава на апаратот типично изнесува:		
Ниво на звучен притисок. (Несигурност K=3dB(A))	98 dB (A)	96 dB (A)
Ниво на јачина на звук. (Несигурност K=3dB(A))	109 dB (A)	107 dB (A)
Носте штитник за уши.		
Информации за вибрации Вкупни вибрациски вредности (векторски збир на трите насоки) пресметани согласно EN 62841.		
Дупчење во метал		
Вибрациска емисиона вредност a _{h,D}	7,6 m/s ²	10,0 m/s ²
Несигурност K	1,5 m/s ²	1,5 m/s ²
Перкусиско дупчење во бетон		
Вибрациска емисиона вредност a _{h,D}	17,1 m/s ²	17,8 m/s ²
Несигурност K	1,5 m/s ²	1,5 m/s ²

* Мерни во зависност од Milwaukee норма N 877318

ПРЕДУПРЕДУВАЊЕ!

Нивото на осцилација наведено во овие инструкции е измерено во согласност со мерните постапки нормирани во EN 62841 и може да биде употребено за меѓусебна споредба на електро-алати. Ова ниво може да се употреби и за привремена проценка на оптоварувањето на осцилацијата.

Наведеното ниво на осцилација ги репрезентира главните намени на електро-алатот. Но, доколку електро-алатот се употребува за други намени, со отстапувачки додатоци или со несоодветно одржување, нивото на осцилација може да отстапи. Тоа може значително да го зголеми оптоварувањето на осцилацијата за време на целиот работен период.

За прецизна проценка на оптоварувањето на осцилацијата предвид треба да бидат земени и времињата, во коишто апаратот е исклучен или работи, но фактички не се употребува. Тоа може значително да го намали оптоварувањето на осцилацијата за време на целиот работен период.

Утврдете дополнителни безбедносни мерки за заштита на операторот од влијанието на осцилациите, како на пример: одржување на електро-алатот и на додатоци кон електро-алатот, одржување топли раце, организација на работните процеси.



Mak

▲ ПРЕДУПРЕДУВАЊЕ Прочитајте ги сите безбедносни напомени, упатства, цртежи и податоци, коишто ги добивате заедно со уредот. Доколку не ги почитувате следните упатства, може да дојде до електричен удар, до пожар и/или до тешки повреди.
Сочувајте ги сите безбедносни упатства и инструкции за во иднина.

▲ БЕЗБЕДНОСНИ НАПОМЕНИ ЗА ПЕРКУСИОНИ БОРМАШИНИ

1) Безбедносни упатства за сите операции

- а) При работата со перкусионата бормашина носете заштита за ушите.** Влијанието на бука може да предизвика губење на сетилото за слух.
- б) Користете ја помошната рачка(и).** Губењето контрола може да предизвика повреда.
- в) з) Фаќајте го електро-алатот само на изолирани површини за држење, додека извршувате работи, кај кои приборот може да погоди сокриени струјни водови или сопствениот кабел за напојување со струја.** Контакт со жица под напон исто така ќе направи проводници од металните делови и оној кој ракува со алатот ќе доживее струен удар.

2) Безбедносни упатства кога користите долги бургии за дупчење

- а) Никогаш не користете на повисока брзина од максималната брзина на бургијата за дупчење.** На повисоки брзини, бургијата може да се извитка ако се остави слободно да се врти без да го допира парчето за обработка и да доведе до телесна повреда.
- б) Секогаш започнете го дупчењето со мала брзина и со врвот на бургијата во контакт со парчето за обработка.** На повисоки брзини, бургијата може да се извитка ако се остави слободно да се врти без да го допира парчето за обработка и да доведе до телесна повреда.
- в) Применете притисок само во директна линија со бургијата и да не применувате прекумерен притисок.** Бургните може да се извиткаат и да предизвикаат кршење или губење на контрола и да дојде до телесна повреда.

Останати безбедносни и работни упатства

Употребувајте заштитна опрема. При работа со машината постојано носете заштитни очила. Се препорачува заштитна облека како: маска за заштита од прашина, заштитни ракавици, цврсти чевли што не се лизгаат, кацига и заштита за уши.

Чувајте го кабелот за напојување подалеку од работната површина. Секогаш водете го кабелот позади вас.

Не смеат да бидат обработувани материјали кои што можат да го загрозат здравјето (на пр. азбест).

Кога работите на ѕидови, таван или под внимавајте да ги избегнете електричните, гасните и водоводни инсталации.

Обезбедете го предметот кој што го обработувате со направа за напон. Необезбедени парчиња кои што се обработуваат можат да предизвикаат тешки повреди и оштетувања.

Не употребувајте дупчалки со дијамантско јадро при ударниот модусот.

Доколку употребуваното орудие се блокира, молиме веднаш да се исклучи апаратот! Не го вклучувајте апаратот повторно додека употребуваното орудие е блокирано; притоа би можело да дојде до повратен удар со висок момент на реакција. Испитајте и отстранете

ја причината за блокирањето на употребеното орудие имајќи ги во предвид напомените за безбедност.

Можни причини за тоа може да бидат следните:

- Закантување во парчето кое што се обработува
- кршење на материјалот што се обработува
- Преоптоварување на електричното орудие

Не фаќајте во машината кога работи.

Употребеното орудие за време на примената може да стане многу жешко.

ПРЕДУПРЕДУВАЊЕ! Опасност од изгоретини

- при менување на орудите
- при ставање на апаратот на страна

Прашината и стругутините не смеат да се одстрануваат додека е машината работи.

Секогаш кога преземате активности врз машината исклучете го кабелот од струјата.

ОПЕРАЦИЈА

Ладно стартување

Ако алатот бил складиран подолг период или на ладни температури, може почетно да не удира поради стврдување на подмачкувањето.

За да го загреете алатот

1. Вметнете и заклучете бургија или длето во алатот.
2. Повлечете го прекинувачот и применете сила на бургијата или на длетото на бетонска и дрвена површина неколку секунди. Отпуштете го прекинувачот.
3. Повторете додека алатот не почне да удира. Колку е поладен алатот, толку подолго време ќе му биде потребно да се загрее.

СПЕЦИФИЦИРАНИ УСЛОВИ НА УПОТРЕБА

Дупчалката/шрафцигерот може да биде универзално користен за дупчење и перкусиско дупчење.

ЕУ-ДЕКЛАРАЦИЈА ЗА СООБРАЗНОСТ

Под целосна лична одговорност изјавуваме дека производот опишан во „Технички податоци“ е во сообразност со сите релевантни прописи од директивите

2011/65/EU (RoHS)
2006/42/EC

2014/30/EU

и дека се применети следните хармонизирани стандарди

EN 62841-1:2015
EN 62841-2-1:2018+A11:2019
EN 55014-1:2017+A11:2020
EN 55014-2:2015
EN 61000-3-2:2014
EN 61000-3-3:2013
EN IEC 63000:2018



Winnenden, 2020-11-27

Alexander Krug / Managing Director

Ополномоштен за составување на техничката документација.

Techtronic Industries GmbH

Max-Eyth-Straße 10, 71364 Winnenden, Germany

Македонски



ГЛАВНИ ВРСКИ

Уредите кои се користат на многу различни локации вклучувајќи и отворен простор мора да бидат поврзани за струја преку направата за поврзување (FI, RCD, PRCD).

Да се спои само за една фаза АС коло и само на главниот напон наведен на плочката. Можно е исто така и поврзување на приклучок без заземјување доколку изведбата соодветствува на безбедност од 2 класа.

Вклучувањето на кабелот во струја се прави исклучиво машината е исклучена.

ОДРЖУВАЊЕ

Вентилациските отвори на машината мора да бидат комплетно отворени постојано.

Доколку машината воглавном се користи за удирачко дупчење, редовно чистете ја насобраната прашина од продолжетокот. За да го направите тоа држете ја машината свртена со главата надолу вертикално и потполно отворете ја и затворете ја главата. Насобраната прашина ќе падне од неа. Се препорачува редовно користење на клинер за стегите и затегачите.

Ако е потребна замена на струјниот кабел, тоа треба да го направи производителот или неговиот застапник со цел да се избегнат опасности.

Користете само Milwaukee додатоци и резервни делови. Доколку некои од компонентите кои не се опишани треба да бидат заменети, Ве молиме контактирајте ги сервисните агенти на Milwaukee (консултирајте ја листата на адреси).

Доколку е потребно можно е да биде набавен детален приказ на алатот. Ве молиме наведете го бројот на артиклот како и типот на машина кој е отпечатен на етикетата и порачајте ја скицата кај локалниот застапник или директно кај: Technonic Industries GmbH, Max-Eyth-Straße 10, 71364 Winnenden, Germany.

СИМБОЛИ



ВНИМАНИЕ! ПРЕДУПРЕДУВАЊЕ! ОПАСНОСТ!



Секогаш кога преземате активности врз машината исклучете го кабелот од струјата.



Ве молиме пред да ја стартувате машината обрнете внимание на упатствата за употреба.



Дополнителна опрема - Не е вклучена во стандардната, а достапна е како додаток.



Електрично орудие од заштитната категорија II. Електрично орудие чијашто заштита од електричен удар не зависи само од основната изолација туку и од тоа дали ќе се применат дополнителните заштитни мерки како што се двоструките изолации или појачаната изолација.

n₀

Брзина без оптоварување

V

Волти



Наизменична струја



Електричните апарати не смеат да се фрлат заедно со домашниот отпад. Електричните и електронските апарати треба да се собираат одделно и да се однесат во соодветниот погон заради нивно фрлање во склад со начелата за заштита на околината. Информирајте се кај Вашите местни служби или кај специјализираниот трговски претставник, каде има такви погони за рециклажа и собирни станици.

CE

Европска ознака за сообразност

UKCA

Британска ознака за сообразност



Украинска ознака за сообразност

001

EAC

Евроазиска ознака за сообразност





ТЕХНІЧНІ ХАРАКТЕРИСТИКИ Ударний дріль	PD2E 22 R (220-240 V)	PD2E 24 R (220-240 V)
Номер виробу	4195 71 03... ... 000001-999999	4195 96 03... ... 000001-999999
Номінальна споживана потужність	850 W	1020 W
Віддавана потужність	460 W	540 W
Кількість обертів холостого ходу, 1-а передача	0-1000 min ⁻¹	0-1000 min ⁻¹
Кількість обертів холостого ходу, 2-а передача	0-3200 min ⁻¹	0-3200 min ⁻¹
Кількість обертів під навантаженням макс., 1-а передача	0-680 min ⁻¹	0-680 min ⁻¹
Кількість обертів під навантаженням макс., 2-а передача	0-2100 min ⁻¹	0-2100 min ⁻¹
Кількість ударів під навантаженням макс.	40 000 min ⁻¹	40 000 min ⁻¹
Статичний момент блокування*	56/30 Nm	60/33 Nm
Ø свердління бетону	20 mm	22 mm
Ø свердління цегли та силікатної цегли	22 mm	24 mm
Ø свердління сталі	13 mm	16 mm
Ø свердління деревини	40 mm	40 mm
Ділянка затискання свердлильного патрона	1,5-13 mm	1,5-13 mm
Розточувальний шпindelь	1/2" x 20	1/2" x 20
Шийка затиску, Ø	43 mm	43 mm
Вага згідно з процедурою EPTA 01/2014	2,8 kg	2,9 kg
Інформація про шум Вимірні значення визначені згідно з EN 62841. Рівень шуму „А” приладу становить в типовому випадку:		
Рівень звукового тиску (похибка К = 3 дБ(А)) Рівень звукової потужності (похибка К = 3 дБ(А)) Використовувати засоби захисту органів слуху!	98 dB (A) 109 dB (A)	96 dB (A) 107 dB (A)
Інформація щодо вібрації Сумарні значення вібрації (векторна сума трьох напрямків), встановлені згідно з EN 62841.		
Свердління в метали Значення вібрації a _{h,10} похибка К =	7,6 m/s ² 1,5 m/s ²	10,0 m/s ² 1,5 m/s ²
Ударне свердління бетону Значення вібрації a _{h,10} похибка К =	17,1 m/s ² 1,5 m/s ²	17,8 m/s ² 1,5 m/s ²

* Вимірюється за стандартом Milwaukee N 877318

ПОПЕРЕДЖЕННЯ!

Рівень вібрації, вказаний в цій інструкції, вимірювався згідно з методом вимірювання, нормованим стандартом EN 62841, і може використовуватися для порівняння електроінструментів. Він призначений також для попередньої оцінки навантаження від вібрації. Вказаний рівень вібрації відповідає основним сферам використання електроінструменту. Але якщо електроінструмент використовується для іншої мети, з іншими вставними інструментами або при недостатньому технічному обслуговуванні, рівень вібрації може бути іншим. Це може значно підвищити навантаження від вібрації за весь період роботи. Для точної оцінки навантаження від вібрації необхідно також враховувати час, коли прилад вимкнений або увімкнений, але фактично не використовується. Це може значно зменшити навантаження від вібрації за весь період роботи. Визначте додаткові заходи безпеки для захисту оператора від дії вібрації, наприклад: Технічне обслуговування електроінструменту та вставних інструментів, зігрівання рук, організація робочих процесів.

⚠ ПОПЕРЕДЖЕННЯ Ознайомтеся з усіма вказівками щодо техніки безпеки, інструкціями, ілюстраціями та відомостями, що було надано разом із приладом. Недотримання наведених далі інструкцій може спричинити ураження електричним струмом, пожежу та/або тяжкі травми. **Зберігайте всі вказівки з техніки безпеки та інструкції на майбутнє.**

⚠ ВКАЗІВКИ З ТЕХНІКИ БЕЗПЕКИ ДЛЯ ДРИЛІВ

1) Інструкції з техніки безпеки для всіх операцій

а) Використовуйте засоби захисту органів слуху при ударному свердлінні. Вплив шуму може спричинити втрату слуху.

б) Використуйте допоміжний привід (допоміжні приводи). Втрата контролю може призвести до пошкоджень.

с) Під час виконання робіт тримайте електроінструмент за ізольовані поверхні рукояток, якщо вставний інструмент може натрапити на приховані електричні лінії або власний мережевий кабель. Контакт з лінією під напругою може призвести до появи напруги в металевих частинах приладу та до ураження електричним струмом.

2) Інструкція безпеки при застосуванні довгих свердл

а) Ніколи не застосовувати на швидкості вищій, ніж максимальна швидкість ротації свердла. На високій швидкості свердло може погнутися швидше при безконтактній ротації, ніж при контакті з поверхнею, і це може призвести до поранень.

б) Завжди починайте свердління на низькій швидкості та зі свердлом, що торкається робочій поверхні. На високій швидкості свердло може погнутися швидше при безконтактній ротації, ніж при контакті з поверхнею, і це може призвести до поранень.

с) Натискайте лише по прямій лінії свердла та не тисніть занадто сильно. Свердла можуть гнутися, що спричиняє поломку або втрату контролю та призводить до поранень.

Додаткові інструкції з техніки безпеки та експлуатації

Використовуйте індивідуальні засоби захисту. Під час роботи з машиною завжди носити захисні окуляри. Радимо використовувати захисний одяг, як наприклад маску для захисту від пилу, захисні рукавиці, міцне та нековзне взуття, каску та засоби захисту органів слуху.

З'єднувальний кабель завжди тримати за межами радіуса дії машини. Вести кабель завжди позаду машини.

Не можна обробляти матеріали, небезпечні для здоров'я (наприклад, азбест).

Під час роботи на стінах, стелях або підлозі звертати увагу на електричні кабелі, газові та водопровідні лінії.

Зафіксувати заготовку в затискному пристрої. Незакріплені заготовки можуть привести до тяжких травм та пошкоджень.

При роботі з алмазною свердильною коронкою вимкнути ударний механізм.

При блокуванні вставного інструменту негайно вимкнути прилад! Не вмикайте прилад, якщо вставний інструмент заблокований; при цьому може виникати віддача з високим зворотнім моментом. Визначити та усунути причину блокування вставного інструменту з урахуванням вказівок з техніки безпеки.

Причиною може бути:

- Перекіс в заготовці, що обробляється
- Пробивання оброблюваного матеріалу
- Перевантаження електроінструмента

Частини тіла не повинні потрапляти в машину, коли вона працює.

Вставний інструмент може нагріватися під час роботи. **ПОПЕРЕДЖЕННЯ!** Небезпечна опіків

- при заміні інструменту
- при відкладанні приладу

Не можна видаляти стружку або уламки, коли машина працює.

Перед будь-якими роботами на машині витягнути штекер із штепсельної розетки.

ЕКСПЛУАТАЦІЯ

Холодний запуск

Одразу після тривалого зберігання тривалого часу або при низьких температурах інструмент може погано працювати через затвердіння мастила.

Для прогрівання інструменту

1. вставте в інструмент свердло чи долото та зафіксуйте його.

2. Натисніть кнопку запуску та втисніть долото чи свердло в бетонну або дерев'яну поверхню на кілька секунд. Відпустіть кнопку запуску.

3. Повторітьте, доки інструмент не почне здійснювати ударні рухи. Що холоднішим є інструмент, то довше він прогріватиметься.

ВИКОРИСТАННЯ ЗА ПРИЗНАЧЕННЯМ

Ударний дріль можна використовувати універсально для свердління та ударного свердління.

СЕРТИФІКАТ ВІДПОВІДНОСТІ ВИМОГАМ ЄС

Ми заявляємо на власну відповідальність, що виріб, описаний в „Технічних даних“, відповідає всім застосовним положенням директиви 2011/65/EU (RoHS) 2006/42/EC 2014/30/EU та наступним гармонізованим нормативним документам:

EN 62841-1:2015
EN 62841-2-1:2018+A11:2019
EN 55014-1:2017+A11:2020
EN 55014-2:2015
EN 61000-3-2:2014
EN 61000-3-3:2013
EN IEC 63000:2018



Winnenden, 2020-11-27

Alexander Krug / Managing Director
Уповноважений із складання технічної документації.

Techtronic Industries GmbH
Max-Eyth-Straße 10, 71364 Winnenden, Germany



ПІДКЛЮЧЕННЯ ДО МЕРЕЖІ

Штепсельні розетки за межами приміщень та на вологих ділянках повинні бути оснащені автоматичним запобіжним вимикачем, який спрацьовує при появі струму витoku (FI, RCD, PRCD). Для цього необхідні монтажні інструкції для вашої електричної системи. Майте це на увазі при користуванні нашим приладом.

Підключати лише до однофазного змінного струму і напруги мережі, які вказані на фірмовій табличці з паспортними даними. Можливе підключення також до штепсельних розеток без захисного контакту, адже конструкція має клас захисту II. Під'єднати машину до штепсельної розетки тільки в вимкненому стані.

ОБСЛУГОВУВАННЯ

Завжди підтримувати чистоту вентиляційних отворів.

Якщо часто використовується режим ударного свердління, свердильний патрон необхідно регулярно чистити від пилу. Для цього тримати машину патроном вертикально донизу та повністю відкривати та закривати свердильний патрон. Так накопичений пил випадає з патрону. Радимо регулярно використовувати спрей для чищення на затискних кулачках та отворах для затискних кулачків.

Якщо потребується заміна шнура живлення, для уникнення небезпеки вона повинна виконуватися виробником або його представником.

Використовувати тільки комплектуючі та запчастини Milwaukee. Деталі, заміна яких не описується, замінювати тільки в відділі обслуговування клієнтів Milwaukee (зверніть увагу на брошуру „Гарантія / адреси сервісних центрів“).

У разі необхідності можна запросити креслення з зображенням вузлів машини в перспективному вигляді, для цього потрібно звернутися в ваш відділ обслуговування клієнтів або безпосередньо в Techtronic Industries GmbH, Max-Eyth-Straße 10, 71364 Winnenden, Німеччина, та вказати тип машини та шестизначний номер на фірмовій табличці з даними машини.

СИМВОЛИ



УВАГА! ПОПЕРЕДЖЕННЯ! НЕБЕЗПЕЧНО!



Перед будь-якими роботами на машині витягнути штекер із штепсельної розетки.



Уважно прочитайте інструкцію з експлуатації перед введенням приладу в дію.



Комплектуючі - не входять в обсяг постачання, рекомендовані доповнення з програми комплектуючих.



Електроінструмент класу захисту II. Електроінструмент, в якому захист від враження електричним струмом залежить не лише від базової ізоляції, але й від використовуваних додаткових засобів захисту, таких як подвійна ізоляція або посилена ізоляція.

n₀

Кількість обертів холостого ходу

V

Напруга



Змінний струм



Електричні прилади не можна утилізувати з побутовими відходами. Електричні та електронні прилади необхідно збирати окремо та здавати в спеціалізовані підприємства для утилізації, що не шкодить навколишньому середовищу. Зверніться до місцевих органів або до вашого дилера, щоб отримати адреси пунктів вторинної переробки та пунктів прийому.



Європейський знак відповідності



Британський знак відповідності



Український знак відповідності



Євразійський знак відповідності



يجب أن تكون فتحات تهوية الجهاز نظيفة طوال الوقت.

إذا كانت الآلة تستخدم بشكل أساسي في الحفر الدقاق، اعمل على إزالة الأتربة المترابكة من الظرف دورياً. لإزالة الأتربة، امسك الآلة بحيث يكون الظرف موجهاً إلى الأسفل بشكل عمودي، ثم افتح الظرف بشكل كامل واغلقه. سوف تسقط الأتربة المترابكة من الظرف. ينصح باستخدام المنظف دورياً لتنظيف فكوك التثبيت وخرائط فكوك التثبيت.

إذا كان من الضروري استبدال السلك الكهربائي يجب أن يتم ذلك بمعرفة الشركة المصنعة أو وكيلها لتجنب أية مخاطر تهدد السلامة.

استخدم فقط ملحقات ميلوكي وكذلك قطع غيار ميلوكي. إذا كانت المكونات التي يجب تغييرها غير مذكورة، يرجى الاتصال بأحد عملاء صيانة ميلوكي (انظر قائمة عناوين الضمان/الصيانة الخاصة بنا).

عند الحاجة يمكن طلب رمز انفجار الجهاز بعد ذكر طراز الآلة والرقم السداسي المذكور على بطاقة طاقة الآلة لدى جهة خدمة العملاء أو مباشرة لدى شركة

Technich Industries GmbH
Max-Eyth-Straße 10
71364 Winnenden
ألمانيا



تنبيه! تحذير! خطر!



افصل دائما القابس عن المقبس قبل تنفيذ أي عمل بالجهاز.



يرجى قراءة التعليمات بعناية قبل بدء تشغيل الجهاز.



الملحق - ليس مدرجاً كمعدة قياسية، متوفر كملحق.



أداة كهربائية ذات درجة حماية 2 أداة كهربائية لا تتوقف الحماية فيها من الصعق الكهربائي ليس فقط على العزل الأساسي، بل أيضاً على إجراءات الحماية الإضافية، مثل العزل المزدوج أو العزل المقوى.

أقصى سرعة دون وجود حمل n_0

وحدات الفولت V

التيار المتردد

يحظر التخلص من الأجهزة الكهربائية في القمامة المنزلية. يجب جمع الأجهزة الكهربائية والإلكترونية منفصلة وتسليمها للتخلص منها بشكل لا يضر بالبيئة لدى شركة إعادة استغلال. الرجاء الاستفسار لدى الهيئات المحلية أو لدى التجار المتخصصين عن مواقع إعادة الاستغلال ومواقع الجمع.



علامة التوافق الأوروبية



علامة التوافق البريطانية



علامة التوافق الأوكرانية



001

علامة التوافق الأوروبية الآسيوية



الأداة المستخدمة قد تسخن خلال الاستخدام.
تحذيراً هناك خطر الإصابة بحروق
• عند استبدال الأداة
• عند وضع الجهاز
لا يجب إزالة النشارة والشظايا أثناء تشغيل الآلة.
افصل دائماً القابس عن المقبس قبل تنفيذ أي عمل بالجهاز.

⚠ تحذير اقرأ جميع تعليمات السلامة والإرشادات والشروح والبيانات المرفقة مع الجهاز. قد يؤدي عدم مراعاة التعليمات المدرجة أدناه إلى التعرض للإصابة بصدمة كهربائية أو الحرق أو/أو إصابة خطيرة.
احتفظ بجميع التنبيهات والتعليمات للرجوع إليها مستقبلاً.

⚠ تحذيرات السلامة عند استخدام المثقب

التشغيل

بدء التشغيل البارد

إذا خُزنت هذه الأداة لفترة زمنية طويلة أو في درجات حرارة باردة، فربما لا تشترع في الطرق في البداية لأن التشحيم أصبح صلباً.

من أجل إحماء الأداة

1. قم بإدخال وتأمين قفل لقمة أو إزميل في الأداة.
2. اجذب زر الإطلاق وقم ببذل بعض القوة على اللقمة أو الإزميل على سطح خرساني أو خشبي لضغطه.
3. كرر ذلك حتى تبدأ الأداة في الطرق. كلما كانت الأداة باردة، طال الوقت الذي تستغرقه من أجل الإحماء.

شروط الاستخدام المحددة

يمكن استخدام المثقاب/مفك المسامير عموماً في الحفر والحفر الدقاق.

إعلان المطابقة - الاتحاد الأوروبي

نعلن تحت مسؤوليتنا وحننا أن المنتج المعين تحت اسم «البيانات الفنية» يستوفي جميع الأحكام ذات الصلة ضمن التوجيهات
2011/65/EU (RoHS)
2006/42/EG
2014/30/EU
والمعايير المتسقة التالية

EN 62841-1:2015
EN 62841-2-1:2018
EN 55014-1:2017+A11:2020
EN 55014-2:2015
EN 61000-3-2:2014
EN 61000-3-3:2013
EN IEC 63000:2018



Winnenden, 2020-11-27

Alexander Krug

Alexander Krug / Managing Director
معتمة للمطابقة مع الملف الفني

Techtronic Industries GmbH
Max-Eyth-Straße 10, 71364 Winnenden,
Germany

توصيل الموصلات الرئيسية

يجب تزويد القوابس في الغرف الرطبة وفي الأماكن الخارجية بأزرار حماية ضد تيار العطل (FI, RCD, PRCD). هذا يتطلب تعليمات التركيب الخاصة بجهازك. الرجاء مراعاة ذلك عند استخدام جهازنا.

قم بالتوصيل بتيار متردد أحادي الطور وبنظام الجهد الكهربائي المحدد على لوحة الجهد المقنن فقط. يمكن أيضاً التوصيل بالمقاييس غير المؤرّضة حيث ينطبق التصميم مع معايير سلامة الفئة الثانية لحماية الأجهزة الكهربائية.
يتم توصيل القابض فقط عندما تكون الآلة مطفاة.

1) تعليمات السلامة لكل العمليات

- (a) د و أقيات الأذن عند استخدام المثقب.** ارتد قد يسبب التعرض للضوضاء إلى فقدان السمع.
- (b) استخدم المقبض (المقابض) المساعد(ة).** ا قد يسبب فقدان السيطرة حدوث إصابة شخصية.
- (c) امسك الآلة الكهربائية من اسطح المقبض المعزولة فقط، وذلك عند القيام بعملية قد يلمس فيها أحد ملحقات آلة القطع أسلاك مخفية أو السلك الخاص بها.** تتسبب ملامسة أحد ملحقات آلة القطع بسلك كهربائي، «موصلة» في جعل الأجزاء المعدنية المشكوفة بالآلة الكهربائية، «موصلة» كهربائياً مما يجعل المشغّل عرضة لصدمة كهربائية.

2) تعليمات السلامة عند استخدام ريش الحفر الطويلة

- (a) لا تعمل أبداً بسرعة أعلى من السرعة القصوى لريشة الحفر.** عند السرعات العالية، من المحتمل أن تنحني الريشة إذا تم السماح لها بالتناوب بحرية دون الاتصال بقطعة الشغل، ما قد يؤدي إلى إصابة شخصية.
- (b) أبداً دائماً في الحفر بسرعة منخفضة وباستخدام طرف الريشة في اتصال مع قطعة الشغل.** عند السرعات العالية، من المحتمل أن تنحني الريشة إذا تم السماح لها بالتناوب بحرية دون الاتصال بقطعة الشغل، ما قد يؤدي إلى إصابة شخصية.
- (c) تطبق الضغط فقط في خط مباشر مع الريشة ولا تطبق ضغطاً مفرطاً.** يمكن أن تنحني الريشة مسببة كسر أو فقدان السيطرة، ما قد يؤدي إلى إصابة شخصية.

إرشادات أمان وعمل إضافية

استخدم معدة الوقاية ارتد دائماً نظارة الوقاية عند العمل بالآلة. ينصح باستخدام الملابس الواقية مثل الكمامات الواقية من الغبار، والقفازات، والأحذية القوية غير المنزلقة، والخوذات، وواقيات الأذن.

ابق السلك الرئيسي بعيداً عن نطاق عمل الجهاز. ابق دائماً السلك بعيداً عنك أو خلفك.

لا يجوز استخدام مواد ينجم عنها أضرار على الصحة (حجري صخري).

عند العمل في سقف الحوائط أو الأرضية، توخ الحذر وتجنب الكابلات الكهربائية وأنابيب الغاز أو المياه.

قم بتأمين القطعة المستخدمة من المواد في تجهيز تثبيت القطع المستخدمة من المواد الغير مرمنة يمكن أن تسبب في إصابات وأضرار حادة.

لا تستخدم المثقاب ذو القلب المعين الشكل في وضع التّق.

الرجاء إيقاف تشغيل الجهاز على الفور في حالة عرقلة أداة الاستعمال! لا تتم بتشغيل الجهاز مرة أخرى، طالما أن الأداة المستعملة أزالّت في حالة عرقلة؛ حيث يمكن أن يحدث هنا إرتداد عكسي مصحوب بقوة رد فعل عالية. قم بالبحث وإزالة أسباب عرقلة أداة الاستعمال مع مراعاة تعليمات الأمان.

- الأسباب الممكنة لذلك يمكن أن تكون هي:
- أحماد في القطعة المخصصة للاستعمال
 - إنكسار المواد المستخدمة.
 - زيادة الحمل على الآلة الكهربائية

لا تلامس بيدك الماكينة أثناء دورانها.

PD2E 24 R (220-240 V)	PD2E 22 R (220-240 V)	البيانات الفنية مفتوح
4195 96 03... ... 000001- 999999	4195 71 03... ... 000001- 999999	إنتاج عدد
1020 W	850 W	الدخل المقدر
540 W	460 W	الخروج
0-1000 min ⁻¹	0-1000 min ⁻¹	أقصى سرعة دون وجود حمل، السرعة الأولى
0-3200 min ⁻¹	0-3200 min ⁻¹	أقصى سرعة دون وجود حمل، السرعة الثانية
0-680 min ⁻¹	0-680 min ⁻¹	السرعة عند أقصى حمل الحد الأقصى، السرعة الأولى
0-2100 min ⁻¹	0-2100 min ⁻¹	السرعة عند أقصى حمل الحد الأقصى، السرعة الثانية
40 000 min ⁻¹	40 000 min ⁻¹	معدل الحفر بالدق تحت الحمل الحد الأقصى
60/33 Nm	56/30 Nm	لحظة التشويش لاستاتيكي**
22 mm	20 mm	قدرة الحفر في الخرسانة
24 mm	22 mm	قدرة الحفر في الطوب والبلاط
16 mm	13 mm	قدرة الحفر في معدني
40 mm	40 mm	قدرة الحفر في الخشب اللين
1,5-13 mm	1,5-13 mm	نطاق ظرف المثقاب
1/2" x 20	1/2" x 20	ساق التدوير
43 mm	43 mm	قطر عنق الظرف
2,9 kg	2,8 kg	الوزن وفقاً لنهج EPTA رقم 01/2014
معلومات الضوضاء		
القيم التي تم قياسها محددة وفقاً للمعايير الأوروبية EN 62841 مستويات ضوضاء الجهاز، ترجيحاً بشكل نموذجي كالتالي:		
96 dB (A) 107 dB (A)	98 dB (A) 109 dB (A)	مستوى ضغط الصوت (الارتياح في القياس = 3 ديسيبل (أ)) مستوى شدة الصوت (الارتياح في القياس = 3 ديسيبل (أ)) ارتد وإقيات الأذن!
معلومات الاهتزاز		
قيم الذبذبات الإجمالي (مجموع الكميات الموجهة في المحاور الثلاثة) محددة وفقاً للمعايير الأوروبية EN 62841.		
10,0 m/s ² 1,5 m/s ²	7,6 m/s ² 1,5 m/s ²	ثقب المعادن قيمة انبعاث الذبذبات a _{h,d} الارتياح في القياس الحفر الدقائق في الخرسانة
17,8 m/s ² 1,5 m/s ²	17,1 m/s ² 1,5 m/s ²	قيمة انبعاث الذبذبات a _{h, id} الارتياح في القياس

* تم قياسه وفقاً لمعيار Milwaukee N 877318

تحذير!

تم قياس مستوى انبعاث الذبذبات الموجود بوثيقة المعلومات هذه وفقاً للاختبار القياسي وفقاً للمعايير الأوروبية EN 62841 ويمكن استخدامه لمقارنة جهاز بغيره. كما يمكن استخدامه لعرض تقييم تمهيدي. يمثل مستوى انبعاث الذبذبات المعلن عنه تطبيقات الجهاز الرئيسية. بالرغم من ذلك، فإنه إذا ما تم استخدام الجهاز لتطبيقات مختلفة، بملحقات مختلفة أو لم يتم المحافظة عليه، فقد يختلف انبعاث الذبذبات. قد يزيد ذلك بصورة كبيرة من مستوى التعرض للذبذبات طوال فترة العمل الإجمالية. يجب الوضع في الاعتبار عند تقدير مستوى التعرض للذبذبات مرات إيقاف الجهاز أو تشغيله لكن دون استخدامه في القيام بمهمة. فقد يقل ذلك بصورة كبيرة من مستوى التعرض للذبذبات طوال فترة العمل الإجمالية. تعرف على معايير السلامة الإضافية لحماية المشغل من آثار الذبذبات مثل: صيانة الجهاز والملحقات، الحفاظ على دفاء الأيدي، وتنظيم نماذج العمل.

Copyright 2021
Techtronic Industries GmbH
Max-Eyth-Straße 10
71364 Winnenden
Germany
+49 (0) 7195-12-0
www.milwaukeeetool.eu

Techtronic Industries (UK) Ltd
Parkway
Marlow, SL7 1YL
UK



**EAC UK
CA**

(12.21)

4931 4250 56