

INSTRUCTIONS CM392C

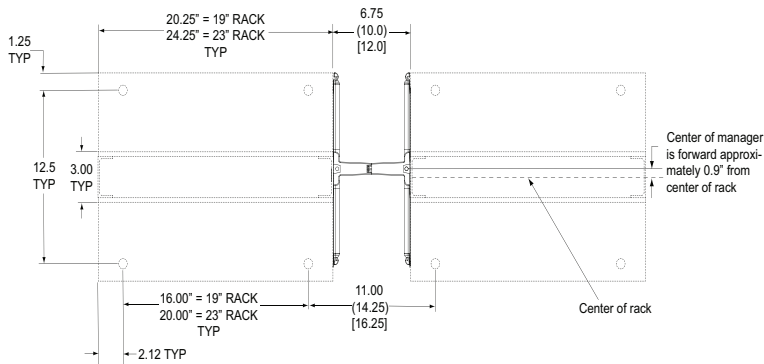
© Panduit Corp. 2009

PART NUMBERS

VERTICAL CABLE MANAGEMENT		Mounting Kits	Racks				Doors
Front/Rear	Front Only						
		NRVCB	CMR19X47 CMR19X84S	CMR19X84 3" Deep R2P Series of 2 Post Racks	CMR23X84	CMR19X84NU	
NRV6 NRV10 NRV12	NRVF6 NRVF10 NRVF12	NRVCB or WMPVSMK	NFR84 CMR4P84D23 R4P R4P36	CMR4P84 CMR4P84D23CN R4PCN R4P36CN	CMR4P84CN CMR4P84D23NU R4P23 R4P42	CMR4P84NU CMR4P84D23CNNU R4P23CN R4P42CN	NRD6 NRD10 NRD12

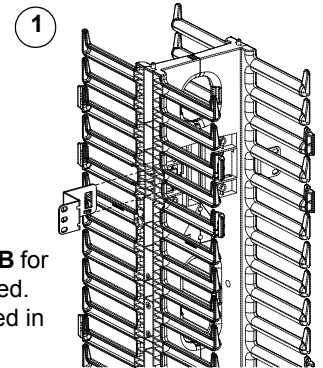
Location Guide for Center Mounting (CMR19X84 with NRVCB)

Dimensions in (...) parenthesis are for 10" Vertical Cable Management
Dimensions in [...] brackets are for 12" Vertical Cable Management

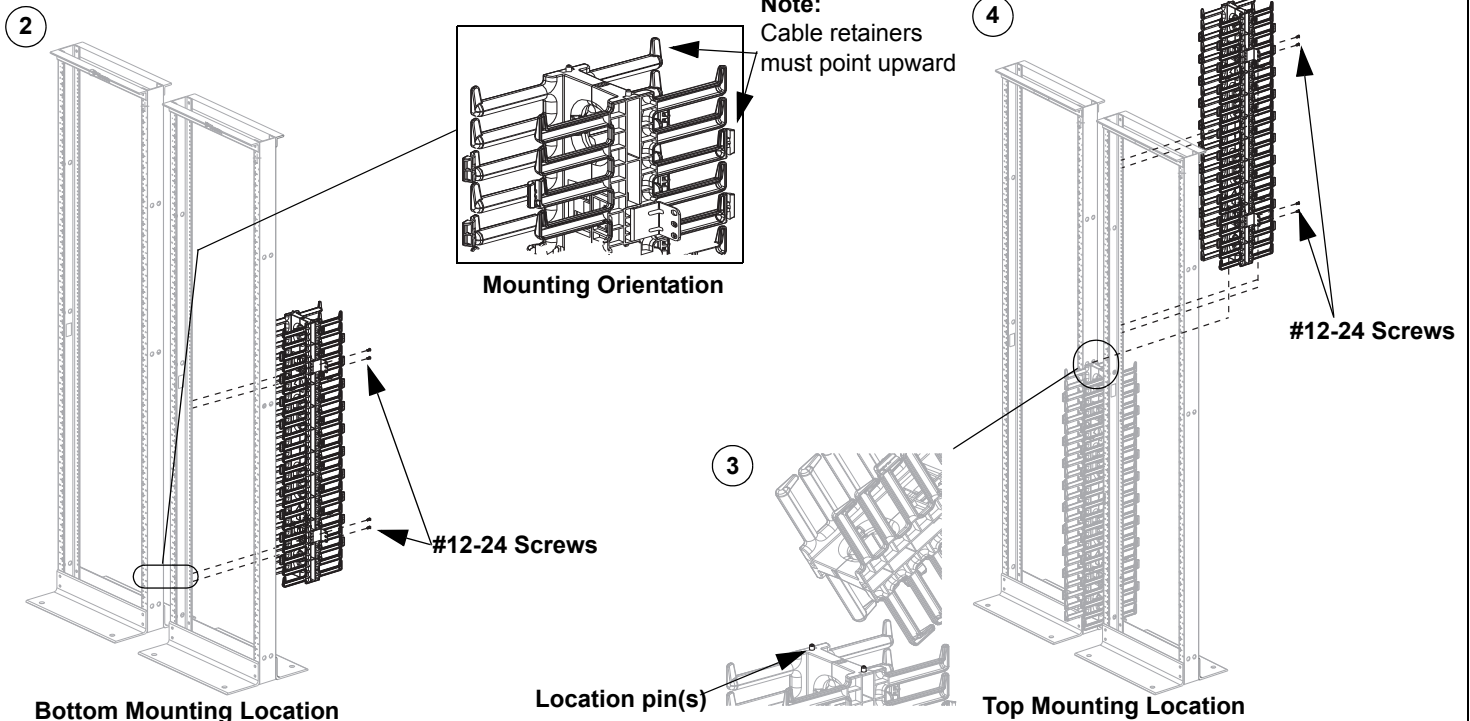


Bracket Installation

Note:
When installing between two racks use part number **NRVCB** for the additional brackets required. Bracket is keyed to be installed in the correct orientation.

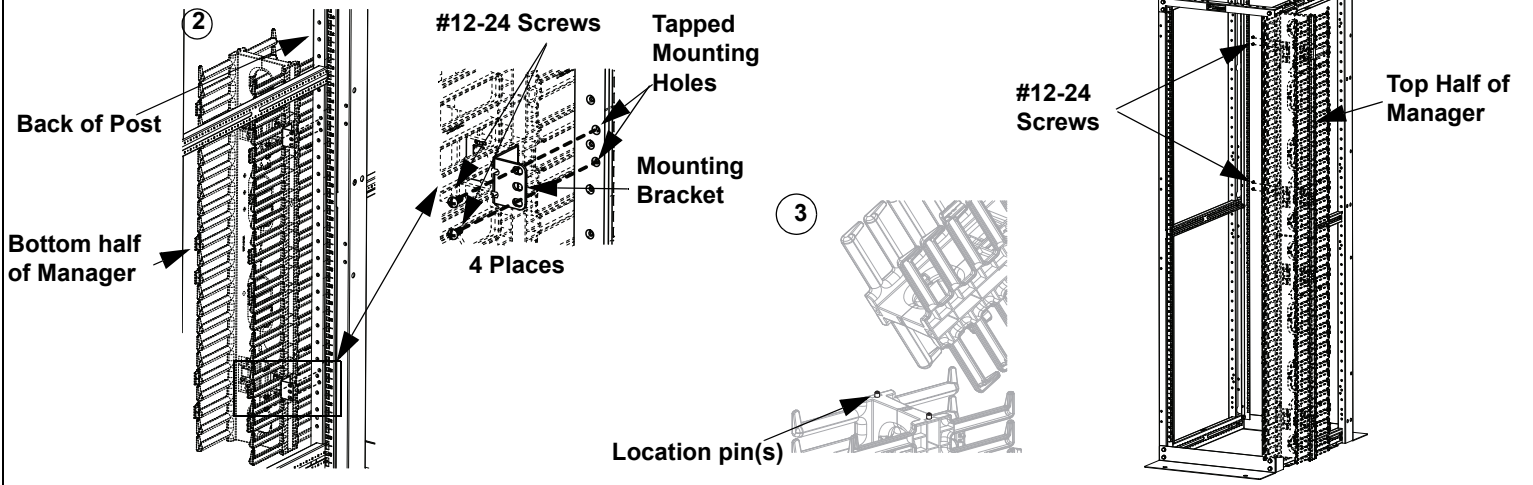


Standard Rack Installation



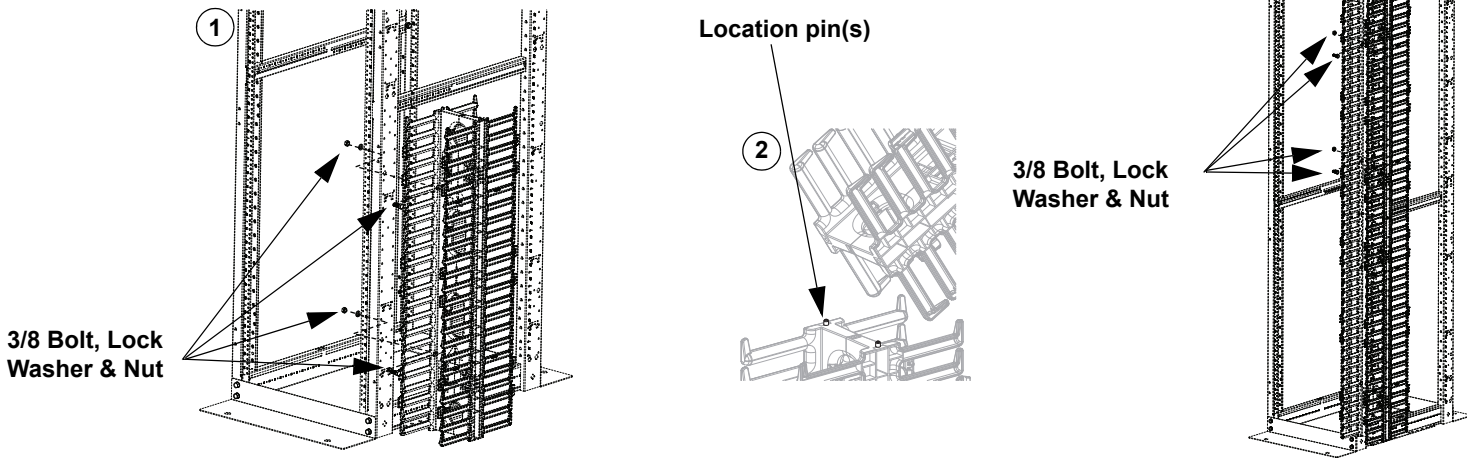
INSTRUCTIONS CM392C

4-Post Rack Installation using Brackets. Note: Step 1 is the same as for the Standard Rack.



Installation Instructions NFR84 and 4-Post Racks using WMPVSMK side mounting kit

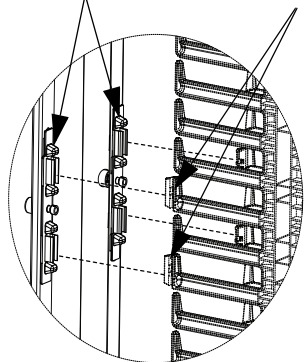
Note: Mount the racks to the floor.



Opening and Closing Cover

Door Latches

Door Finger Tabs



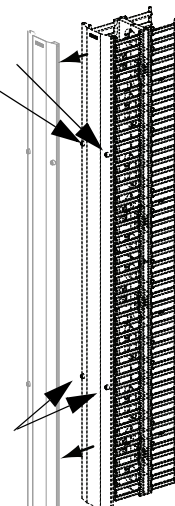
To open, grasp back of door and push top button with thumb. Repeat with bottom button.



To close, grasp cable retainers and door until latched

Top Latch Buttons

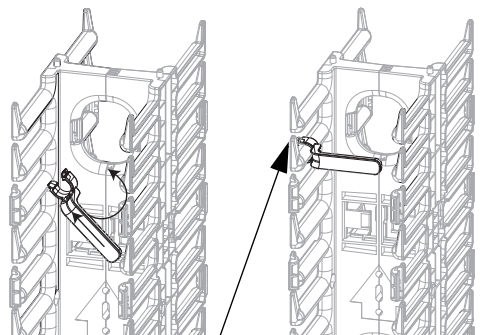
Bottom Latch Buttons



Removal

To remove door, press bottom latches first, then press top latch buttons while holding door

Wire Retainer Installation (WR5E)



Use thumb to release wire retainer for removal

For instructions in Local Languages and Technical Support:

www.panduit.com/resources/install_maintain.asp

PANDUIT[®]

www.panduit.com

E-mail: cs@panduit.com
 Fax: (708)444-6448