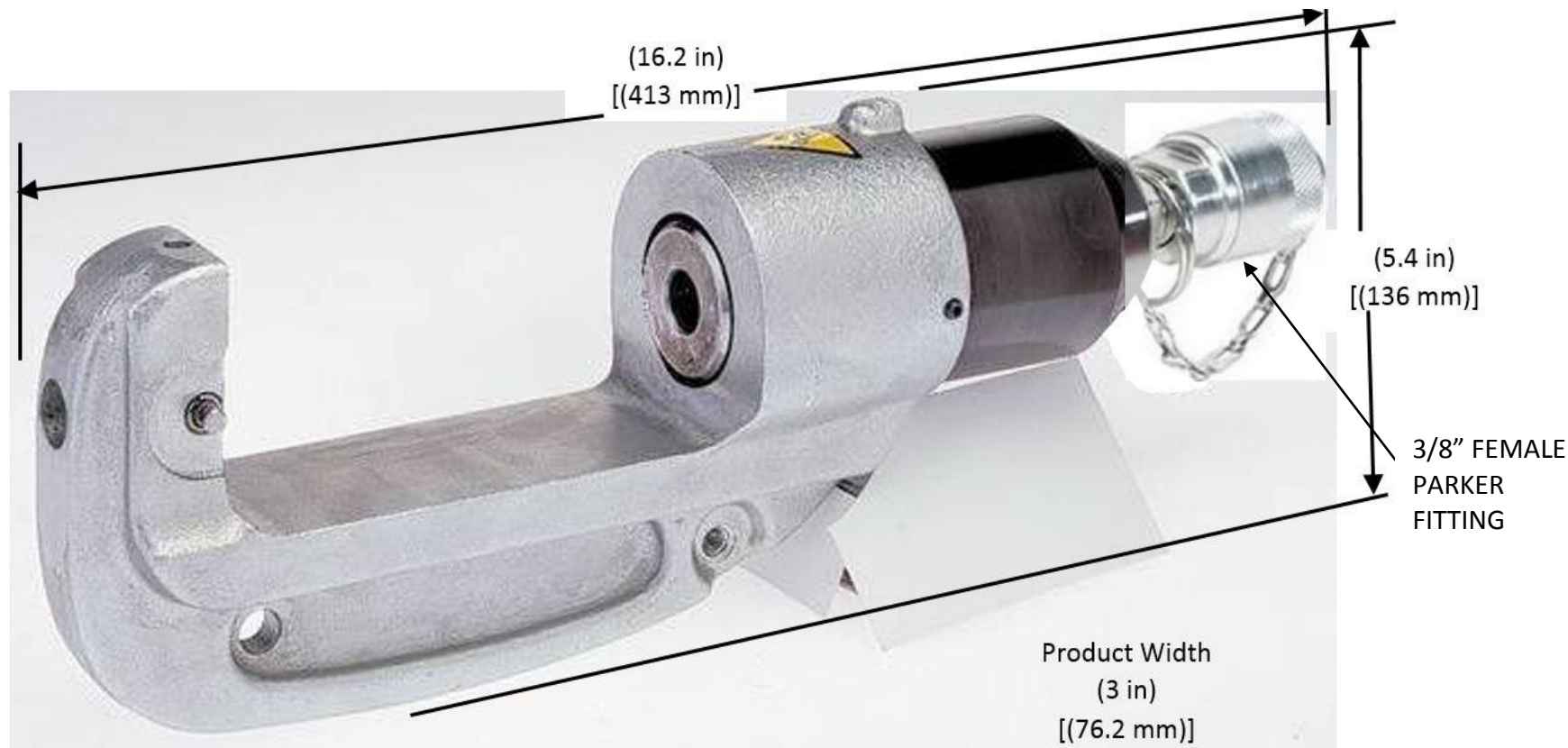


THIS COPY IS PROVIDED ON A RESTRICTED BASIS AND IS NOT TO BE USED IN ANY WAY DETRIMENTAL TO THE INTERESTS OF PANDUIT CORP.



CT-940CH
CRIMP HEAD TOOL



NOTES, UNLESS OTHERWISE SPECIFIED:

The CT-940 Hydraulic Crimping Head Tool is designed to crimp:

- Crimps Panduit Copper and Aluminum compression connectors using Panduit Crimping Dies. Go to www.panduit.com for information.

The CT-940 Tool includes:

Qty.	Description / Item
1	Hydraulic Crimp Head Tool
1	CD-940-DAPT Die Adapter Set
1	Carrying Bag

Technical Information:

Tool Weight	13.7 lbs. (6.2 kg)
Dimensions	16.2" L x 5.4" H x 3" W [413 L x 136 H x 76 W] mm
Crimping Force	15.2 tons (135 kN)

Tools are to be used with Panduit hydraulic pump, hoses, accessories, and crimp dies, and are sold separately. Go to www.panduit.com for more information.

Copy of the operation manual and accessory information can be found at: www.panduit.com.

Dimensions in [brackets] are in millimeters. All dimensions are for reference only.

REV	DATE	BY	CHK	APR	DESCRIPTION	ECN	CT-940CH				SIZE	
							CUSTOMER DRAWING					
							ITEM REVISION NAME:		00084SLQ_DC/00		PANDUIT	
							UNLESS OTHERWISE SPECIFIED, DIMENSIONAL TOLERANCES ARE:		MATERIAL:			
							(.x) ± --- (.xxx) ± --- (.xx) ± --- ANGLES ± ---		DRAWING NUMBER:			
							THIRD ANGLE PROJECTION		00084SLQ_DC			
							DRAWN BY:	DATE:	CHK	SCALE	SHT 1 OF 1	B
							BKA	7-21-16	ACC	NONE		
01	12-20-16	ACC	BJPU	JADE	PARKER FITTING WAS MALE. UPDATED OVERALL LENGTH	011185						
00	7-29-16	BKA	ACC	JADE	DRAWING RELEASED	010062						