



## YN2X18-020EG1MRJA8

Industrial Ethernet cables and fieldbus cables

PLUG CONNECTORS AND CABLES

**SICK**  
Sensor Intelligence.



### Ordering information

Type	Part no.
YN2X18-020EG1MRJA8	2094783

Other models and accessories → [www.sick.com/Industrial\\_Ethernet\\_cables\\_and\\_fieldbus\\_cables](http://www.sick.com/Industrial_Ethernet_cables_and_fieldbus_cables)

### Detailed technical data

#### Technical specifications

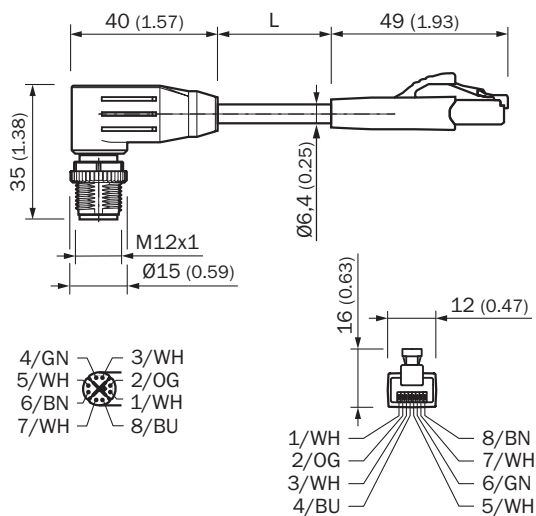
<b>Accessory group</b>	Plug connectors and cables				
<b>Accessory family</b>	Connection cables				
<b>Connection type head A</b>	Male connector, M12, 8-pin, angled, X-coded				
<b>Connection type head B</b>	Male connector, RJ45, 8-pin, straight				
<b>Locking plug connector</b>	Screw-on connection (M12), snap-in locking (RJ45)				
<b>Connector material</b>	TPU				
<b>Connector color</b>	Black				
<b>Locking nut material</b>	CuZn, nickel-plated brass				
<b>Tightening torque</b>	0.6 Nm				
<b>Width across flats</b>	13				
<b>Cable</b>	2 m, 8-wire, AWG26, PUR, halogen-free				
<b>Jacket material</b>	PUR, halogen-free				
<b>Jacket color</b>	Green				
<b>Cable diameter</b>	6.4 mm				
<b>Conductor cross section</b>	0,14 mm <sup>2</sup>				
<b>Shielding</b>	Shielded				
<b>Bending radius</b>	<table border="0"> <tr> <td style="padding-right: 20px;">Flexible use</td> <td>&gt; 10 x cable diameter</td> </tr> <tr> <td>Stationary position</td> <td>&gt; 8 x cable diameter</td> </tr> </table>	Flexible use	> 10 x cable diameter	Stationary position	> 8 x cable diameter
Flexible use	> 10 x cable diameter				
Stationary position	> 8 x cable diameter				
<b>Rated impulse voltage</b>	1 kV				
<b>Current loading</b>	0.5 A				
<b>Signal type</b>	Ethernet, Gigabit Ethernet				
<b>Transmission characteristics</b>	CAT6A				
<b>Data transmission rate</b>	≤ 10 Gbit/s				
<b>Authorizations</b>	CE UL				
<b>UL File No.</b>	E513908				
<b>Enclosure rating</b>	IP65/ IP67 (M12), IP20 (RJ45)				
<b>Ambient operating temperature</b>	<table border="0"> <tr> <td style="padding-right: 20px;">Stationary position</td> <td>-40 °C ... +80 °C</td> </tr> <tr> <td>Head</td> <td>-25 °C ... +85 °C</td> </tr> </table>	Stationary position	-40 °C ... +80 °C	Head	-25 °C ... +85 °C
Stationary position	-40 °C ... +80 °C				
Head	-25 °C ... +85 °C				
<b>Contamination rating</b>	3				

<b>Insulation resistance</b>	≥ 100 MΩ
<b>Overvoltage category</b>	III
<b>Specific insulation resistance</b>	≤ 30 mΩ

### Classifications

<b>ECLASS 5.0</b>	19030312
<b>ECLASS 5.1.4</b>	19030312
<b>ECLASS 6.0</b>	27060304
<b>ECLASS 6.2</b>	27060304
<b>ECLASS 7.0</b>	27060304
<b>ECLASS 8.0</b>	27060304
<b>ECLASS 8.1</b>	27060304
<b>ECLASS 9.0</b>	27060304
<b>ECLASS 10.0</b>	27060304
<b>ECLASS 11.0</b>	27060304
<b>ECLASS 12.0</b>	27060304
<b>ETIM 5.0</b>	EC000830
<b>ETIM 6.0</b>	EC000830
<b>ETIM 7.0</b>	EC003249
<b>ETIM 8.0</b>	EC003249
<b>UNSPSC 16.0901</b>	26121604

### Dimensional drawing (Dimensions in mm (inch))



- ① White-orange
- ② Orange
- ③ White-green
- ④ Green
- ⑤ White-brown
- ⑥ Brown
- ⑦ White/blue
- ⑧ Blue

## SICK AT A GLANCE

SICK is one of the leading manufacturers of intelligent sensors and sensor solutions for industrial applications. A unique range of products and services creates the perfect basis for controlling processes securely and efficiently, protecting individuals from accidents and preventing damage to the environment.

We have extensive experience in a wide range of industries and understand their processes and requirements. With intelligent sensors, we can deliver exactly what our customers need. In application centers in Europe, Asia and North America, system solutions are tested and optimized in accordance with customer specifications. All this makes us a reliable supplier and development partner.

Comprehensive services complete our offering: SICK LifeTime Services provide support throughout the machine life cycle and ensure safety and productivity.

For us, that is “Sensor Intelligence.”

## WORLDWIDE PRESENCE:

Contacts and other locations –[www.sick.com](http://www.sick.com)