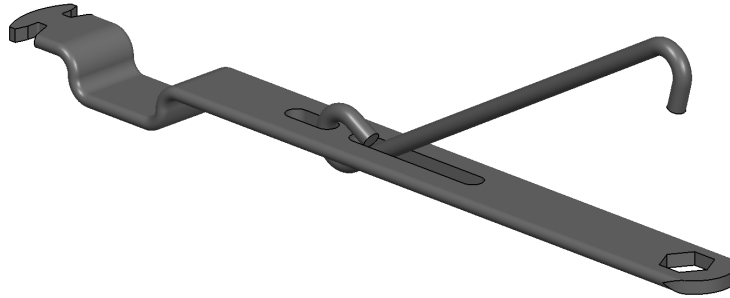
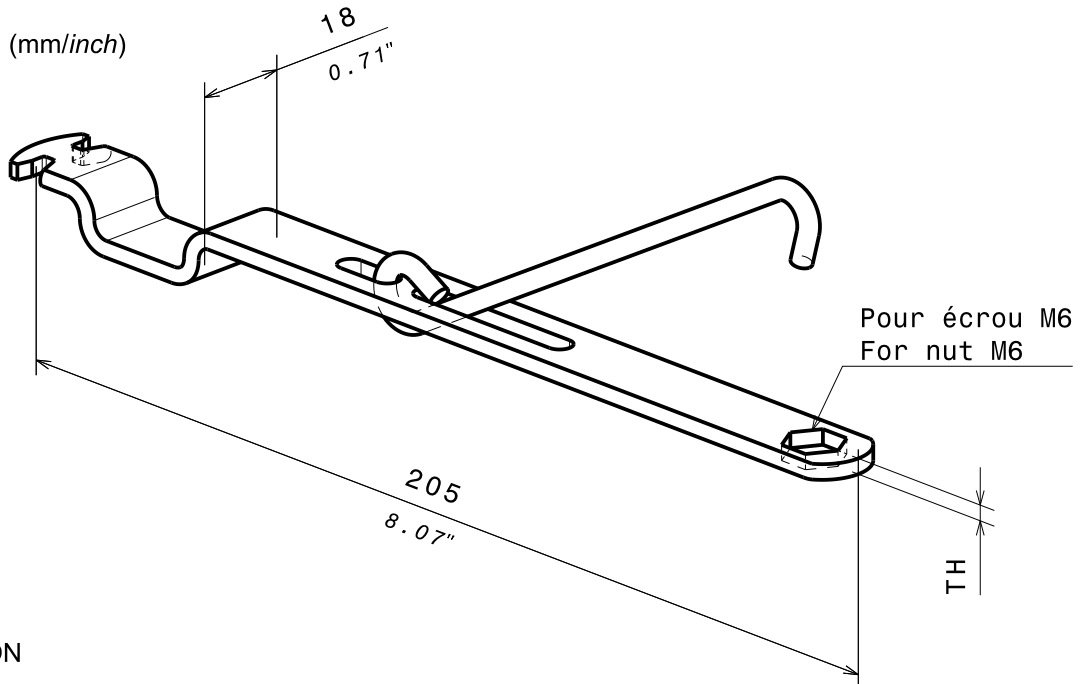


**CLE EDRN
EDRN KEY**

Reference(s) : 558260


1. RANGE

Designation	Code	Poids / Weight (Kg) (lb)		Epaisseur / Thickness (mm) (inch)		Matière / Material	Norme / Standard	Finition / Coating	Norme / Standard
CLE EDRN EZ	558260	0.093	0.205	3	0.12"	C 45E LC	NF EN 10132-1/3	Fe/Zn5/F	Class 1 according to CEI 61537

2. DIMENSIONS (mm/inch)

3. INSTALLATION
