



Panel m. color
glcd mult.,
RS485 + ETH
DMG9000
Three-phase +
neutral + earth

Product designation

Product type designation

Type

Auxiliary supply Us

Auxiliary rated supply voltage AC	VAC	100...240		
Auxiliary rated supply voltage DC	VDC	110...250		
Auxiliary operating voltage range	AC	min	VAC	90
		Max	VAC	264
	DC	min	VDC	100
		Max	VDC	300

Operational frequency

min	Hz	45
max	Hz	66

Power consumption

Max	VA	15
-----	----	----

Power dissipation Max

W	6
---	---

Measuring voltage inputs

Rated voltage (Ue)	phase-phase	VAC	600
	phase-neutral	VAC	347

Operating voltage range

phase-phase	VAC	40...830
phase-neutral	VAC	5...480

Voltage inputs operational frequency

min	Hz	45 and 360
max	Hz	66 and 440

Voltage inputs measurement method

True RMS
Single. Two.
Three-phase with
or without neutral.
Balanced three-
phase system.
Three-phase
ARON.

Connection method

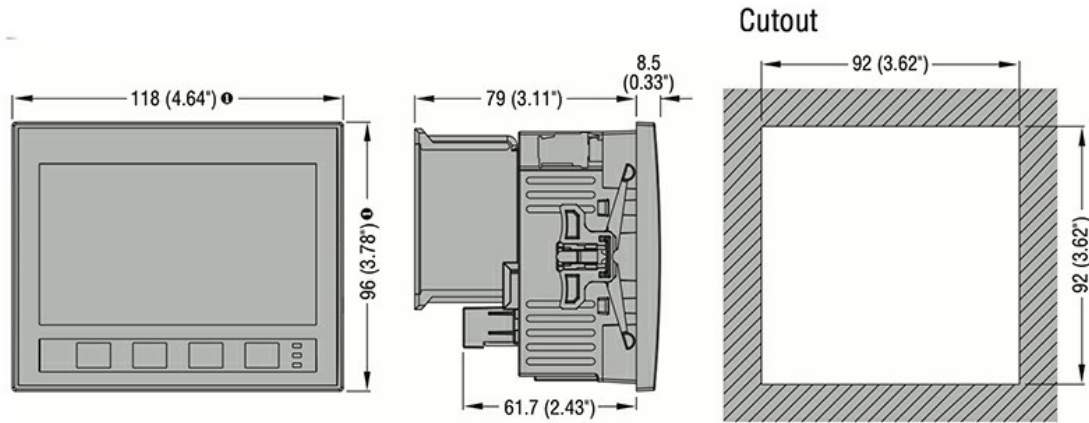
Current inputs

Rated current (Ie)	A	1A/5A
Measurement range		0.004...6
Measurement method		TRMS

Overload capacity			+20% Ie by external CT with 5A secondary
Overload peak	A		120A for 0.5s
Accuracy			
	VLN voltage		Class 0.2 (IEC/EN 61557-12), V:50-480V~
	VLL voltage		Class 0.2 (IEC/EN 61557-12), V:87-830V~
	Current		Class 0.2 (IEC/EN 61557-12), In:5A~
	Frequency		Class 0.02 (IEC/EN 61557-12)
	Active power		Class 0.5 (IEC/EN 61557-12)
	Reactive power		Class 1 (IEC/EN 61557-12)
	Active energy		Class 0.5s (IEC/EN 62053-22)
	Reactive energy		Class 1 (IEC/EN 62053-24)
	THD		Class 5 (IEC/EN 61557-12)
	2nd 15th order harmonics		Class 5 (IEC/EN 61557-12)
Insulations			
Rated insulation voltage Ui IEC/EN	V		600
Rated impulse withstand voltage Uimp	kV		9.6
Operating frequency withstand voltage	kV		5.4
Functions			
Harmonic analysis			63rd order
PLC logic			Yes
Type of communication port			RS485/Ethernet
Ethernet-RS485 gateway function			Yes
Data logging memory			Yes
Neutral/earth current and voltage monitoring			Yes
Statistics of network quality according to EN50160			Yes
EASY BRANCH support			Yes
Mechanical features			
Housing type			Xantar RAL 7035
Terminals type			Removable
Conductor cross section			
	min	mm ²	0.2
	Max	mm ²	2.5
	min	AWG	24
	Max	AWG	12
Tightening torque (Max)			
		Nm	0.5
		lbin	4.5

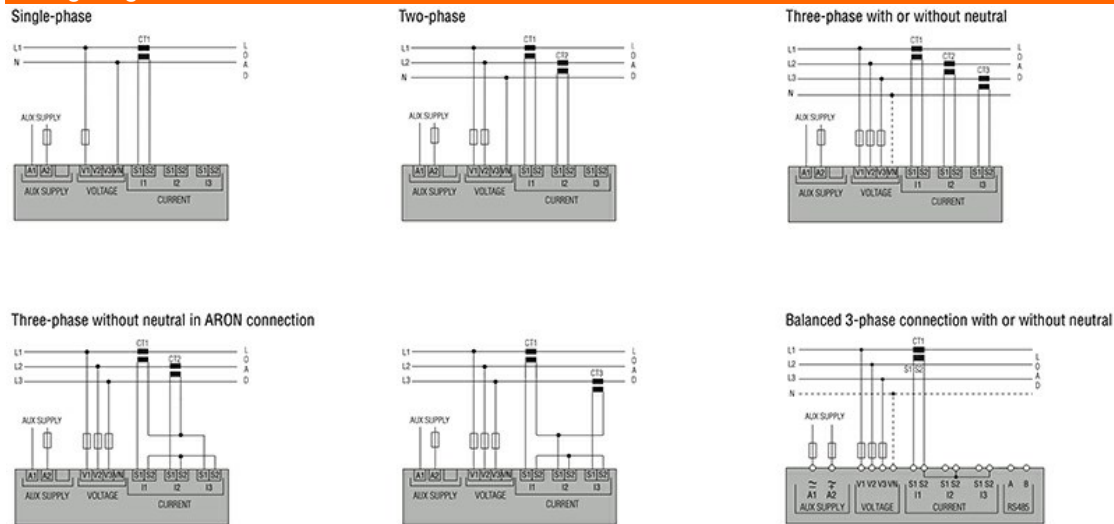
Fixing			Flush-mounting
Weight	g	439	
Ambient conditions			
Temperature	Operating temperature		
	min	°C	-20
	max	°C	+60
	Storage temperature		
	min	°C	-30
	max	°C	+80
Relative humidity			% <80
Maximum Pollution degree			2
Protection degree			IP65

Dimensions



① Dimensions with gasket: 122x100mm/4.80x3.94".

Wiring diagrams



CODE	AUX SUPPLY
DMG100-110-200-210-300	100...240VAC 110...250VDC
DMG6...	100...440VAC 110...250VDC
DMG7000-7500-8000-9000	100...240VAC 110...250VDC

RS485 for DMG110 and DMG210



RS485 for DMG610



RS485 for DMG7500 and DMG9000



Certifications and compliance

Compliance

IEC/EN/BS 61000-6-2

IEC/EN/BS 61000-6-4

POWER ANALYZER WITH WIDESCREEN COLOUR LCD. AUXILIARY SUPPLY 100...240VAC.
EXPANDABLE WITH 3 EXP... MODULES, BUILT-IN RS485 AND ETHERNET PORTS, DATA
MEMORY FOR LOGGING, COMPATIBLE WITH EASY BRANCH POWER MONITORING
SYSTEM

IEC/EN/BS 61010-1

Certificates

CE

EAC

UKCA

ETIM classification

ETIM 8.0

EC002301 -
Multifunction
measuring
instrument