

### INSTALLATION INSTRUCTIONS V00028BV\_01

© Panduit Corp. 2015

#### PART NUMBERS

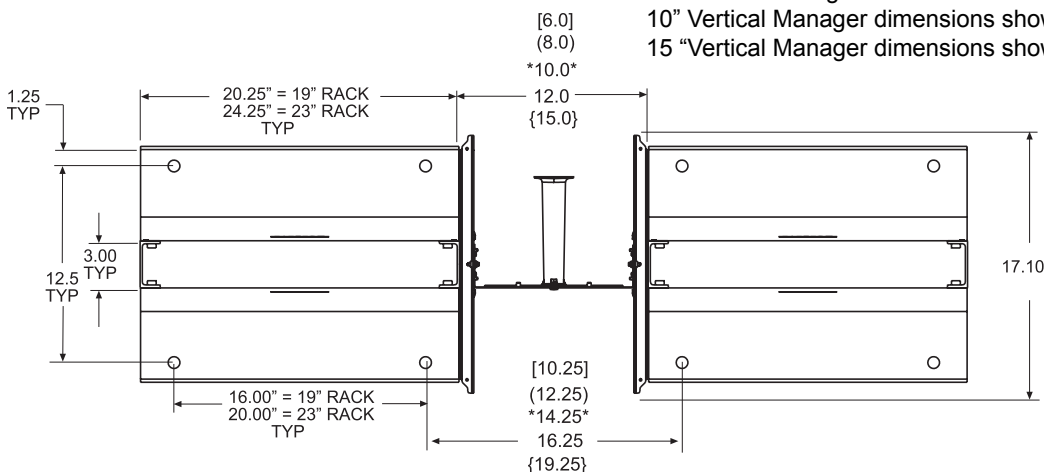
| VERTICAL CABLE MANAGEMENT |              | DUAL HINGED DOORS |
|---------------------------|--------------|-------------------|
| Dual Sided                | Single Sided |                   |
| PRV15                     | PRVF15       | PRD15             |
| PRV12                     | PRVF12       | PRD12             |
| PRV10                     | PRVF10       | PRD10             |
| PRV8                      | PRVF8        | PRD8              |
| PRV6                      | PRVF6        | PRD6              |

All PatchRunner Managers and Dual Hinged Doors are available in 96" tall versions (PRV\*\*96, PRVF\*\*96, and PRD\*\*96) \*\*= 6,8,10,12,or 15 inch wide  
6 inch and 12 inch wide PatchRunner Managers and Dual Hinged Doors are also available in 79" tall versions (PRV679, PRVF679, PRD679, PRV1279, PRVF1279, PRD1279)

#### CONTENTS

- (1) PATCHRUNNER Vertical Cable Manager
- (6) 1/2-13 Hex Nuts
- (6) 1/2-13x2.0" Bolts
- (12) Washers for 1/2-13 bolts
- (4) Spools
- (2) .91 long 1/2-13 Bolt Spacers
- \* Spools sold separately for PRV6 & PRVF6

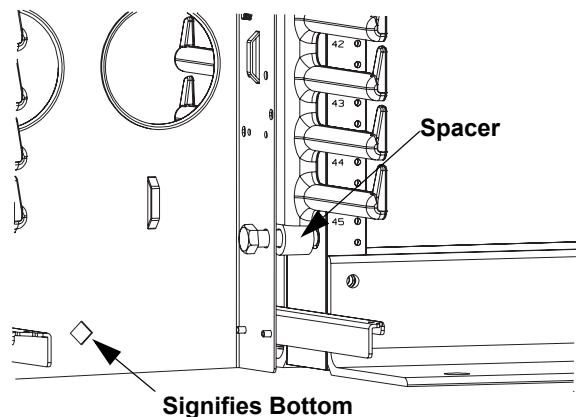
#### LOCATION GUIDE - STANDARD EIA RACK



- 6" Vertical Manager dimension shown in brackets [...]
- 8" Vertical Manager dimensions shown in parenthesis (...)
- 10" Vertical Manager dimensions shown in asterisk \*...\*
- 15" Vertical Manager dimensions shown in brackets {...}

#### Center Mounting of a PATCHRUNNER on Standard EIA Rack

After the first rack is mounted to the floor with the appropriate hardware, **Use Three 1/2-13x2.0" bolts** (supplied with the vertical cable manager panels) to fasten the PATCHRUNNER Vertical Cable Manager to the rack. Next, mount the second rack to the other side of the PATCHRUNNER Vertical Cable Manager using the remaining 1/2-13x2.0" bolts. Then mount the second rack to the floor using the appropriate hardware.



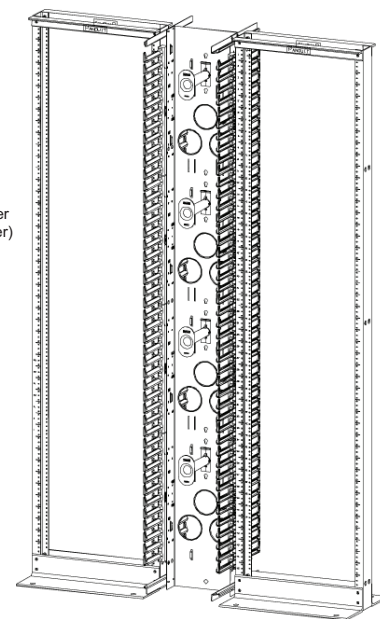
Signifies Bottom

Top Location Bolt  
(For Front Only & Front & Rear Manager)

Middle Location Bolt  
(For Front Only Manager & Front & Rear Manager)

Bottom Location Bolt and Spacer  
(For Front Only Manager)  
Bolt  
(For Front & Rear Manager)

Recommended bolt placement for mounting manager to rack channel.

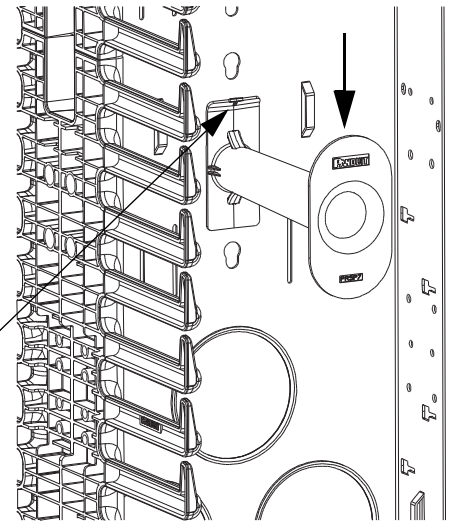
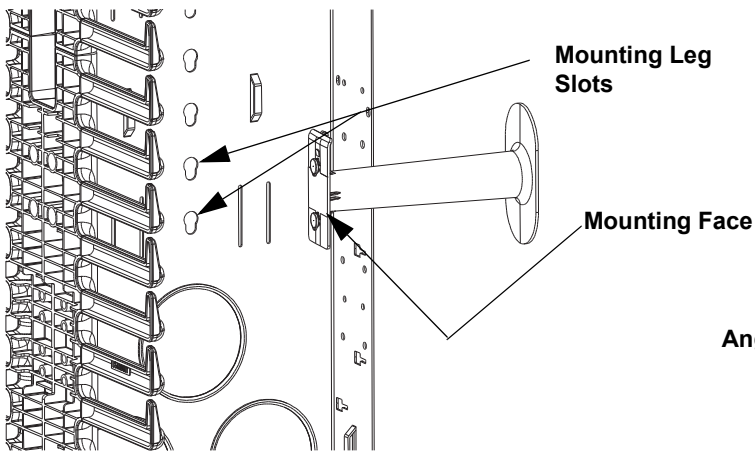


**Note:**  
Tighten bolts to 120 lbs.-in.

## INSTALLATION OF SPOOLS (PRSP5 or PRSP7)

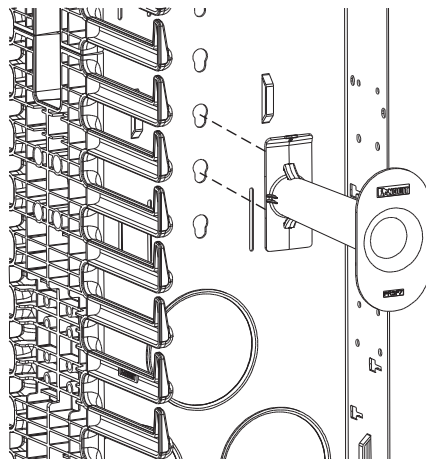
### Step 1

Align buttons with mounting leg slot



### Step 2

Push buttons through backbone until mounting face is flush with backbone.



### Step 3

Apply downward pressure until plastic spool clicks into place.

### Removal/Replacement

#### Step 4

Pull back on angled flange while applying upward pressure

#### Step 5

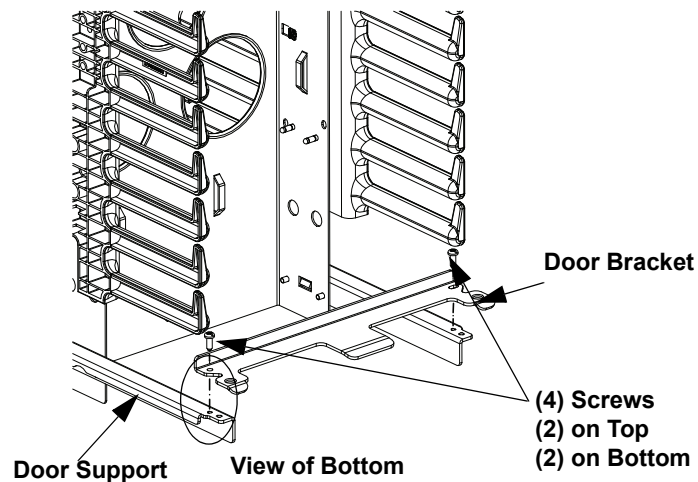
Repeat steps 1-3

### Note:

PRSP5 & PRSP7 spools will hold up to 14lbs.

### DUAL HINGED DOOR BRACKET INSTALLATION

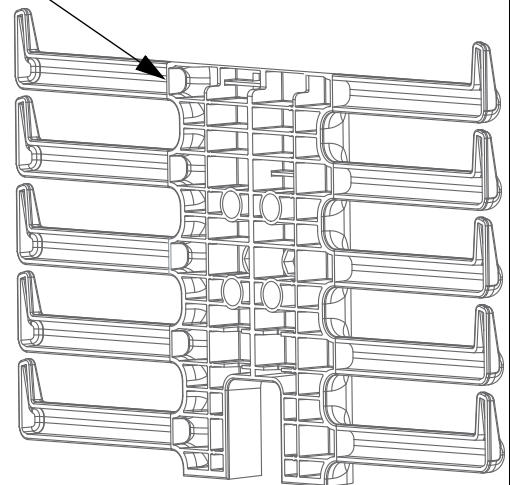
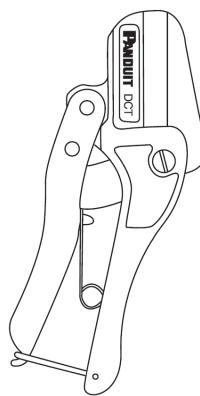
Attach door brackets with #10-32 screws to cross brace as shown in picture below. Two sets of threaded holes are present. Use the set in the back to align with the holes in the door bracket.



### FINGER REMOVAL (Optional)

Cut finger using **PANDUIT** Duct Cutting Tool (p/n: DCT) in the location shown

#### CUTTING TOOL (P/N: DCT)

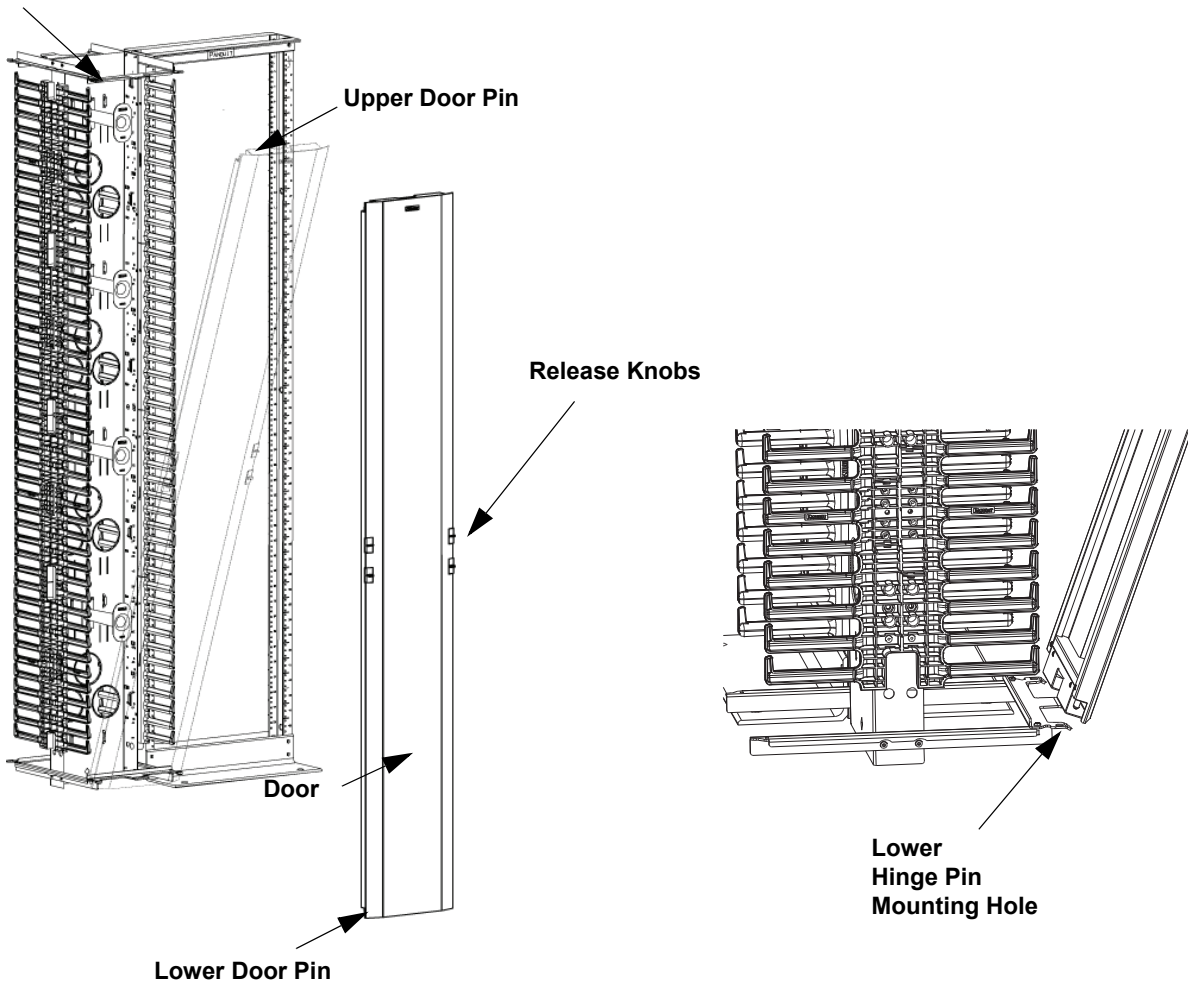


**DUAL HINGED DOOR INSTALLATION (PRDXX)**

Align lower pins with lower hinge pin mounting holes. Squeeze release knobs together, then align upper door pins with upper hinge pin mounting holes. Release pressure on the release knobs to set door in place.

**NOTE:** PatchRunner Enhanced Door (PED) can be installed on PRV managers. See PatchRunner Enhanced Door (PED) Installation Instructions for mounting.

Upper Hinge Pin Mounting Hole



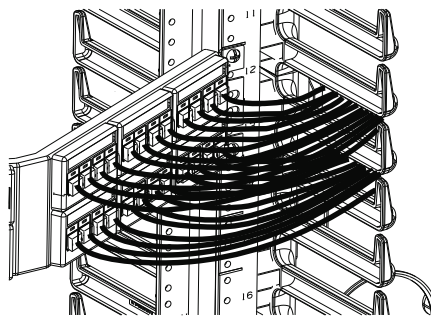
**Note:** For cleaning *PANDUIT* recommends using 'SIMPLE GREEN' all-purpose cleaner (or local equivalent) and a lint free cloth

**ROUTING CABLE**

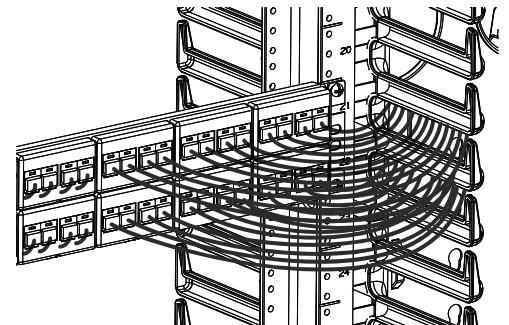
**Patch Panels Through**

***PATCHRUNNER* Vertical Cable Manager**

Route cables through fingers of *PATCHRUNNER* Vertical Manager maintaining cable bend radii. Use a slot on the *PATCHRUNNER* Vertical Cable Manager that is the same height as the patch panel. Proper routing for angled patch panel and flat patch panel shown below.

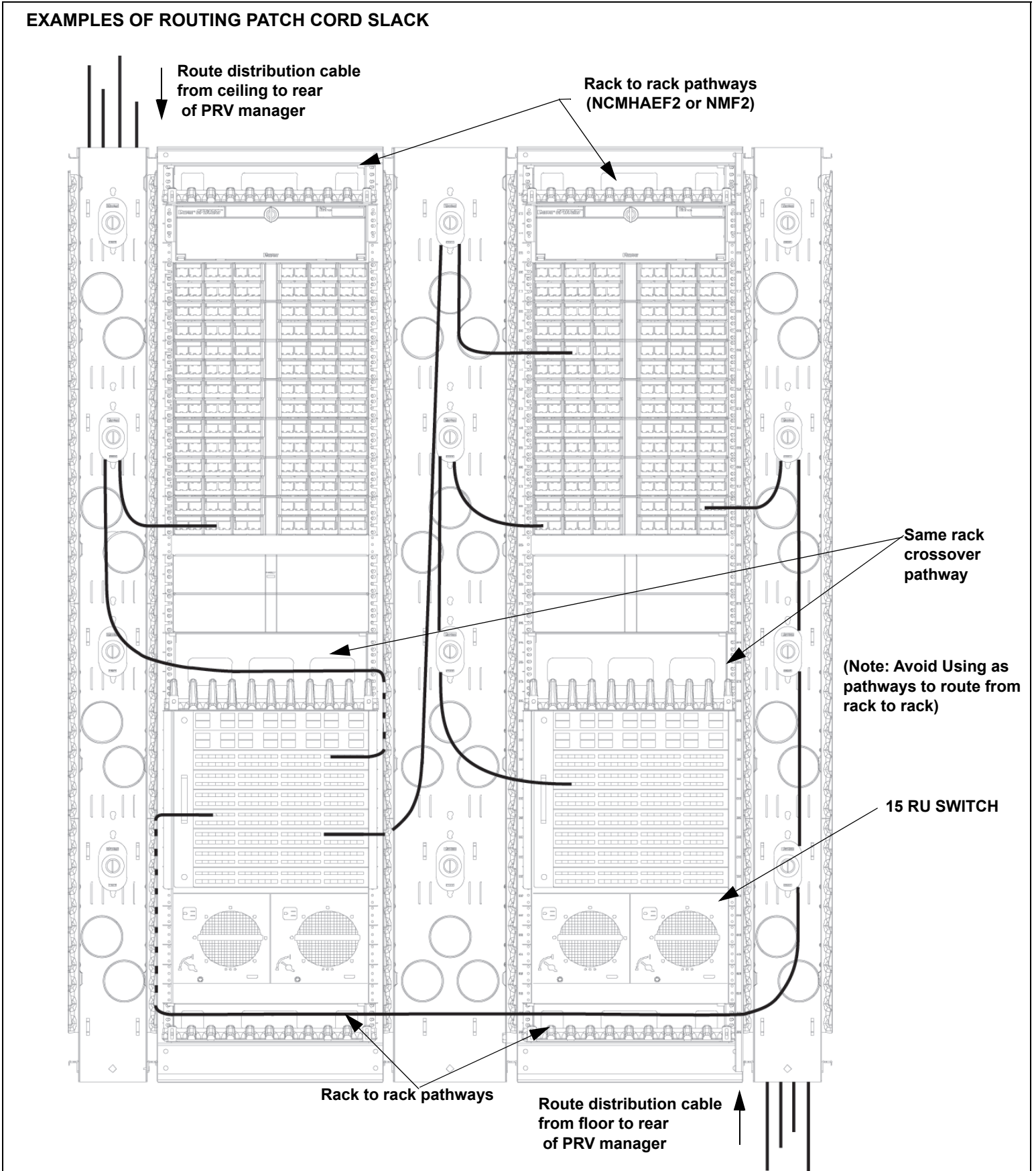


Angled Patch Panel Detail



Flat Patch Panel Detail

EXAMPLES OF ROUTING PATCH CORD SLACK



For instructions in Local Languages  
and Technical Support:

[www.panduit.com/resources/install\\_maintain.asp](http://www.panduit.com/resources/install_maintain.asp)

**PANDUIT**

[www.panduit.com](http://www.panduit.com)

E-mail: [techsupport@panduit.com](mailto:techsupport@panduit.com)  
Phone: (866) 405-6654