



Product designation

Direct-on-line starter

Product type designation

M0R00912...1

**Electrical features**

Relay adj range

A 0.6-1

IEC technical characteristics ( $\leq 440V$ )

$I_e$	A	1
kW	kW	0.18...0.25

**Components**

Starter enclosure standard supplied

M0RA

Contactor standard supplied

BG0910A

Thermal relay standard supplied

RF91

**Mechanical features**

Weight

g 720

**Ambient conditions**

Operating temperature

min	°C	-25
max	°C	+60

Storage temperature

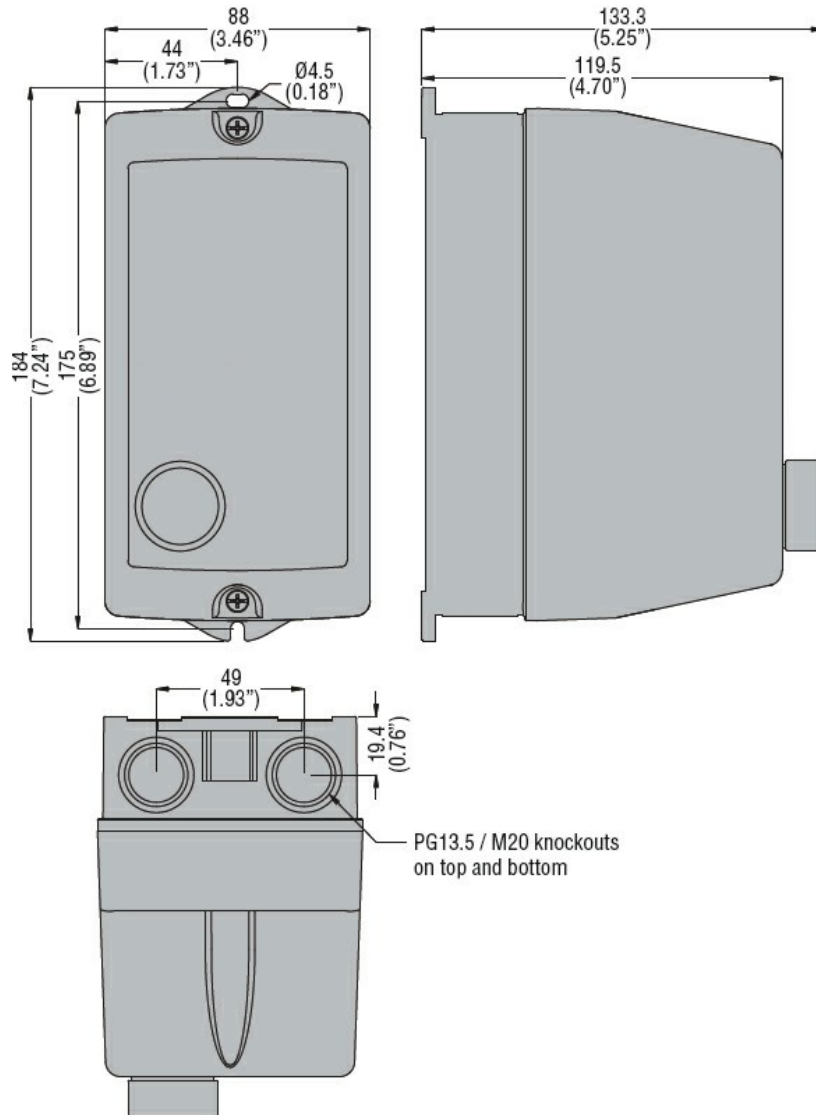
min	°C	-40
max	°C	+70

**Resistance & Protection**

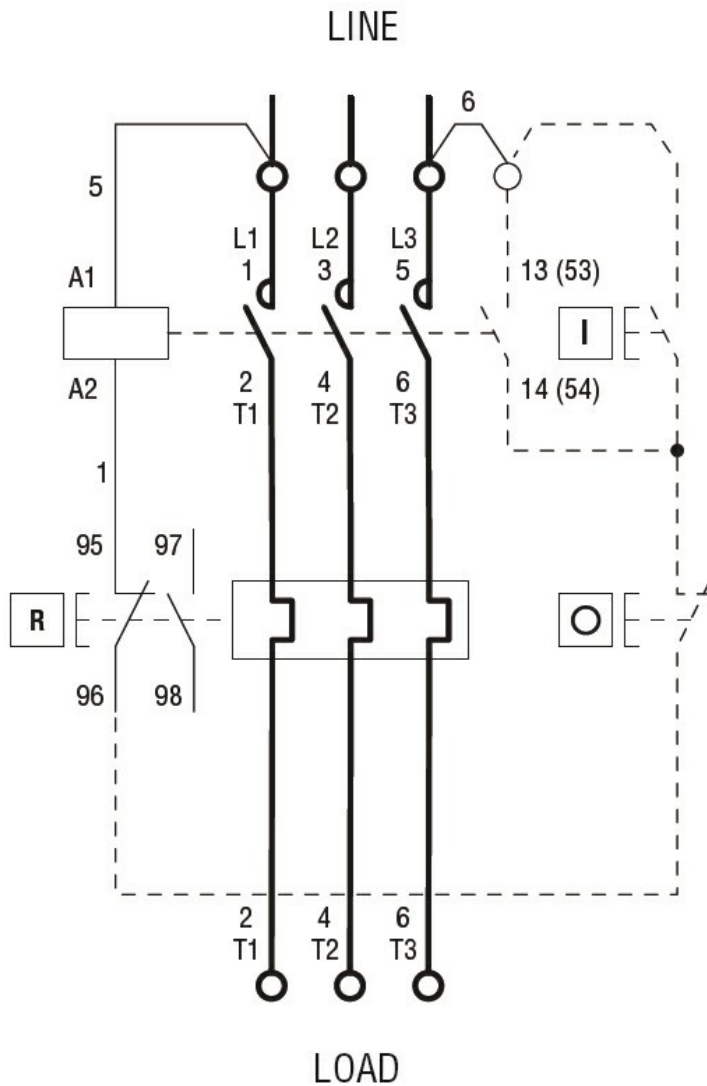
Frontal IP degree

IP65

**Dimensions**



Wiring diagrams



R = Reset; I = Start; O = Stop

### Certifications and compliance

#### Compliance

IEC/EN 60947-1  
IEC/EN 60947-4-1  
UL508 CSA C22.2 n° 14

#### Certificates

CSAus  
cULus  
EAC

### ETIM classification

ETIM 8.0

EC001037 -  
Motor  
starter/Motor  
starter  
combination