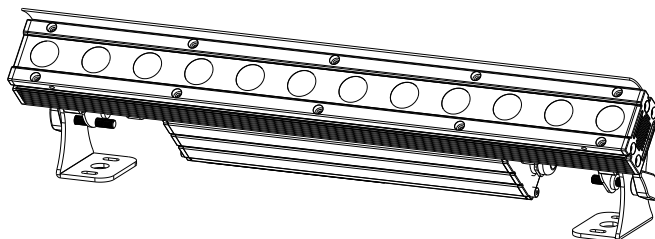


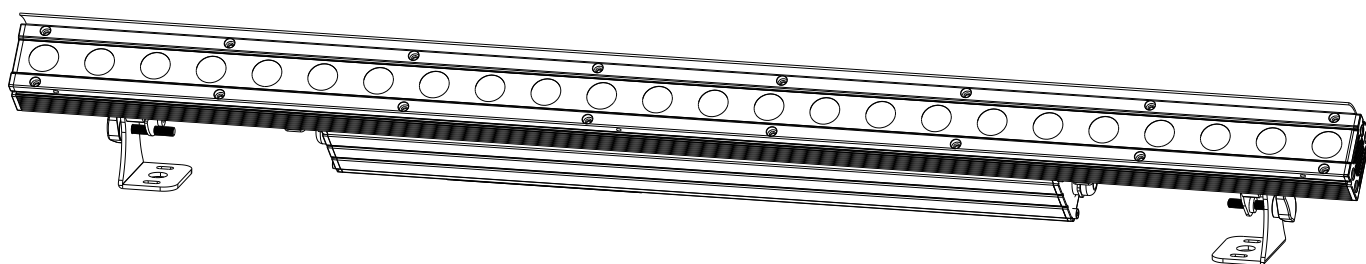
LDP COLORBAR 12FC

OUTDOOR ARCHITECTURAL RGBW-PROJECTOR



LDP COLORBAR 24FC

OUTDOOR ARCHITECTURAL RGBW-PROJECTOR



ENGLISH

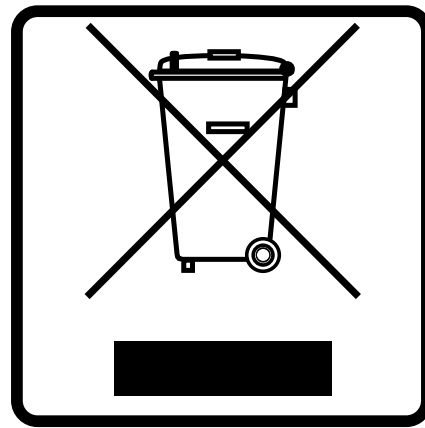
Operation Manual

Other languages can be downloaded from:
WWW.BRITEQ-LIGHTING.COM



Version: 1.1





EN - DISPOSAL OF THE DEVICE

Dispose of the unit and used batteries in an environment friendly manner according to your country regulations.

FR - DÉCLASSER L'APPAREIL

Débarrassez-vous de l'appareil et des piles usagées de manière écologique Conformément aux dispositions légales de votre pays.

NL - VERWIJDEREN VAN HET APPARAAT

Verwijder het toestel en de gebruikte batterijen op een milieuvriendelijke manier conform de in uw land geldende voorschriften.

DU - ENTSORGUNG DES GERÄTS

Entsorgen Sie das Gerät und die Batterien auf umweltfreundliche Art und Weise gemäß den Vorschriften Ihres Landes.

ES - DESHACERSE DEL APARATO

Reciclar el aparato y pilas usadas de forma ecologica conforme a las disposiciones legales de su país.

PT - COMO DESFAZER-SE DA UNIDADE

Tente reciclar a unidade e as pilhas usadas respeitando o ambiente e em conformidade com as normas vigentes no seu país.

OPERATION MANUAL

Thank you for buying this Briteq® product. To take full advantage of all possibilities and for your own safety, please read these operating instructions very carefully before you start using this unit.

FEATURES

- Powerful indoor / outdoor IP65 LED projector equipped for typical “wall wash” applications.
- Excellent light output and perfect color mixing thanks to 4Watt RGBW LEDs and high quality optics.
- Available in 2 versions:
 - LDP-COLORBAR 12FC: 48cm long enclosure, equipped with 12 leds, divided into 2 sections.
 - LDP-COLORBAR 24FC: 96cm long enclosure, equipped with 24 leds, divided into 4 sections.
- Elegant, extruded aluminum housing finished with tempered glass cover.
- The discretely designed bracket can be easily adjusted in any position.
- The included barndoor hides the LEDs and thus reduces unwanted glare.
- Optimal thermal management for long lifespan and easy maintenance
- Internal power supply and DMX / LED-driver electronics for easy installation.
- Waterproof input and output connectors allow the user to link up to 16pcs of LDP-COLORBAR 24FC.
- Perfect for use in hotels, clubs, shops, homes, ...
- Excellent built-in programs for wonderful, ever changing, light shows.
- Completely silent operation, thanks to natural convection cooling system.
- Alphanumeric OLED-display and waterproof touch keys to select different options of the setup menu.
- Works in standalone, master/slave or can be selected by DMX: fading colors, static colors / chases
- Both models can be daisy chained and used together in master/slave mode.
- Full DMX control with different channel modes: from 3ch up to 10ch (2 sections) or 20ch (4 sections)
- Adaptable lamp behavior thanks to seamless dimmer speed control.
- Four dimmer curves: linear, square, inverse square, S-curve
- In case of DMX failure, you can choose between blackout and freeze mode.
- Lock function to avoid unwanted altering of the settings.
- Special waterproof DMX in/outputs with adapter cables to XLR for maximum compatibility
- Equipped with a special GORE® vent to prevent moisture and condensation inside the projector.
- Optional cables available for easy, waterproof daisy chaining (LDP-Powercable & Signal link cable)

BEFORE USE

- Before you start using this unit, please check if there's no transportation damage. Should there be any, do not use the device and consult your dealer first.
- **Important:** This device left our factory in perfect condition and well packaged. It is absolutely necessary for the user to strictly follow the safety instructions and warnings in this user manual. Any damage caused by mishandling is not subject to warranty. The dealer will not accept responsibility for any resulting defects or problems caused by disregarding this user manual.
- Keep this booklet in a safe place for future consultation. If you sell the fixture, be sure to add this user manual.

Check the contents:

Check that the packing contains the following items:

- Operating instructions
- LDP-COLORBAR 12FC or LDP-COLORBAR 24FC
- Power conversion cable (IP-cabling to schuko, L=1,8m)
- DMX input conversion cable (IP-cabling to XLR-male)
- DMX output conversion cable (IP-cabling to XLR-female)
- Barndoor + 2 small bolts

SAFETY INSTRUCTIONS:



CAUTION
RISK OF ELECTRIC SHOCK
DO NOT OPEN



CAUTION: To reduce the risk of electric shock, do not remove the top cover. No user-serviceable parts inside. Refer servicing to qualified service personnel only.



The lightning flash with arrowhead symbol within the equilateral triangle is intended to alert the user or the presence of un-insulated "dangerous voltage" within the product's enclosure that may be of sufficient magnitude to constitute a risk of electric shock.



The exclamation point within the equilateral triangle is intended to alert the user to the presence of important operation and maintenance (servicing) instructions in the literature accompanying this appliance.



This symbol means: indoor use only



This symbol means: Read instructions



This symbol determines: the minimum distance from lighted objects. The minimum distance between light-output and the illuminated surface must be more than 1 meters

RISK GROUP 2
CAUTION:
Do not stare at operating lamp

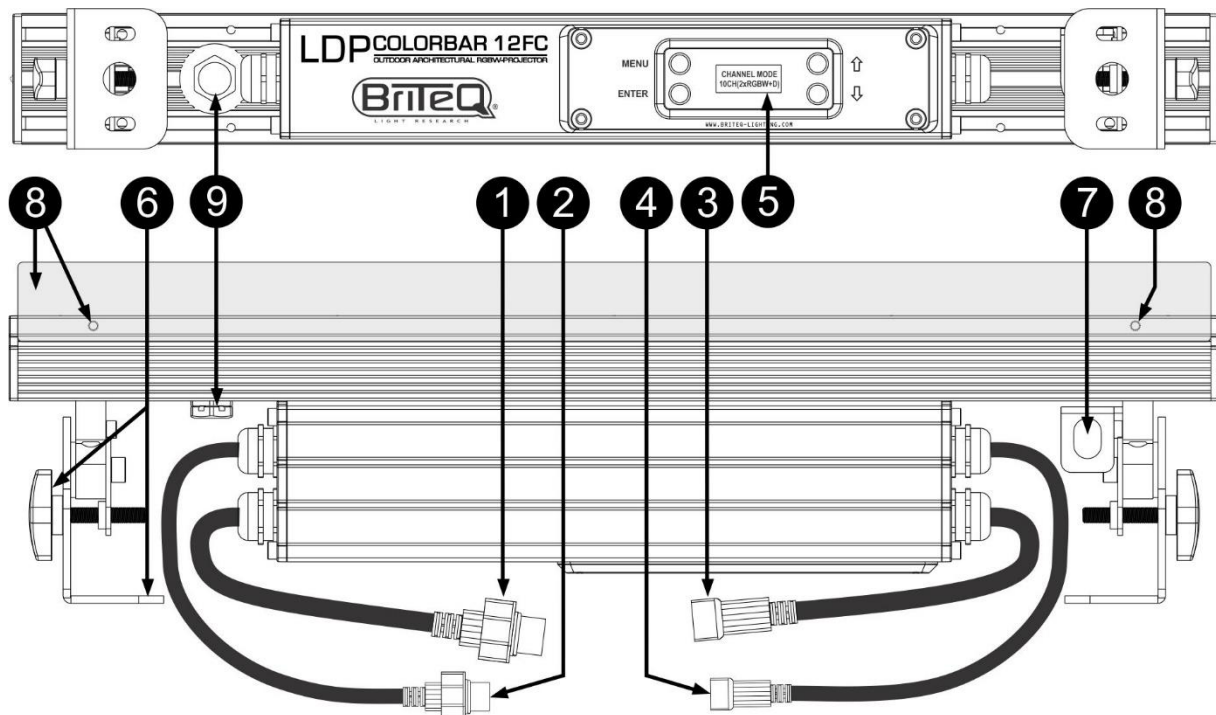
CAUTION: Do not stare at operating lamp.
May be harmful to the eyes.

- To protect the environment, please try to recycle the packing material as much as possible.
- To avoid condensation to be formed inside, allow the unit to adapt to the surrounding temperatures when bringing it into a warm room after transport. Condense sometimes prevents the unit from working at full performance or may even cause damages.
- Don't place metal objects or spill liquid inside the unit. Electric shock or malfunction may result. If a foreign object enters the unit, immediately disconnect the mains power.
- Locate the fixture in a well ventilated spot, away from any flammable materials and/or liquids. The fixture must be fixed at least 50cm from surrounding walls.
- Don't cover any ventilation openings as this may result in overheating.
- Prevent use in dusty environments and clean the unit regularly.
- Keep the unit away from children.
- Inexperienced persons should not operate this device.
- Maximum safe ambient temperature is 40°C. Don't use this unit at higher ambient temperatures.
- Make sure the area below the installation place is free from unwanted persons during rigging, de-rigging and servicing.
- Allow the device about 10 minutes to cool down before to start servicing.
- Always unplug the unit when it is not used for a longer time or before to start servicing.
- The electrical installation should be carried out by qualified personal only, according to the regulations for electrical and mechanical safety in your country.
- Check that the available voltage is not higher than the one stated on the unit.
- The power cord should always be in perfect condition. Switch the unit immediately off when the power cord is squashed or damaged. It must be replaced by the manufacturer, its service agent or similarly qualified persons in order to avoid a hazard.
- Never let the power-cord come into contact with other cables!
- This fixture must be earthed in order to comply with safety regulations.
- Don't connect the unit to any dimmer pack.
- Always use an appropriate and certified safety cable when installing the unit.
- In order to prevent electric shock, do not open the cover. There are no user serviceable parts inside.
- **Never** repair a fuse or bypass the fuse holder. **Always** replace a damaged fuse with a fuse of the same type and electrical specifications!
- In the event of serious operating problems, stop using the fixture and contact your dealer immediately.
- The housing and the lenses must be replaced if they are visibly damaged.
- Please use the original packing when the device is to be transported.
- Due to safety reasons it is prohibited to make unauthorized modifications to the unit.

Important: Never look directly into the light source! Don't use the effect in the presence of persons suffering from epilepsy.

DESCRIPTION:

Descriptions are made for the LDP-COLORBAR 12FC. All points are identical for the LDP-COLORBAR 24FC, except where indicated.



1. **POWER INPUT:** mains input cable using a special 4pin IP-rated connector. Connect it to the mains output cable of the previous projector in the line or use the supplied conversion cable to connect the projector directly to a wall outlet socket.
2. **DMX INPUT:** DMX input cable using a special 3pin IP-rated connector. Connect it to the DMX output cable of the previous LDP-projector in the line or use the supplied conversion cable to connect the unit to a standard XLR-output of a projector or DMX controller.
3. **POWER OUTPUT:** mains output cable using a special 4pin IP-rated connector. Connect it to the power input cable of the next projector in the line. Maximum power for the power line: 10A (2300W)
4. **DMX OUTPUT:** DMX output cable using a special 3pin IP-rated connector. Connect it to the DMX input cable of the next LDP-projector in the line or use the supplied conversion cable to connect the unit to a standard XLR-input of a DMX-projector.
5. **DISPLAY & BUTTONS:** alphanumeric OLED-display and waterproof touch keys to select different options of the setup menu:
 - **MENU-button:** used to browse the different menu options or to exit a menu option.
 - **▼-button:** used to go to the next menu option or to decrease a parameter value.
 - **▲-button:** used to go to the previous menu option or to increase a parameter value.
 - **ENTER-button:** used to select a menu option or confirm a setting.
6. **HANGING BRACKETS:** with knobs on both sides to change the projector position over 90° and fasten the unit firmly. The projector should be fixed to a flat wall, on the ground or on the ceiling using at least two adapted screws. For rental purposes also a clamp can be used.
7. **SAFETY HOLE:** used to attach a safety cable when the unit is rigged, see paragraph "overhead rigging".
8. **BARN DOOR fixing holes:** used to fix the included barndoor. The barn door hides the LEDs and thus reduces unwanted glare.
9. **GORE® VENT:** for improved performance and service life, this special vent equalizes the pressure inside the projector while blocking water and preventing condense from being formed.

OVERHEAD RIGGING

- **Important:** The installation must be carried out by qualified service personal only. Improper installation can result in serious injuries and/or damage to property. Overhead rigging requires extensive experience! Working load limits should be respected, certified installation materials should be used, the installed device should be inspected regularly for safety.
- Make sure the area below the installation place is free from unwanted persons during rigging, de-rigging and servicing.
- Locate the fixture in a well ventilated spot, far away from any flammable materials and/or liquids. The fixture must be fixed **at least 50cm** from surrounding walls.
- The device should be installed out of reach of people and outside areas where persons may walk by or be seated.
- Before rigging make sure that the installation area can hold a minimum point load of 10times the device's weight.
- Always use a certified safety cable that can hold 12times the weight of the device when installing the unit. This secondary safety attachment should be installed in a way that no part of the installation can drop more than 20cm if the main attachment fails.
- The device should be well fixed; a free-swinging mounting is dangerous and may not be considered!
- Don't cover any ventilation openings as this may result in overheating.
- The operator has to make sure that the safety-relating and machine-technical installations are approved by an expert before using them for the first time. The installations should be inspected every year by a skilled person to be sure that safety is still optimal.



SETUP MENU:

For both models all points are identical, except for the display messages: displays are shown on the left side.

- To select any of the functions, press the [MENU] button until the required function is shown on the display or use the ▼/▲ buttons to browse the menu.
- Select the function with the [ENTER] button.
- Use ▼/▲ buttons to change the values.
- Once the required value is selected, press the [ENTER] button to confirm.

[DMX ADDR]

Used to set the desired DMX-address.

- Press the [MENU] or ▼/▲ buttons until the desired function is showing on the display.
- Press the [ENTER] button: the values can be changed
- Use ▼/▲ buttons to select the desired DMX512 address. The last occupied DMX-address is also shown: makes it easier to set the address of the next unit in the chain.
- Once the correct address shows on the display, press the [ENTER] button to save it.

Note: on RDM-compatible controllers this option can also be remotely set.

[CHANNEL MODE]

Used to set the desired channel mode.

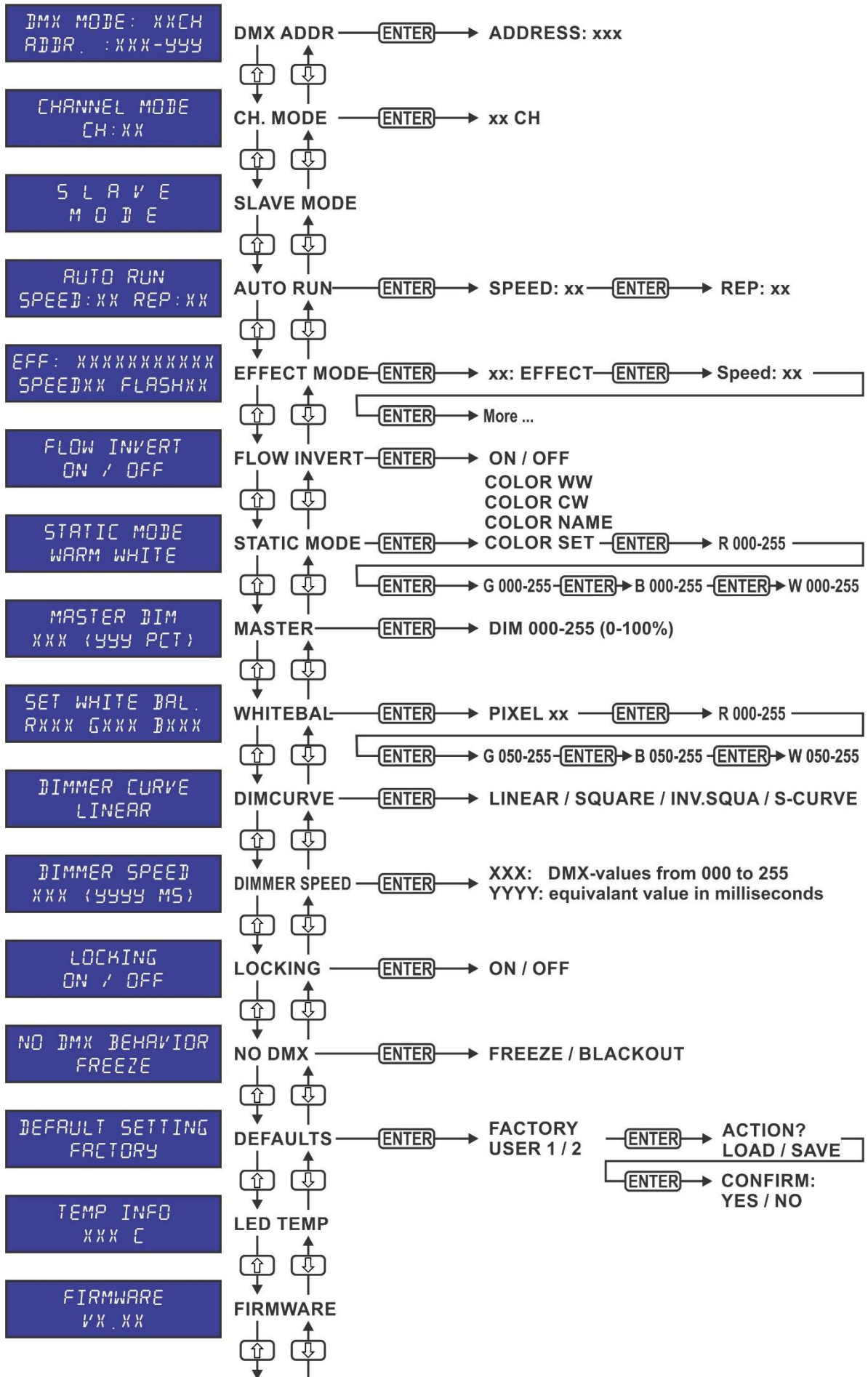
- Press the [MENU] or ▼/▲ buttons until the desired function is showing on the display.
- Press the [ENTER] button: the values can be changed
- Use ▼/▲ buttons to select the desired mode:
 - **03CH FX-Mode** Easy mode with preprogrammed colors + effects
 - **04CH RGBW** The 4 colors can be set separately, no master dimmer.
 - **06CH RGBW+D+S** The 4 colors can be set separately, with combined strobe + master dimmer.
 - **08CH (2xRGBW)** The 4 colors can be set separately on 2 sections, no master dimmer.
 - **10CH (2xRGBW+D)** The 4 colors + master dimmer can be set separately on 2 sections.

Only available on LDP-COLORBAR 24FC:

- **16CH (4xRGBW)** The 4 colors can be set separately on 4 sections, no master dimmer.
- **20CH (4xRGBW+D)** The 4 colors + master dimmer can be set separately on 4 sections.

Once the correct option shows on the display, press the [ENTER] button to save it.

Remark: on RDM-compatible controllers this option can also be remotely set.



[SLAVE MODE]

Used to set the projector as slave in a master/slave setup.

- Press the [MENU] button until [SLAVE MODE] is showing on the display.

[AUTO RUN] (SIMPLE AUTO MODE)

Used to set the projector to standalone auto mode with different chases playing in endless loops.

Press the [MENU] or ▼/▲ buttons until [AUTO RUN] is shown on the display.

- Press the [ENTER] button: the playback speed of the chases [SP] can be set from 00 to 99.
- Use ▼/▲ buttons to change the value.
- Press the [ENTER] button: the repetition rate [REP] of the chases can be set from 00 to 99.
- Use ▼/▲ buttons to change the value.

[EFFECT] MODE

Used to set the desired effect mode while used as master.

- Press the [MENU] or ▼/▲ buttons until the desired function is showing on the display.
- Press the [ENTER] button: the values can be changed
- Use ▼/▲ buttons to selected the desired mode: 01. to XX. (different chases, including color fade, color change, effects, ...)
- Once the correct option shows on the display, press the [ENTER] button to save it.
- Use ▼/▲ buttons to select the desired **playback speed [SP]** from 01 (very slow) to 99 (fast).
- Once the correct value shows on the display, press the [ENTER] button to save it.
- Use ▼/▲ buttons to select the desired **strobe speed [F]** from 00 (NO strobe) to 99 (fast).
- Once the correct value shows on the display, press the [ENTER] button to save it.

[FLOW INVERT] MODE

Used to change the running direction of the chases.

- Press the [MENU] or ▼/▲ buttons until the desired function is showing on the display.
- Use ▼/▲ buttons to toggle between [ON] & [OFF].

[STATIC COLOR] MODE

Used to set the desired fixed color while used as master: **9 preset colors + 1 custom color.**

- Press the [MENU] or ▼/▲ buttons until the desired function is showing on the display.
- Press the [ENTER] button: the values can be changed
- Use ▼/▲ buttons to selected the desired color:
 - **COLOR WW** warm white 3200K
 - **COLOR CW** warm white 5600K
 - **RED**
 - **ORANGE**
 - **YELLOW**
 - **GREEN**
 - **CYAN**
 - **BLUE**
 - **PURPLE**
 - **COLOR SET** this is a color that can be set by the user. Follow these steps:
 - Press the [ENTER] button: the display shows the value (000-255) for RED. (change with ▼/▲ buttons)
 - Press the [ENTER] button: the display shows the value (000-255) for GREEN. (change with ▼/▲ buttons)
 - Press the [ENTER] button: the display shows the value (000-255) for BLUE. (change with ▼/▲ buttons)
 - Press the [ENTER] button: the display shows the value (000-255) for WHITE. (change with ▼/▲ buttons)
 - Repeat these steps until you have the desired values. The settings will be automatically saved.

[MASTER DIM]

Used to set the master dimmer while used as master.

- Press the [MENU] or ▼/▲ buttons until the desired function is showing on the display.
- Press the [ENTER] button: the values can be changed
- Use ▼/▲ buttons to select the desired level for the master dimmer. (please note that the last selected static color will be used to set the value)
- Once you have the desired level, press the [ENTER] button to save it.

Note: the setting of this option has NO effect while the projector is used as SLAVE or in DMX-mode.

[WHITE BALANCE]

Used to set the white balance or to perfectly match the colors of several projectors.

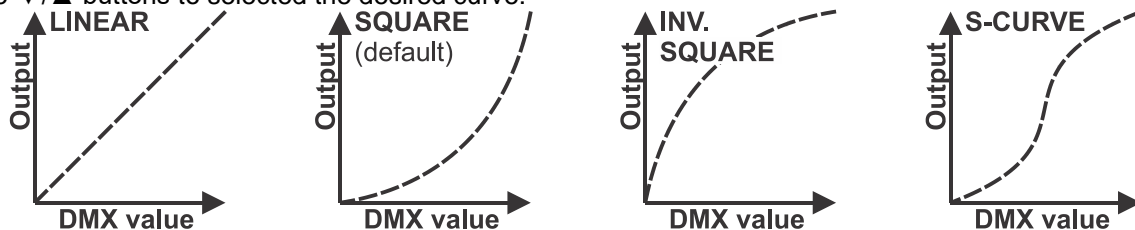
- Press the [MENU] or ▼/▲ buttons until the desired function is showing on the display.
- Press the [ENTER] button: the display shows the selected pixel 01...02 or 04. (change with ▼/▲ buttons)
- Press the [ENTER] button: the display shows the value (050-255) for RED. (change with ▼/▲ buttons)
- Press the [ENTER] button: the display shows the value (050-255) for GREEN. (change with ▼/▲ buttons)
- Press the [ENTER] button: the display shows the value (050-255) for BLUE. (change with ▼/▲ buttons)
- Press the [ENTER] button: the display shows the value (050-255) for WHITE. (change with ▼/▲ buttons)
- Repeat these steps until you have the desired values. The settings will be automatically saved.

Note: the setting of this option affects all color settings, static colors and DMX-controlled colors.

[DIMMER CURVE]

Used to set the dimmer curve of the master dimmer.

- Press the [MENU] or ▼/▲ buttons until the desired function is showing on the display.
- Press the [ENTER] button: the values can be changed
- Use ▼/▲ buttons to selected the desired curve:



- Once you have the desired curve, press the [ENTER] button to save it.

[DIMMER SPEED]

Used to set the speed (smoothness) of the dimmer continuously.

- Press the [MENU] or ▼/▲ buttons until the desired function is showing on the display.
- Press the [ENTER] button: the values can be changed
- Use ▲/▼ buttons to select the desired speed:
 - **000 (0ms):** The projector follows the instructions instantly, no delay (also called [LED behavior]).
 - ...
 - **255 (2000ms):** The projector imitates the behavior of a halogen lamp (slower reaction time).
- Once the desired value shows on the display, press the [ENTER] button to confirm.

Remark: The default value (100 or 440ms) is the most realistic value to imitate "halogen lamp" behavior. At the same time the light output will be instantaneous while pushing a flash button on your DMX-controller.

[LOCKING] MODE

Used to lock the setup menu against unwanted altering of the settings.

- Press the [MENU] or ▼/▲ buttons until the desired function is showing on the display.
- Press the [ENTER] button: the values can be changed
- Use ▼/▲ buttons to select the desired mode:
 - **[OFF]** The setup menu can be used at any time.
 - **[ON]** After a short time the setup menu locks automatically, the display shows [LOCKED *****].
Unlock the display by pressing the buttons in this order: ▲, ▼, ▲, ▼, [ENTER].
- Once the correct option shows on the display, press the [ENTER] button to save it.

[NO DMX BEHAVIOR]

Used to set how the projector reacts when the DMX-signal suddenly disappears.

- Press the [MENU] or ▼/▲ buttons until the desired function is showing on the display.
- Press the [ENTER] button: the values can be changed
- Use ▼/▲ buttons to select the desired mode:
 - **BLACKOUT** output turns black while no DMX is detected.
 - **FREEZE:** output based on the last valid DMX-signal is kept on the projector.
- Once the correct option shows on the display, press the [ENTER] button to save it.

Note: as soon as the input detects a DMX-signal, blackout or freeze mode will be cancelled.

DEFAULT SETTINGS

This is your emergency exit if you really messed up the settings: just return to factory settings. Also 2 user settings can be saved/loaded.

- Press the [MENU] or ▼/▲ buttons until the desired function is showing on the display.
- Press the [ENTER] button: the values can be changed
- Use ▼/▲ buttons to selected the desired settings:
 - [FACTORY]
 - [USER1]
 - [USER2]
- Press the [ENTER] button:
 - [FACTORY] was selected: the display shows [LOAD]
 - Press the [ENTER] button: the display shows [CONFIRM]
 - Use ▼/▲ buttons to select [YES / NO]
 - Press the [ENTER] button to confirm.
 - [USER1] / [USER2] was selected: the display shows [ACTION]
 - Use ▼/▲ buttons to select [LOAD] / [SAVE]
 - Press the [ENTER] button to confirm: the display shows [CONFIRM]
 - Use ▼/▲ buttons to select [YES] / [NO]
 - Press the [ENTER] button to confirm.
 - [SAVE] was selected: the current settings of the setup menu are saved to memory.
 - [LOAD] was selected: the previously saved settings are loaded.

PARAMETER name	Defaults 12FC	Defaults 24FC	USER defaults 1	USER defaults 2
DMX Channel mode	4CH RGBW	4CH RGBW	Current setting in the menu	Current setting in the menu
AUTO RUN	SPEED = 50 Repeat = 3	SPEED = 50 Repeat =3	Current setting in the menu	Current setting in the menu
EFFECT MODE	CFADE speed=50 + FL = 00	CFADE speed=50 + FL = 00	Current setting in the menu	Current setting in the menu
Flow invert	OFF	OFF	Current setting in the menu	Current setting in the menu
CUSTOM Static color	RGBW = 255	RGBW = 255	Current custom color settings	Current custom color settings
MASTER DIM	100%	100%	Current setting in the menu	Current setting in the menu
WHITE BALANCE	RGBW = 255	RGBW = 255	Current white balance settings for all pixels are saved	Current white balance settings for all pixels are saved
DIM Curve	Square	Square	Current setting in the menu	Current setting in the menu
DIMMER SPEED	100 (0440ms)	100 (0440ms)	Current setting in the menu	Current setting in the menu
Auto Lock Menu	OFF	OFF	Current setting in the menu	Current setting in the menu
No DMX mode	Freeze	Freeze	Current setting in the menu	Current setting in the menu

FIRMWARE VERSION

Used to show the current version of the firmware.

- Press the [MENU] button until the [FIRMWARE] is showing on the display.

Note: The firmware of this unit can be upgraded using our special “Firmware Updater 2” (separately available from Briteq). More information about this can be found in the user manual of the firmware updater or our website: <https://briteq-lighting.com/firmware-updater-2>

ELECTRICAL INSTALLATION + USE

⚠ Important: The electrical installation should be carried out by qualified personal only, according to the regulations for electrical and mechanical safety in your country.

STANDALONE WITH BUILT-IN CHASES:

Use this function when you want an instant show on only 1 projector.

- Connect the projector to the mains and turn it on.
- Select one of the following modes in the setup menu:
 - **[AUTO RUN] mode:** Used to set the projector to standalone auto mode with different chases playing in endless loops.
 - **[EFFECT] mode:** Used to set the desired effect mode while used as master. (different chases, including color fade, color change, effects, ...).
 - **[STATIC] mode:** Used to set the desired fixed color while used as master: 9 colors + 1 custom color.

Note: No DMX-controller connected, see the section “setup menu” for more information on the settings.

STANDALONE MASTER/SLAVE WITH BUILT-IN CHASES:

Use this function when you want an instant show on several, linked projectors.

By linking the units in master/slave connection, the first unit will control the other units to show a synchronized automatic or sound activated light show.

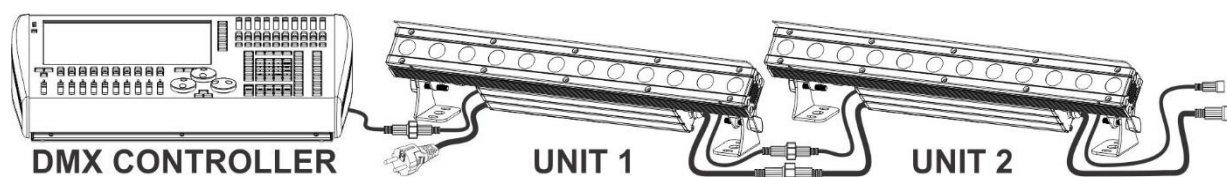
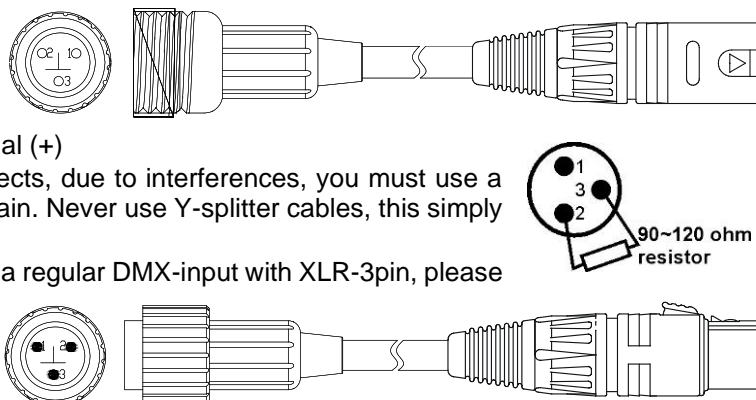
- Connect the projectors as shown in the drawing below, no DMX-controller connected. You can put as many slaves as you like on condition that the overall power consumption on the power line stays under 10A (2300W).



- **Setup of the master:** exactly the same procedure as the “STANDALONE” setup.
- **Setup of the slaves:** all slaves should be set to “SLAVE MODE”, See the section “setup menu” for more information on the settings.

ELECTRICAL INSTALLATION FOR TWO OR MORE UNITS IN DMX-MODE:

- The DMX-protocol is a widely used high speed signal to control intelligent light equipment. You need to “daisy chain” your DMX controller and all the connected units.
- Use the supplied DMX input conversion cable (IP-cabling to XLR-male) to connect the first unit in the line to the controller.
- Pin layout XLR-3pin: Pin1 = GND ~ Pin2 = Negative signal (-) ~ Pin3 = Positive signal (+)
- To prevent strange behavior of the light effects, due to interferences, you must use a 90Ω to 120Ω terminator at the end of the chain. Never use Y-splitter cables, this simply won't work!
- If the projector is followed by units that have a regular DMX-input with XLR-3pin, please use the supplied DMX output conversion cable (IP-cabling to XLR-female) to make the connection.
- Make sure that all units are connected to the mains.
- Each unit in the chain needs to have its proper starting address so it knows which commands from the controller it has to decode.



DMX CHARTS

For maximum compatibility both LDP-COLORBAR 12FC and LDP-COLORBAR 24FC have several identical DMX-charts so they can easily work together. More advanced DMX-charts are specific for each model.

03CH FX-Mode Easy mode with preprogrammed colors + effects

Available on both LDP-COLORBAR 12FC and LDP-COLORBAR 24FC

DMX VALUE	CH1 EFFECT	CH2 FUNCTION	CH3 DIMMER
000-009	R (RED)		
010-019	G (GREEN)		
020-029	B (BLUE)		
030-039	W (WHITE)		
040-049	RG		
050-059	GB	000-008	
060-069	BW	NO strobe	
070-079	RW	009-255	
080-089	GW	STROBE	
090-099	RB	from slow to	
100-109	RGB	fast (30Hz)	
110-119	GBW		Master
120-129	RGW		DIMMER
130-139	RBW		(0% to 100%)
140-149	RGBW		
150-159	CFADE		
160-169	Meteor		
170-179	Fade		
180-189	CHANGE		
190-199	Flow1	SPEED	
200-209	Flow2	(0-255)	
210-219	Flow3		
220-229	Flow4		
230-239	Flow5		
240-255	Flow6		

04CH RGBW The 4 colors can be set separately, no master dimmer.

Available on both LDP-COLORBAR 12FC and LDP-COLORBAR 24FC

Channel:	Value:	Function:	Remarks
1	000-255	Red (0-100%)	
2	000-255	Green (0-100%)	
3	000-255	Blue (0-100%)	
4	000-255	White (0-100%)	

06CH RGBW+D+S The 4 colors can be set separately, with combined strobe + master dimmer.

Available on both LDP-COLORBAR 12FC and LDP-COLORBAR 24FC

Channel:	Value:	Function:	Remarks
1	000-255	Red (0-100%)	
2	000-255	Green (0-100%)	
3	000-255	Blue (0-100%)	
4	000-255	White (0-100%)	
5	000-255	Master dimmer (0-100%)	
6	000-004	ON (no strobe)	
	005-255	Strobe	Increasing speed: 005=slow ~ 255=fast

08CH (2xRGBW) The 4 colors can be set separately on 2 sections, no master dimmer.

Available on both LDP-COLORBAR 12FC and LDP-COLORBAR 24FC

Channel:	Value:	Function:	Remarks
1	000-255	Section 1 Red (0-100%)	
2	000-255	Section 1 Green (0-100%)	
3	000-255	Section 1 Blue (0-100%)	
4	000-255	Section 1 White (0-100%)	
5	000-255	Section 2 Red (0-100%)	
6	000-255	Section 2 Green (0-100%)	
7	000-255	Section 2 Blue (0-100%)	
8	000-255	Section 2 White (0-100%)	

10CH (2xRGBW+D) The 4 colors + master dimmer can be set separately on 2 sections.

Available on both LDP-COLORBAR 12FC and LDP-COLORBAR 24FC

Channel:	Value:	Function:	Remarks
1	000-255	Section 1 Red (0-100%)	
2	000-255	Section 1 Green (0-100%)	
3	000-255	Section 1 Blue (0-100%)	
4	000-255	Section 1 White (0-100%)	
5	000-255	Section 1 Master (0-100%)	Master for section 1
6	000-255	Section 2 Red (0-100%)	
7	000-255	Section 2 Green (0-100%)	
8	000-255	Section 2 Blue (0-100%)	
9	000-255	Section 2 White (0-100%)	
10	000-255	Section 2 Master (0-100%)	Master for section 2

16CH (4xRGBW) The 4 colors can be set separately on 4 sections, no master dimmer.

▶▶▶ ONLY available on LDP-COLORBAR 24FC !!! ◀◀◀

Channel:	Value:	Function:	Remarks
1	000-255	Section 1 Red (0-100%)	
2	000-255	Section 1 Green (0-100%)	
3	000-255	Section 1 Blue (0-100%)	
4	000-255	Section 1 White (0-100%)	
5	000-255	Section 2 Red (0-100%)	
6	000-255	Section 2 Green (0-100%)	
7	000-255	Section 2 Blue (0-100%)	
8	000-255	Section 2 White (0-100%)	
9	000-255	Section 3 Red (0-100%)	
10	000-255	Section 3 Green (0-100%)	
11	000-255	Section 3 Blue (0-100%)	
12	000-255	Section 3 White (0-100%)	
13	000-255	Section 4 Red (0-100%)	
14	000-255	Section 4 Green (0-100%)	
15	000-255	Section 4 Blue (0-100%)	
16	000-255	Section 4 White (0-100%)	

20CH (4xRGBW+D) The 4 colors + master dimmer can be set separately on 4 sections.

▶▶▶ ONLY available on LDP-COLORBAR 24FC !!! ◀◀◀

Channel:	Value:	Function:	Remarks
1	000-255	Section 1 Red (0-100%)	
2	000-255	Section 1 Green (0-100%)	
3	000-255	Section 1 Blue (0-100%)	
4	000-255	Section 1 White (0-100%)	
5	000-255	Section 1 Master (0-100%)	Master for section 1
6	000-255	Section 2 Red (0-100%)	
7	000-255	Section 2 Green (0-100%)	
8	000-255	Section 2 Blue (0-100%)	
9	000-255	Section 2 White (0-100%)	
10	000-255	Section 2 Master (0-100%)	Master for section 2

11	000-255	Section 3 Red (0-100%)	
12	000-255	Section 3 Green (0-100%)	
13	000-255	Section 3 Blue (0-100%)	
14	000-255	Section 3 White (0-100%)	
15	000-255	Section 3 Master (0-100%)	Master for section 3
16	000-255	Section 4 Red (0-100%)	
17	000-255	Section 4 Green (0-100%)	
18	000-255	Section 4 Blue (0-100%)	
19	000-255	Section 4 White (0-100%)	
20	000-255	Section 4 Master (0-100%)	Master for section 4

RDM FUNCTIONS / REMOTE SETUP

RDM means “Remote Device Management”. This projector works with a brief set of RDM-functions which means that it can setup a bi-directional communication with an RDM-compatible DMX-controller. Some of these functions are briefly explained below, others will be added in the future.

- The DMX-controller sends out a “discovery command”, all RDM devices respond and send their unique device ID.
- The DMX-controller asks each RDM device for some basic data so it knows which devices are connected. The projector will respond:
 - **Device name:** the actual name of the unit
 - **Manufacturer:** Briteq®
 - **Category:** LED Dimmer
 - **Firmware:** x.x.x.x (firmware version of the projector)
 - **DMX address:** xxx (current DMX start address of the projector)
 - **DMX footprint:** xx (number of DMX-channels used by the projector)
 - **Personality:** xx (current personality [or DMX-working mode] used by the projectors)
- The DMX-controller can send certain commands to each RDM device which allow remote setup of the units. Thanks to this the projectors can be setup remotely.

The following functions can be managed remotely:

No more need to take a ladder and set all units one by one!

- **DMX START ADDRESS:** The start address can be set remotely from 001 to xxx.
- **PERSONALITY:** The DMX working mode (DMX-chart) can be set remotely.

These 2 functions make it possible to prepare a complete DMX-patch of all projectors on the DMX-controller and send these data to all projectors at once. More functions will be added later.

MAINTENANCE

- Make sure the area below the installation place is free from unwanted persons during servicing.
- Switch off the unit, unplug the mains cable and wait until the unit has been cooled down.

During inspection the following points should be checked:

- All screws used for installing the device and any of its parts should be tightly fastened and may not be corroded.
- Housings, fixations and installations spots (ceiling, truss, suspensions) should be totally free from any deformation.
- When an optical lens is visibly damaged due to cracks or deep scratches, it must be replaced.
- The mains cables must be in impeccable condition and should be replaced immediately when even a small problem is detected.
- In order to protect the device from overheat the cooling fans (if any) and ventilation openings should be cleaned monthly.
- The cleaning of internal and external optical lenses and/or mirrors must be carried out periodically to optimize light output. Cleaning frequency depends on the environment in which the fixture operates: damp, smoky or particularly dirty surroundings can cause greater accumulation of dirt on the unit's optics.
 - Clean with a soft cloth using normal glass cleaning products.
 - Always dry the parts carefully.

Attention: We strongly recommend internal cleaning to be carried out by qualified technician!

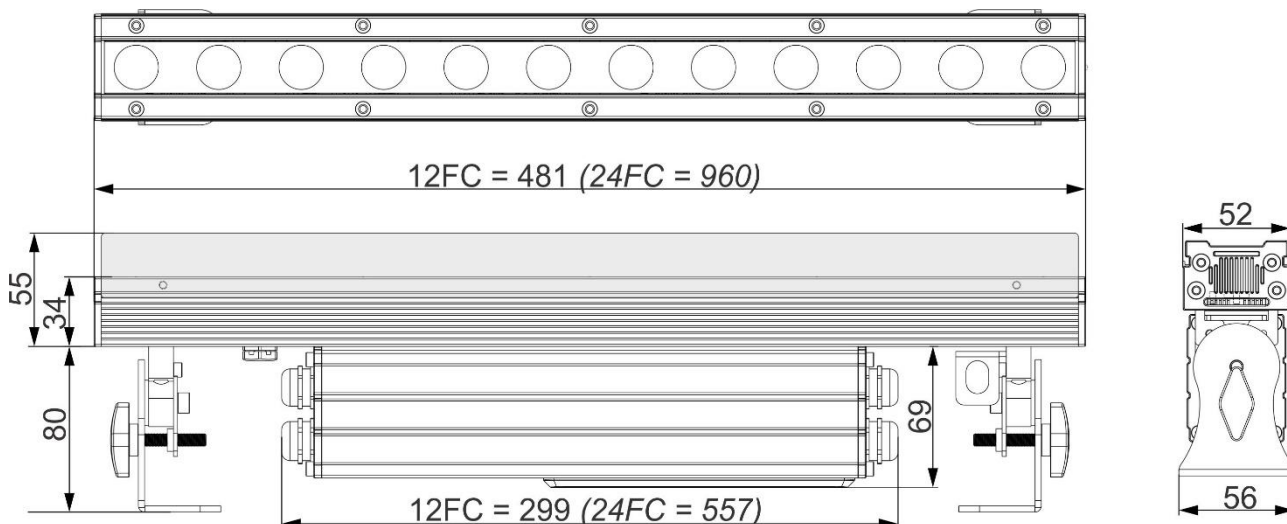
SPECIFICATIONS

This unit is radio-interference suppressed. This product meets the requirements of the current European and national guidelines. Conformity has been established and the relevant statements and documents have been deposited by the manufacturer.

MODEL	LDP-COLORBAR 12FC	LDP-COLORBAR 24FC
Power supply	AC 100-240V, 50/60Hz	AC 100-240V, 50/60Hz
Power consumption (RGB = max)	56Watt max (white 100%)	110Watt max (white 100%)
Power factor (PF)	0,9	0,9
Power in/out linking capacity	10A max (2300Watt)	10A max (2300Watt)
Fuse	no user replaceable fuse	no user replaceable fuse
DMX connections	Waterproof 3pin cable Conversion cables to 3pin XLR male / female included	Waterproof 3pin cable Conversion cables to 3pin XLR male / female included
DMX channel modes	3 + 4 + 6 + 8 + 10 ch	3 + 4 + 6 + 8 + 10 + 16 + 20 ch
Lamp type	12pcs 4W RGBW led	24pcs 4W RGBW led
Beam angle	15°	15°
LED refresh rate	1,2 kHz	1,2 kHz
Enclosure temperature (T _a : 40°C)	Surface: 80°C max.	Surface: 80°C max.
Dimensions LxWxH (mm)	481x56x114/135 (see drawing)	960x56x114/135 (see drawing)
Weight (kg)	3,4	5,6
Compatible IP-power link cables	LDP-POWERCABLE 2M (5157) + 5M (5158)	
Compatible IP-DMX link cables	SIGNAL LINK CABLE 1.5M (4908) + 5M (4903) + 10M (4904)	

DIMENSIONS

All dimensions are valid for both projectors, except 2 lengths: dimensions for 24FC are between brackets.



The information might be modified without prior notice

You can download the latest version of this user manual on our website: www.briteq-lighting.com



MAILING LIST

EN: Subscribe today to our mailing list for the latest product news!

FR: Inscrivez-vous à notre liste de distribution si vous souhaitez suivre l'actualité de nos produits!

NL: Abonneer je vandaag nog op onze mailinglijst en ontvang ons laatste product nieuws!

DE: Abonnieren Sie unseren Newsletter und erhalten Sie aktuelle Produktinformationen!

ES: Suscríbete hoy a nuestra lista de correo para recibir las últimas noticias!

PT: Inscreva-se hoje na nossa mailing list para estar a par das últimas notícias!

WWW.BRITEQ-LIGHTING.COM

Copyright © 2020 by BEGLEC NV

't Hofveld 2C ~ B1702 Groot-Bijgaarden ~ Belgium

Reproduction or publication of the content in any manner, without express permission of the publisher, is prohibited.