

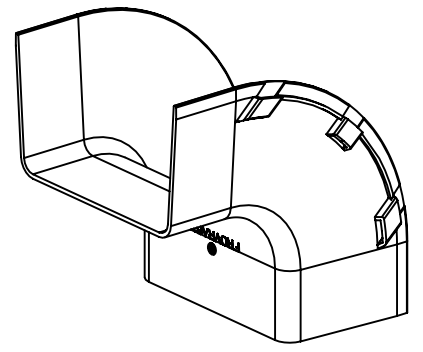
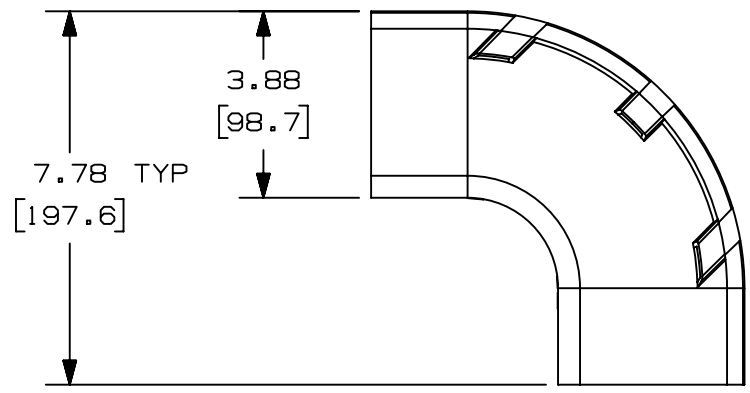
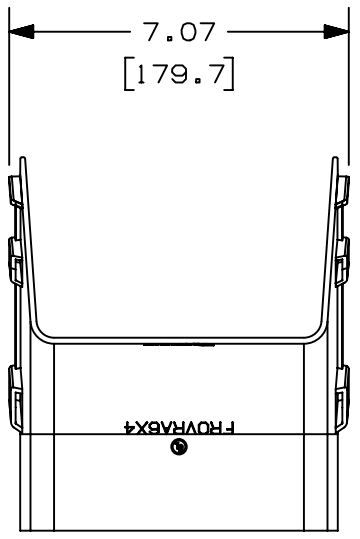
THIS COPY IS PROVIDED ON A RESTRICTED BASIS AND IS NOT TO BE USED IN ANY WAY DETRIMENTAL TO THE INTERESTS OF PANDUIT CORP.

PANDUIT PART NUMBER	WEIGHT	MATERIAL
FROVRA6X4**	0.8 LB/EACH (363g/EACH)	ABS
FROVRA6X4L**	0.8 LB/EACH (363g/EACH)	PC/ABS



NOTES:

1. SEE CURRENT CATALOG FOR ADDITIONAL PART SUFFIXES TO INDICATE COLOR AND/OR PACKAGE QUANTITY.
2. THE FIBERRUNNER 6x4 OUTSIDE VERTICAL RIGHT ANGLE FITTING IS DESIGNED WITH A MINIMUM 2" (50.8) BEND RADIUS TO PROTECT FIBER OPTIC CABLES.
3. DIMENSIONS IN PARENTHESES ARE IN METRIC.



B
←

B
→

A
←

A
→

REV	DATE	BY	CHK	APR	DESCRIPTION	ECN
04A	1-15-20	MES	DWR	DWR	L. ADDED FROVRA6X4L** PART NUMBER	V09002DZ/01

TITLE FIBERRUNNER 6x4 OUTSIDE VERTICAL RIGHT ANGLE FITTING (FROVRA6X4**, FROVRA6X4L**)			
ITEM REVISION NAME D37185E0/02			
DATASET FILE NAME D37185E0/02			
UNLESS OTHERWISE SPECIFIED, DIMENSIONAL TOLERANCES ARE: IN [mm]		MATERIAL: SEE PART NUMBER TABLE ABOVE	
.X ± .XX ± .03 [.8]		.XXX ± ANGLES ±	
		THIRD ANGLE PROJECTION	
DRAWN BY REWE	DATE 4-28-00	CHK HIW	SCALE NONE
DRAWING NUMBER: 37185-61		SIZE A	
SHT 1 OF 1			

GLOBAL-ASIZE