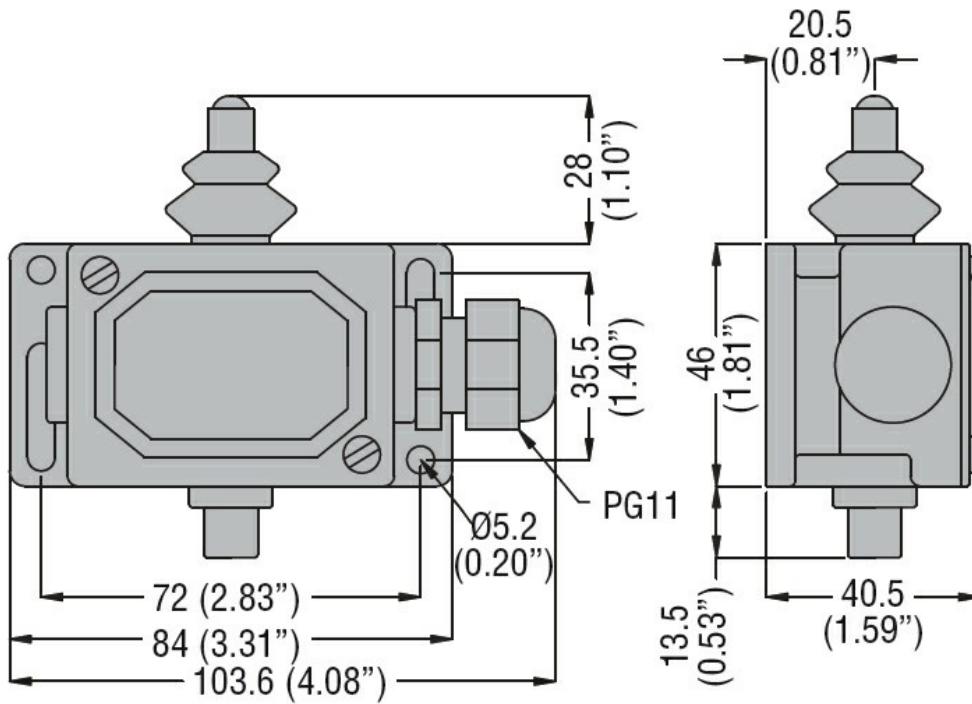
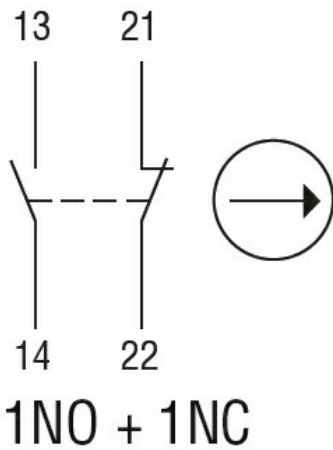




Product designation				Top push rod plunger
Product type designation				PLN...A
General characteristics				
Material	Housing			Aluminium-zinc alloy
Contact characteristics				
Type of contact				1NO+1NC
Thermal current I _{th}	A			10
Rated insulation voltage U _i	V			400
Short-circuit protection with fuse	Class/A			10 gG/SC QUICK FUSE
IEC Conventional free air thermal current I _{th}	A			10
Resistance per pole (average value)	mΩ			<10
Mechanical features				
Operating head fixing				Fixed
Tightening torque (Max)	Switch fixing			
				Nm 2.5
				lbin 22.1
Conductor section	AWG/Kcmil			
	max			14
	IEC			
	max			mm ² 2.5
Cable connection				Screw terminal with clamp
Cable entry				PG11 with cable gland
Weight	g			240
Operations				
Mechanical life	cycles			>10000000
Mechanical operation	cycles/h			3600
Ambient conditions				
Temperature	Operating temperature			
	min			°C -25
	max			°C +70
	Storage temperature			
	min			°C -40
	max			°C +70
Resistance & Protection				
IP degree	Body housing			IP65
Dimensions				



Wiring diagrams



Certifications and compliance

Compliance

EN 81-1.
 IEC/EN 60947-1
 IEC/EN 60947-5-1

Certificates

EAC

ETIM classification

ETIM 8.0

EC000030 - End switch