

Modicon

TM5 Communication Modules

Hardware Guide

09/2020



EIO0000003227.01

www.schneider-electric.com

Schneider
Electric™

The information provided in this documentation contains general descriptions and/or technical characteristics of the performance of the products contained herein. This documentation is not intended as a substitute for and is not to be used for determining suitability or reliability of these products for specific user applications. It is the duty of any such user or integrator to perform the appropriate and complete risk analysis, evaluation and testing of the products with respect to the relevant specific application or use thereof. Neither Schneider Electric nor any of its affiliates or subsidiaries shall be responsible or liable for misuse of the information contained herein. If you have any suggestions for improvements or amendments or have found errors in this publication, please notify us.

You agree not to reproduce, other than for your own personal, noncommercial use, all or part of this document on any medium whatsoever without permission of Schneider Electric, given in writing. You also agree not to establish any hypertext links to this document or its content. Schneider Electric does not grant any right or license for the personal and noncommercial use of the document or its content, except for a non-exclusive license to consult it on an "as is" basis, at your own risk. All other rights are reserved.

All pertinent state, regional, and local safety regulations must be observed when installing and using this product. For reasons of safety and to help ensure compliance with documented system data, only the manufacturer should perform repairs to components.

When devices are used for applications with technical safety requirements, the relevant instructions must be followed.

Failure to use Schneider Electric software or approved software with our hardware products may result in injury, harm, or improper operating results.

Failure to observe this information can result in injury or equipment damage.

© 2020 Schneider Electric. All rights reserved.

Table of Contents



	Safety Information	5
	About the Book	7
Part I	Modicon TM5 Communication Modules General Overview	13
Chapter 1	TM5 System General Rules for Implementing	15
	Installation and Maintenance Requirements	16
	Wiring Best Practices	19
	TM5 Environmental Characteristics	23
	Installation Guidelines	26
	Hot Swapping Electronic Modules	27
Chapter 2	TM5 Communication Modules General Overview	31
	General Description	32
	Physical Description	33
Part II	Modicon TM5 Communication Modules	37
Chapter 3	TM5SE1RS2 Communication Module	39
	TM5SE1RS2 Presentation	40
	TM5SE1RS2 Characteristics	43
	TM5SE1RS2 Wiring Diagram	45
Glossary	47
Index	51

Safety Information



Important Information

NOTICE

Read these instructions carefully, and look at the equipment to become familiar with the device before trying to install, operate, service, or maintain it. The following special messages may appear throughout this documentation or on the equipment to warn of potential hazards or to call attention to information that clarifies or simplifies a procedure.



The addition of this symbol to a “Danger” or “Warning” safety label indicates that an electrical hazard exists which will result in personal injury if the instructions are not followed.



This is the safety alert symbol. It is used to alert you to potential personal injury hazards. Obey all safety messages that follow this symbol to avoid possible injury or death.

DANGER

DANGER indicates a hazardous situation which, if not avoided, **will result in death** or serious injury.

WARNING

WARNING indicates a hazardous situation which, if not avoided, **could result in death** or serious injury.

CAUTION

CAUTION indicates a hazardous situation which, if not avoided, **could result** in minor or moderate injury.

NOTICE

NOTICE is used to address practices not related to physical injury.

PLEASE NOTE

Electrical equipment should be installed, operated, serviced, and maintained only by qualified personnel. No responsibility is assumed by Schneider Electric for any consequences arising out of the use of this material.

A qualified person is one who has skills and knowledge related to the construction and operation of electrical equipment and its installation, and has received safety training to recognize and avoid the hazards involved.

QUALIFICATION OF PERSONNEL

Only appropriately trained persons who are familiar with and understand the contents of this manual and all other pertinent product documentation are authorized to work on and with this product.

The qualified person must be able to detect possible hazards that may arise from parameterization, modifying parameter values and generally from mechanical, electrical, or electronic equipment. The qualified person must be familiar with the standards, provisions, and regulations for the prevention of industrial accidents, which they must observe when designing and implementing the system.

INTENDED USE

The products described or affected by this document, together with software, accessories, and options, are expansion modules, intended for industrial use according to the instructions, directions, examples, and safety information contained in the present document and other supporting documentation.

The product may only be used in compliance with all applicable safety regulations and directives, the specified requirements, and the technical data.

Prior to using the product, you must perform a risk assessment in view of the planned application. Based on the results, the appropriate safety-related measures must be implemented.

Since the product is used as a component in an overall machine or process, you must ensure the safety of persons by means of the design of this overall system.

Operate the product only with the specified cables and accessories. Use only genuine accessories and spare parts.

Any use other than the use explicitly permitted is prohibited and can result in unanticipated hazards.

About the Book



At a Glance

Document Scope

This manual describes the hardware implementation of the Modicon TM5 communication modules. It provides parts descriptions, specifications, wiring diagrams, installation and setup for Modicon TM5 communication modules.

Validity Note

This document has been updated for the release of EcoStruxure™ Machine Expert V1.2.5. The technical characteristics of the devices described in the present document also appear online. To access the information online:

Step	Action
1	Go to the Schneider Electric home page www.schneider-electric.com .
2	In the Search box type the reference of a product or the name of a product range. <ul style="list-style-type: none">● Do not include blank spaces in the reference or product range.● To get information on grouping similar modules, use asterisks (*).
3	If you entered a reference, go to the Product Datasheets search results and click on the reference that interests you. If you entered the name of a product range, go to the Product Ranges search results and click on the product range that interests you.
4	If more than one reference appears in the Products search results, click on the reference that interests you.
5	Depending on the size of your screen, you may need to scroll down to see the datasheet.
6	To save or print a datasheet as a .pdf file, click Download XXX product datasheet .

The characteristics that are described in the present document should be the same as those characteristics that appear online. In line with our policy of constant improvement, we may revise content over time to improve clarity and accuracy. If you see a difference between the document and online information, use the online information as your reference.

For product compliance and environmental information (RoHS, REACH, PEP, EOLI, etc.), go to www.schneider-electric.com/green-premium.

Related Documents

Title of Documentation	Reference Number
Modicon TM5 Expansion Modules Configuration Programming Guide	<i>EIO0000003179 (ENG)</i> <i>EIO0000003180 (FRE)</i> <i>EIO0000003181 (GER)</i> <i>EIO0000003182 (SPA)</i> <i>EIO0000003183 (ITA)</i> <i>EIO0000003184 (CHS)</i>
Modicon TM5 / TM7 Flexible System - System Planning and Installation Guide	<i>EIO0000003161 (ENG)</i> <i>EIO0000003162 (FRE)</i> <i>EIO0000003163 (GER)</i> <i>EIO0000003164 (SPA)</i> <i>EIO0000003165 (ITA)</i> <i>EIO0000003166 (CHS)</i>

You can download these technical publications and other technical information from our website at <https://www.se.com/ww/en/download/> .

Product Related Information

DANGER

HAZARD OF ELECTRIC SHOCK, EXPLOSION OR ARC FLASH

- Disconnect all power from all equipment including connected devices prior to removing any covers or doors, or installing or removing any accessories, hardware, cables, or wires except under the specific conditions specified in the appropriate hardware guide for this equipment.
- Always use a properly rated voltage sensing device to confirm the power is off where and when indicated.
- Replace and secure all covers, accessories, hardware, cables, and wires and confirm that a proper ground connection exists before applying power to the unit.
- Use only the specified voltage when operating this equipment and any associated products.

Failure to follow these instructions will result in death or serious injury.

DANGER

POTENTIAL FOR EXPLOSION

- Only use this equipment in non-hazardous locations, or in locations that comply with Class I, Division 2, Groups A, B, C and D.
- Do not substitute components which would impair compliance to Class I, Division 2.
- Do not connect or disconnect equipment unless power has been removed or the location is known to be non-hazardous.
- Do not use the USB port(s), if so equipped, unless the location is known to be non-hazardous.

Failure to follow these instructions will result in death or serious injury.

WARNING

UNINTENDED EQUIPMENT OPERATION

- Use appropriate safety interlocks where personnel and/or equipment hazards exist.
- Install and operate this equipment in an enclosure appropriately rated for its intended environment and secured by a keyed or tooled locking mechanism.
- Use the sensor and actuator power supplies only for supplying power to the sensors or actuators connected to the module.
- Power line and output circuits must be wired and fused in compliance with local and national regulatory requirements for the rated current and voltage of the particular equipment.
- Do not use this equipment in safety-critical machine functions unless the equipment is otherwise designated as functional safety equipment and conforming to applicable regulations and standards.
- Do not disassemble, repair, or modify this equipment.
- Do not connect any wiring to unused connections, or to connections designated as No Connection (N.C.).

Failure to follow these instructions can result in death, serious injury, or equipment damage.

WARNING

POTENTIAL OF OVERHEATING AND FIRE

- Do not connect the modules directly to line voltage.
- Use only isolating PELV systems according to IEC 61140 to supply power to the modules.

Failure to follow these instructions can result in death, serious injury, or equipment damage.

Terminology Derived from Standards

The technical terms, terminology, symbols and the corresponding descriptions in this manual, or that appear in or on the products themselves, are generally derived from the terms or definitions of international standards.

The technical terms, terminology, symbols and the corresponding descriptions in this manual, or that appear in or on the products themselves, are generally derived from the terms or definitions of international standards.

Among others, these standards include:

Standard	Description
IEC 61131-2:2007	Programmable controllers, part 2: Equipment requirements and tests.
ISO 13849-1:2015	Safety of machinery: Safety related parts of control systems. General principles for design.
EN 61496-1:2013	Safety of machinery: Electro-sensitive protective equipment. Part 1: General requirements and tests.
ISO 12100:2010	Safety of machinery - General principles for design - Risk assessment and risk reduction
EN 60204-1:2006	Safety of machinery - Electrical equipment of machines - Part 1: General requirements
ISO 14119:2013	Safety of machinery - Interlocking devices associated with guards - Principles for design and selection
ISO 13850:2015	Safety of machinery - Emergency stop - Principles for design
IEC 62061:2015	Safety of machinery - Functional safety of safety-related electrical, electronic, and electronic programmable control systems
IEC 61508-1:2010	Functional safety of electrical/electronic/programmable electronic safety-related systems: General requirements.
IEC 61508-2:2010	Functional safety of electrical/electronic/programmable electronic safety-related systems: Requirements for electrical/electronic/programmable electronic safety-related systems.
IEC 61508-3:2010	Functional safety of electrical/electronic/programmable electronic safety-related systems: Software requirements.
IEC 61784-3:2016	Industrial communication networks - Profiles - Part 3: Functional safety fieldbuses - General rules and profile definitions.
2006/42/EC	Machinery Directive
2014/30/EU	Electromagnetic Compatibility Directive
2014/35/EU	Low Voltage Directive

In addition, terms used in the present document may tangentially be used as they are derived from other standards such as:

Standard	Description
IEC 60034 series	Rotating electrical machines
IEC 61800 series	Adjustable speed electrical power drive systems
IEC 61158 series	Digital data communications for measurement and control – Fieldbus for use in industrial control systems

Finally, the term *zone of operation* may be used in conjunction with the description of specific hazards, and is defined as it is for a *hazard zone* or *danger zone* in the *Machinery Directive (2006/42/EC)* and *ISO 12100:2010*.

NOTE: The aforementioned standards may or may not apply to the specific products cited in the present documentation. For more information concerning the individual standards applicable to the products described herein, see the characteristics tables for those product references.

Part I

Modicon TM5 Communication Modules General Overview

What Is in This Part?

This part contains the following chapters:

Chapter	Chapter Name	Page
1	TM5 System General Rules for Implementing	15
2	TM5 Communication Modules General Overview	31

Chapter 1

TM5 System General Rules for Implementing

What Is in This Chapter?

This chapter contains the following topics:

Topic	Page
Installation and Maintenance Requirements	16
Wiring Best Practices	19
TM5 Environmental Characteristics	23
Installation Guidelines	26
Hot Swapping Electronic Modules	27

Installation and Maintenance Requirements

Before Starting

Read and understand this chapter before beginning the installation of your TM5 System.

The use and application of the information contained herein require expertise in the design and programming of automated control systems. Only you, the user, machine builder or integrator, can be aware of all the conditions and factors present during installation and setup, operation, and maintenance of the machine or process, and can therefore determine the automation and associated equipment and the related safeties and interlocks which can be effectively and properly used. When selecting automation and control equipment, and any other related equipment or software, for a particular application, you must also consider any applicable local, regional or national standards and/or regulations.

Pay particular attention in conforming to any safety information, different electrical requirements, and normative standards that would apply to your machine or process in the use of this equipment.

NOTICE

ELECTROSTATIC DISCHARGE

- Store all components in their protective packaging until immediately before assembly.
- Never touch exposed conductive parts such as contacts or terminals.

Failure to follow these instructions can result in equipment damage.

Disconnecting Power

All options and modules should be assembled and installed before installing the control system on a mounting rail, onto a mounting plate or in a panel. Remove the control system from its mounting rail, mounting plate or panel before disassembling the equipment.


DANGER

HAZARD OF ELECTRIC SHOCK, EXPLOSION OR ARC FLASH


- Disconnect all power from all equipment including connected devices prior to removing any covers or doors, or installing or removing any accessories, hardware, cables, or wires except under the specific conditions specified in the appropriate hardware guide for this equipment.
- Always use a properly rated voltage sensing device to confirm the power is off where and when indicated.
- Replace and secure all covers, accessories, hardware, cables, and wires and confirm that a proper ground connection exists before applying power to the unit.
- Use only the specified voltage when operating this equipment and any associated products.


Failure to follow these instructions will result in death or serious injury.

Programming Considerations

 WARNING
<p>UNINTENDED EQUIPMENT OPERATION</p> <ul style="list-style-type: none"> ● Only use software approved by Schneider Electric for use with this equipment. ● Update your application program every time you change the physical hardware configuration. <p>Failure to follow these instructions can result in death, serious injury, or equipment damage.</p>

Operating Environment

 DANGER
<p>POTENTIAL FOR EXPLOSION</p> <ul style="list-style-type: none"> ● Only use this equipment in non-hazardous locations, or in locations that comply with Class I, Division 2, Groups A, B, C and D. ● Do not substitute components which would impair compliance to Class I, Division 2. ● Do not connect or disconnect equipment unless power has been removed or the location is known to be non-hazardous. ● Do not use the USB port(s), if so equipped, unless the location is known to be non-hazardous. <p>Failure to follow these instructions will result in death or serious injury.</p>

 WARNING
<p>UNINTENDED EQUIPMENT OPERATION</p> <p>Install and operate this equipment according to the conditions described in the Environmental Characteristics.</p> <p>Failure to follow these instructions can result in death, serious injury, or equipment damage.</p>

Installation Considerations

WARNING

UNINTENDED EQUIPMENT OPERATION

- Use appropriate safety interlocks where personnel and/or equipment hazards exist.
- Install and operate this equipment in an enclosure appropriately rated for its intended environment and secured by a keyed or tooled locking mechanism.
- Use the sensor and actuator power supplies only for supplying power to the sensors or actuators connected to the module.
- Power line and output circuits must be wired and fused in compliance with local and national regulatory requirements for the rated current and voltage of the particular equipment.
- Do not use this equipment in safety-critical machine functions unless the equipment is otherwise designated as functional safety equipment and conforming to applicable regulations and standards.
- Do not disassemble, repair, or modify this equipment.
- Do not connect any wiring to reserved, unused connections, or to connections designated as No Connection (N.C.).

Failure to follow these instructions can result in death, serious injury, or equipment damage.

NOTE: JDYX2 or JDYX8 fuse types are UL-recognized and CSA approved.

Wiring Best Practices

Introduction

There are several rules that must be followed when wiring the TM5 System.

Wiring Rules



HAZARD OF ELECTRIC SHOCK, EXPLOSION OR ARC FLASH

- Disconnect all power from all equipment including connected devices prior to removing any covers or doors, or installing or removing any accessories, hardware, cables, or wires except under the specific conditions specified in the appropriate hardware guide for this equipment.
- Always use a properly rated voltage sensing device to confirm the power is off where and when indicated.
- Replace and secure all covers, accessories, hardware, cables, and wires and confirm that a proper ground connection exists before applying power to the unit.
- Use only the specified voltage when operating this equipment and any associated products.

Failure to follow these instructions will result in death or serious injury.

The following rules must be applied when wiring the TM5 System:

- I/O and communication wiring must be kept separate from the power wiring. Route these 2 types of wiring in separate cable ducting.
- Verify that the operating conditions and environment are within the specification values.
- Use proper wire sizes to meet voltage and current requirements.
- Use copper conductors only.
- Use twisted pair, shielded cables for analog, expert, or fast I/O and TM5 bus signals.
- Use twisted pair, shielded cables for encoder, networks and fieldbus (CAN, serial, Ethernet).

Use shielded, properly grounded cables for all analog and high-speed inputs or outputs and communication connections. If you do not use shielded cable for these connections, electromagnetic interference can cause signal degradation. Degraded signals can cause the controller or attached modules and equipment to perform in an unintended manner.

⚠ WARNING

UNINTENDED EQUIPMENT OPERATION

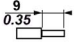


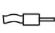

- Use shielded cables for all fast I/O, analog I/O and communication signals.
- Ground cable shields for all analog I/O, fast I/O and communication signals at a single point¹.
- Route communication and I/O cables separately from power cables.

Failure to follow these instructions can result in death, serious injury, or equipment damage.

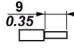
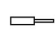
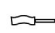
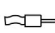
¹Multipoint grounding is permissible if connections are made to an equipotential ground plane dimensioned to help avoid cable shield damage in the event of power system short-circuit currents.

Refer to the section Grounding the TM5 System to ground the shielded cables.

This table provides the wire sizes to use with the removable spring terminal blocks (TM5ACTB06, TM5ACTB12, TM5ACTB12, TM5ACTB12PS, TM5ACTB32):

$\frac{\text{mm}}{\text{in.}}$ 				
mm ²	0,08...2,5	0,25...2,5	0,25...1,5	2 x 0,25...2 x 0,75
AWG	28...14	24...14	24...16	2 x 24...2 x 18

This table provides the wire sizes to use with the TM5ACTB16 terminal blocks:

$\frac{\text{mm}}{\text{in.}}$ 			
mm ²	0,08...1,5	0,25...1,5	0,25...0,75
AWG	28...16	24...16	24...20

⚠ DANGER

FIRE HAZARD

Use only the correct wire sizes for the maximum current capacity of the I/O channels and power supplies.

Failure to follow these instructions will result in death or serious injury.

The spring clamp connectors of the terminal block are designed for only one wire or one cable end. Two wires to the same connector must be installed with a double wire cable end to help prevent loosening.

  **DANGER**

LOOSE WIRING CAUSES ELECTRIC SHOCK

Do not insert more than one wire per connector of the spring terminal blocks unless using a double wire cable end (ferrule).

Failure to follow these instructions will result in death or serious injury.

TM5 Terminal Block

Inserting an incorrect terminal block into the electronic module can cause unintended operation of the application and/or damage the electronic module.

  **DANGER**

ELECTRIC SHOCK OR UNINTENDED EQUIPMENT OPERATION

Connect the terminal blocks to their designated location.

Failure to follow these instructions will result in death or serious injury.

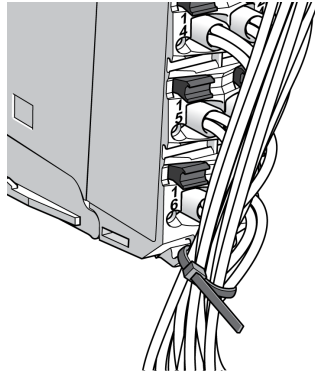
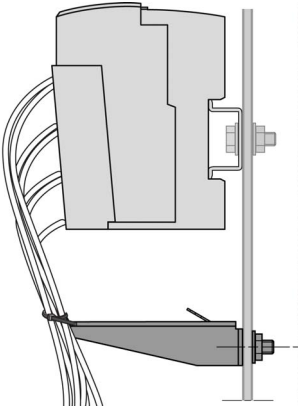
NOTE: To help prevent a terminal block from being inserted incorrectly, ensure that each terminal block and electronic module is clearly and uniquely coded.

TM5 Strain Relief Using Cable Tie

There are 2 methods to reduce the stress on cables:

- The terminal blocks have slots to attach cable ties. A cable tie can be fed through this slot to secure cables and wires to reduce stress between them and the terminal block connections.
- After grounding the TM5 System by means of the grounding plate TM2XMTGB, wires can be bundled and affixed to the grounding plate tabs using wire ties to reduce stress on the cables.

The following table provides the size of the cable tie and presents the two methods to reduce the stress on the cables:

Cable Tie Size	Terminal Block	TM2XMTGB Grounding Plate
Thickness	1.2 mm (0.05 in.) maximum	1.2 mm (0.05 in.)
Width	4 mm (0.16 in.) maximum	2.5...3 mm (0.1...0.12 in.)
Mounting illustration		

⚠ WARNING

ACCIDENTAL DISCONNECTION FROM PROTECTIVE GROUND (PE)

- Do not use the TM2XMTGB Grounding Plate to provide a protective ground (PE).
- Use the TM2XMTGB Grounding Plate only to provide a functional ground (FE).

Failure to follow these instructions can result in death, serious injury, or equipment damage.

TM5 Environmental Characteristics

Enclosure Requirements

TM5 components are designed as Zone B, Class A industrial equipment according to IEC/CISPR Publication 11. If they are used in environments other than those described in the standard, or in environments that do not meet the specifications in this manual, your ability to meet electromagnetic compatibility requirements in the presence of conducted and/or radiated interference may be reduced.

The TM5 components meet European Community (CE) requirements for open equipment as defined by EN61131-2. You must install them in an enclosure designed for the specific environmental conditions and to minimize the possibility of unintended contact with hazardous voltages. The enclosure should be constructed of metal to improve the electromagnetic immunity of your TM5 System. The enclosure should, and in the case of UL compliance, must, have a keyed locking mechanism to minimize unauthorized access.

Environmental Characteristics

This equipment meets UL and CSA certifications. It is intended for use in a Pollution Degree 2 industrial environment.

The table below provides the general environmental characteristics:

Characteristic	Minimum Specification	Tested Range	
Standard	IEC61131-2	–	
Agencies	UL 508 CSA 22.2 No. 142-M1987 CSA 22.2 No. 213-M1987	–	
Ambient operating temperature	–	Horizontal installation	0...55 °C (32...131 °F)
	–	Vertical installation	0...50 °C (32...122 °F)
Storage temperature	–	-25...70 °C (-13...158 °F)	
Relative humidity	–	5...95% (non-condensing)	
Degree of pollution	IEC60664	2	
Degree of protection	IEC61131-2	IP20	
Corrosion immunity	None	–	
Operating altitude	–	0...2000 m (0...6.560 ft.)	
Storage altitude	–	0...3000 m (0...9.842 ft.)	

NOTE: The tested ranges may indicate values beyond that of the IEC Standard. However, our internal standards define what is necessary for industrial environments. In all cases, we uphold the minimum specification if indicated.

Characteristic		Minimum Specification	Tested Range
Vibration resistance		–	Mounted on a DIN rail 3.5 mm (0.138 in.) fixed amplitude from 5...8.4 Hz 9.8 m/s ² (1 g _n) fixed acceleration from 8.4...150 Hz
Mechanical shock resistance		–	147 m/s ² (15 g _n) for a duration of 11 ms
Connection type	Removable spring terminal block	–	–
Connector insertion/removal cycles		–	50
<p>NOTE: The tested ranges may indicate values beyond that of the IEC Standard. However, our internal standards define what is necessary for industrial environments. In all cases, we uphold the minimum specification if indicated.</p>			

Electromagnetic Susceptibility

The following table provides the TM5 System electromagnetic susceptibility specifications:

Characteristic		Minimum Specification	Tested Range
Electrostatic discharge		IEC/EN 61000-4-2	8 kV (air discharge), criteria B 4 kV (contact discharge), criteria B
Electromagnetic fields		IEC/EN 61000-4-3	10 V/m (80 MHz...2 GHz), criteria A 10 V/m (80 MHz...2.7 GHz) ⁽¹⁾
Fast transients burst		IEC/EN 61000-4-4	Power lines: 2 kV, criteria B I/O: 1 kV, criteria B Shielded cable: 1 kV, criteria B Repetition rate: 5 and 100 KHz
Surge immunity 24 Vdc circuit		IEC/EN 61000-4-5	1 kV in common mode, criteria B 0.5 kV in differential mode, criteria B
Surge immunity 230 Vac circuit		IEC/EN 61000-4-5	2 kV in common mode, criteria B 1 kV in differential mode, criteria B
Induced electromagnetic field		IEC/EN 61000-4-6	10 V _{eff} (0.15...80 MHz), criteria A
Conducted emission		EN 55011 (IEC/CISPR11)	150...500 kHz, quasi peak 79 dB (μV) 500 kHz...30 MHz, quasi peak 73 dB (μV)
Radiated emission		EN 55011 (IEC/CISPR11)	30...230 MHz, 10 m@40 dB (μV/m) 230 MHz...1 GHz, 10 m@47 dB (μV/m)
<p>Criteria A Uninterrupted operation during test. Criteria B Brief interruption during the test allowed. (1) Applies for TM5SE11C20005 and TM5SE1MISC20005.</p>			
<p>NOTE: The tested ranges may indicate values beyond that of the IEC Standard. However, our internal standards define what is necessary for industrial environments. In all cases, we uphold the minimum specification if indicated.</p>			

 **WARNING**

RISK OF ELECTROMAGNETIC DISTURBANCES OF SIGNALS AND DEVICES

Use proper EMC shielding techniques to help prevent unexpected device operation.

Failure to follow these instructions can result in death, serious injury, or equipment damage.

Installation Guidelines

Installation

The following table provides documentation references for spacing requirements and installation of electronic modules and accessories:

Spacing requirement	For mounting positions and minimum clearances, the electronic modules are mounted according to the rules defined for the controllers. Refer to the <i>Enclosing the TM5 System (see Modicon TM5 / TM7 Flexible System, System Planning and Installation Guide)</i> .
Electronic modules installation	Refer to: <ul style="list-style-type: none"> ● <i>TM5 Association Table (see Modicon TM5 / TM7 Flexible System, System Planning and Installation Guide)</i>. ● <i>Expanding the TM5 System (see Modicon TM5 / TM7 Flexible System, System Planning and Installation Guide)</i>.
Accessories installation	Refer to the <i>Installation of Accessories (see Modicon TM5 / TM7 Flexible System, System Planning and Installation Guide)</i> .

Hot Swapping Electronic Modules

Definition

Hot swapping is the ability to remove an I/O electronic module from its bus base and then replace it with an identical electronic module while the TM5 System is under power without disrupting the normal operations of the controller. When the electronic module is returned to its bus base or replaced with another electronic module with the same reference, it starts to operate again.

Hot Swapping Considerations

Before initiating a hot swap operation, confirm that the electronic module type is approved for hot swapping (*see page 29*).

When removing or inserting an I/O module while power is applied, remove and insert the electronic module by hand. Do not use tools to hot swap modules because they may come into contact with hazardous voltages. Also, remove any locking clips and the terminal block before removing the electronic module from its bus base. Hot swapping is only allowed when replacing identical electronic modules.



EXPLOSION OR ELECTRIC SHOCK

- Only perform a hot swap operation in locations known and confirmed to be non-hazardous.
- Use only your hands.
- Do not use any metal tools.
- Do not disconnect any wires from the terminal block.
- Only replace an electronic module with an identical reference.

Failure to follow these instructions will result in death or serious injury.

NOTE: Only the electronic module is hot swap-able. Do not attempt a hot swap operation on the bus base, or on electronic modules that are integrated with their bus bases such as the compact I/O.

You need to understand and plan for the effects of hot-swapping certain modules. Hot-swapping modules that control power distribution to other modules, for example, can impact your machine or process. Power Distribution modules, Interface Power Distribution Modules, Common Distribution modules, Field Bus Interface Modules, and Transmitter and Receiver modules all either distribute power or communications to other electronic modules. Disconnecting the connector to these modules will interrupt power or communications to the modules they service.

For example, some Power Distribution Modules (PDMs) provide power to both the TM5 power bus and 24 Vdc I/O power segment. It is possible that you may need to replace the PDM because one service is inoperable, but not both. In this case, hot-swapping the PDM would interrupt the service that is still operating, and would interrupt power to the modules drawing power from that service.

I/O configurations that employ Common Distribution modules require careful consideration when wiring is restricted by short wire lengths. It may be the case that in order to hot-swap an electronic module that has become inoperable, you need to disconnect the connector of the Common module servicing it. Further, that same Common module may be connected to modules or devices other than the module you wish to hot-swap. Disconnecting the Common module in this case would necessarily interrupt the supply to the unaffected modules and/or devices. Be sure that you know what I/O slices or devices are connected to the Common module, and the impact that this disconnection would have on your machine or process before attempting a hot-swap operation.

WARNING

LOSS OF CONTROL

- The designer of any control scheme must consider the potential failure modes of control paths and, for certain critical control functions, provide a means to achieve a safe state during and after a path failure. Examples of critical control functions are emergency stop and overtravel stop, power outage and restart.
- Separate or redundant control paths must be provided for critical control functions.
- System control paths may include communication links. Consideration must be given to the implications of unanticipated transmission delays or failures of the link.
- Observe all accident prevention regulations and local safety guidelines.¹
- Each implementation of this equipment must be individually and thoroughly tested for proper operation before being placed into service.

Failure to follow these instructions can result in death, serious injury, or equipment damage.

¹ For additional information, refer to NEMA ICS 1.1 (latest edition), "Safety Guidelines for the Application, Installation, and Maintenance of Solid State Control" and to NEMA ICS 7.1 (latest edition), "Safety Standards for Construction and Guide for Selection, Installation and Operation of Adjustable-Speed Drive Systems" or their equivalent governing your particular location.

NOTE: Be sure you thoroughly understand the effects of a hot-swap operation on all modules and connected devices as they relate to your machine or process.

Modules that are not Hot Swap-able

Electronic modules that can not be hot swapped under any circumstances include:

TM5	Electronic Modules Type	Reasons
Controller	PCI communication	The replacement of the PCI communication module requires a power cycle before it will recognized by the controller.
	Controller Power Distribution Module	These modules are not removable.
	Embedded I/O Modules	
Field bus interface	CANopen interface module	The replacement of the CANopen interface module depends on CANopen master architecture. Refer to the Generic CANopen Implementation Guide and documentation associated with the CANopen master.
Compact I/O	I/O modules	These modules are not removable.

Chapter 2

TM5 Communication Modules General Overview

What Is in This Chapter?

This chapter contains the following topics:

Topic	Page
General Description	32
Physical Description	33

General Description

Communication Modules Features

The communication module TM5SE1RS2 is used to connect complex devices of the TM5 System. It provides an RS-232 interface for serial, remote connection of complex devices to the TM5 System.

The following table shows the TM5SE1RS2 main features:

Reference	Interface	Max. Transmission Rate
TM5SE1RS2 (<i>see page 39</i>)	1 x RS-232	115.2 kBit/s

RS-232 Interface Characteristics

The following table describes the characteristics of the RS-232 interface:

RS-232 Interface Characteristics		
FIFO		Software (1 kbyte)
Maximum distance		15 m (590.55 in.) / 19200 bit/s
Handshake lines		<ul style="list-style-type: none"> ● RTS ● CTS
Network capable		No
Data formats	data bits	7 to 8
	parity	yes / no / even / odd / forced high / forced low
	stop bits	1 / 2

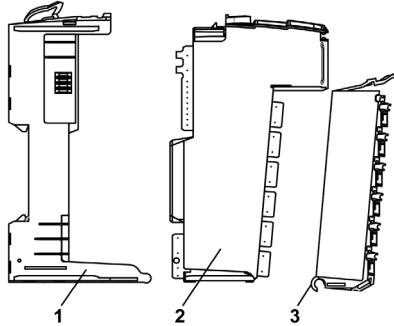
Physical Description

Introduction

Each slice consists of three elements. These elements are the bus base, the electronic module and the terminal block.

Elements

The following illustration shows the elements of a slice.



- 1 Bus base
- 2 Electronic module
- 3 Terminal block

When assembled the three components form an integral unit that resists vibration and electrostatic discharge.

NOTICE

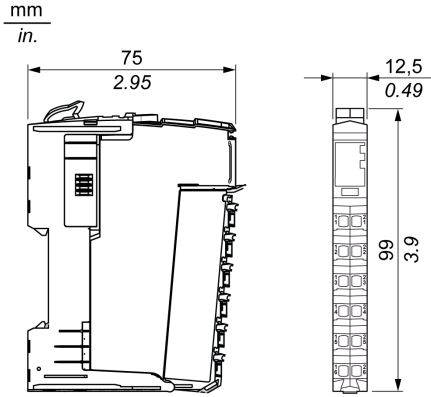
ELECTROSTATIC DISCHARGE

- Never touch the contacts of the electronic module.
- Always keep the connector in place during normal operation.

Failure to follow these instructions can result in equipment damage.

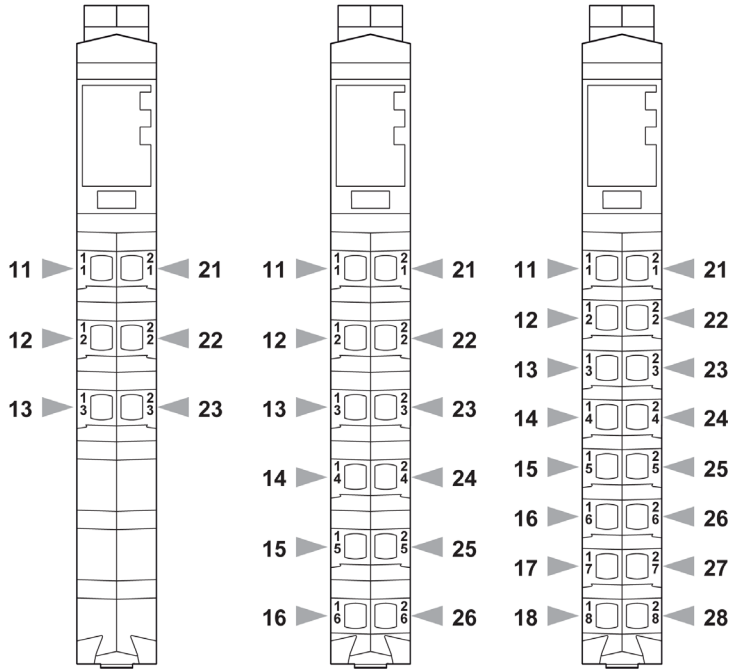
Dimensions

The following illustration shows the dimensions of a slice:



Pin Assignment

The following illustration shows the pin assignments respectively for the 6-pin, 12-pin and the 16-pin terminal blocks:



Accessories

Refer to the *Installation of Accessories (see Modicon TM5 / TM7 Flexible System, System Planning and Installation Guide)*.

Labeling

Refer to the *Labeling the TM5 System (see Modicon TM5 / TM7 Flexible System, System Planning and Installation Guide)*.

Part II

Modicon TM5 Communication Modules

Chapter 3

TM5SE1RS2 Communication Module

What Is in This Chapter?

This chapter contains the following topics:

Topic	Page
TM5SE1RS2 Presentation	40
TM5SE1RS2 Characteristics	43
TM5SE1RS2 Wiring Diagram	45

TM5SE1RS2 Presentation

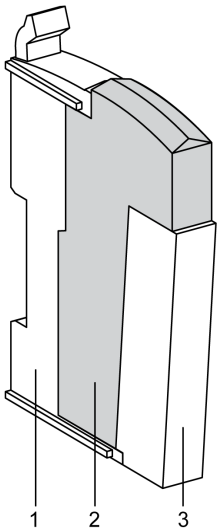
Main Characteristics

The following table describes the main characteristics of the TM5SE1RS2 electronic module:

Main Characteristics	
Function	Communication module
Interface	1 RS-232 interface for serial, remote connection of complex devices to the TM5 System
Maximum transfer rate	115.2 kBit/s

Ordering Information

The following illustration shows the TM5SE1RS2 electronic module in combination with the required accessories that require a spacing of 12.5 mm (+ 0.2 mm) (0.49 in. (+ 0.2 in.)).



NOTICE

ELECTROSTATIC DISCHARGE

- Install a right bus base locking plate to the rightmost slice of all configurations.
- Install a left bus base locking plate to the first slice of all remote configurations.

Failure to follow these instructions can result in equipment damage.

The following table shows the reference for the electronic module:

Number	Reference	Description	Color
2	TM5SE1RS2	Electronic module	White

The following table shows the references for required accessories:

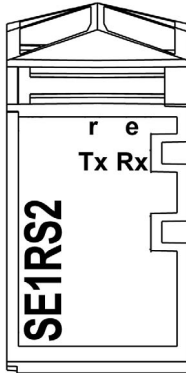
Number	Reference	Description	Color
1	TM5ACBM11	TM5 bus module	White
3	TM5ACTB06	TM5 terminal block, 6 pins	White
	or TM5ACTB12	TM5 terminal block, 12 pins	White

NOTE: Order these accessories separately.

NOTE: For more information, refer to *TM5 bus bases and terminal blocks (see Modicon TM5 / TM7 Flexible System, System Planning and Installation Guide)*.

Status LEDs

The following illustration shows the status LEDs for TM5SE1RS2:



The following table shows the TM5SE1RS2 status LEDs:

LED	Color	Status	Description
r	Green	Off	Module supply not connected.
		Single flash	Reset mode
		Flashing	Preoperational mode
		On	RUN mode
e	Red	Off	Module supply not connected or OK.
		On	Detected error or reset state

LED	Color	Status	Description
e+r	Steady red / single green flash		Invalid firmware
Tx	Yellow	On	The module is sending data by means of the RS-232 interface.
Rx	Yellow	On	The module is receiving data by means of the RS-232 interface.

TM5SE1RS2 Characteristics

Introduction

The TM5SE1RS2 is a communication module. Refer to the environmental characteristics (*see page 23*).

WARNING

UNINTENDED EQUIPMENT OPERATION

Do not exceed any of the rated values specified in the environmental and electrical characteristics tables.

Failure to follow these instructions can result in death, serious injury, or equipment damage.

General Characteristics

The following table describes the general characteristics of the TM5SE1RS2 electronic module:

General Characteristics		
Status indicators		<ul style="list-style-type: none"> ● Data transfer ● Operating status ● Module status
Diagnostics	Module run and detected error	Indicated by status LED and software status
	Data transfer	Indicated by status LED
Electrical isolation	Bus	Yes
	I/O supply	No
Power consumption	Bus	0.01 W
	I/O internal	1.44 W
Certification		<ul style="list-style-type: none"> ● CE ● cULus
ID code for firmware update		8143 dec

Operating Conditions

The following table describes the operating conditions of the TM5SE1RS2 electronic module:

Operating Conditions		
Operating temperature	Horizontal installation	0...+60° C (+32...140° F)
	Vertical installation	0...+60° C (+32...140° F)
Relative humidity		5 to 95%, non-condensing
Mounting orientation		Horizontal or vertical
Isolation at altitudes above sea level	0 up to 2000 m (0 up to 6561 ft.)	No derating
	> 2000 m (>6561 ft.)	Reduction of ambient temperature by 0.5° C per 100 m (32.9° F per 328 ft.)
Degree of protection		IP20

Storage and Transport Conditions

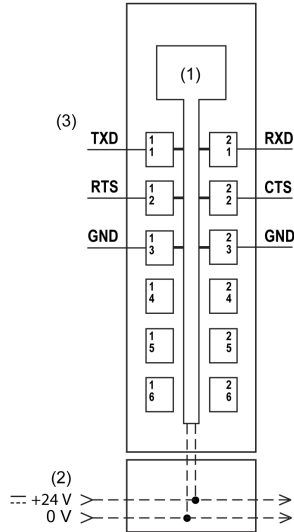
The following table describes the storage and transport conditions of the TM5SE1RS2 electronic module:

Storage and Transport Conditions	
Temperature	-25...+70° C (-13...+158° F)
Relative humidity	5 to 95%, non-condensing

TM5SE1RS2 Wiring Diagram

Wiring Diagram

The following illustration shows the wiring diagram for the TM5SE1RS2:



- (1) Internal electronics
 - (2) 24 Vdc I/O power segment integrated into the bus bases
 - (3) 1 x RS-232 interface, max. 115.2 kBit/s
- TXD** Transmit Data
RTS Request to Send
RXD Receive Data
CTS Clear to Send
GND Ground

 **WARNING**

UNINTENDED EQUIPMENT OPERATION

- Use appropriate safety interlocks where personnel and/or equipment hazards exist.
- Install and operate this equipment in an enclosure appropriately rated for its intended environment and secured by a keyed or tooled locking mechanism.
- Use the sensor and actuator power supplies only for supplying power to the sensors or actuators connected to the module.
- Power line and output circuits must be wired and fused in compliance with local and national regulatory requirements for the rated current and voltage of the particular equipment.
- Do not use this equipment in safety-critical machine functions unless the equipment is otherwise designated as functional safety equipment and conforming to applicable regulations and standards.
- Do not disassemble, repair, or modify this equipment.
- Do not connect any wiring to reserved, unused connections, or to connections designated as No Connection (N.C.).

Failure to follow these instructions can result in death, serious injury, or equipment damage.

 **WARNING**

UNINTENDED EQUIPMENT OPERATION

Properly ground the cable shields as indicated in the related documentation.

Failure to follow these instructions can result in death, serious injury, or equipment damage.



B

bus base

A *bus base* is a mounting device that is designed to seat an electronic module on a DIN rail and connect it to the TM5 bus for M258 and LMC058 controllers. Each base bus extends the TM5 data and to the power buses and the 24 Vdc I/O power segment. The electronic modules are added to the TM5 system through their insertion on the base bus. The base bus also supplies the articulation point for the terminal blocks.

C

CANopen

CANopen is an open industry-standard communication protocol and device profile specification.

compact I/O module

A *compact I/O module* is an indissociable group of five analog and/or digital I/O electronic modules in a single reference.

configuration

The *configuration* includes the arrangement and interconnection of hardware components within a system and the hardware and software selections that determine the operating characteristics of the system.

controller

A *controller* (or “programmable logic controller,” or “programmable controller”) is used to automate industrial processes.

CSA

The *canadian standards association* defines and maintains standards for industrial electronic equipment in hazardous environments.

CTS

Clear to send is a data transmission signal and acknowledges the RDS signal from the transmitting station.

E

electronic module

In a programmable controller system, most electronic modules directly interface to the sensors, actuators, and external devices of the machine/process. This electronic module is the component that mounts in a bus base and provides electrical connections between the controller and the field devices. Electronic modules are offered in a variety of signal levels and capacities. (Some electronic modules are not I/O interfaces, including power distribution modules and transmitter/receiver modules.)

F

firmware

The *firmware* represents the operating system on a controller.

H

hot swapping

Hot swapping is the replacement of a component with a like component while the system remains operational. The replacement component begins to function automatically after it is installed.

I

I/O

input/output

L

LED

A *light emitting diode* is an indicator that lights up when electricity passes through it.

P

PCI

A *peripheral component interconnect* is an industry-standard bus for attaching peripherals.

PDM

A *power distribution module* distributes either AC or DC field power to a cluster of I/O modules.

R**RS-232**

RS-232 (also known as EIA RS-232C or V.24) is a standard type of serial communication bus, based on three wires.

RTS

Request to send is a data transmission signal and will be acknowledged by the CTS signal from the destination node.

U**UL**

Underwriters laboratories, US organization for product testing and safety certification.

Index



E

Electronic modules
documentation references, *26*
installation, *26*
environmental characteristics, *23*

G

General Characteristics
TM5SE1RS2, *43*
General Description
TM5SE1RS2, *32*

H

hot swapping, *27*

I

installation and Maintenance
installation and Maintenance requirements, *16*
intended use, *6*
Interface
RS-232, *32*

O

Operating Conditions
TM5SE1RS2, *44*

P

Presentation
TM5SE1RS2, *40*

Q

qualification of personnel, *6*

S

Storage and Transport Conditions
TM5SE1RS2, *44*

T

TM5
communication modules, *13*
TM5SE1RS2
Characteristics, *43*

W

wiring rules, *19*

