



| | |
|--------------------------|---|
| Product designation | ILLUMINATED selector switch actuator - 3 position LPCSL13 |
| Product type designation | LPCSL13 |

General characteristics

| | |
|--------------------------|----------------------|
| Colour | White |
| Type of positions | Selector switch |
| Material | Polyamide |
| IEC degree of protection | IP66, IP67 and IP69K |

Mechanical features

| | | |
|------------------|--------------------------|---------|
| Mechanical life | cycles | 1000000 |
| Fixing | Without mounting adapter | |
| Mounting adapter | LPXAU120 | |
| Weight | g | 25 |

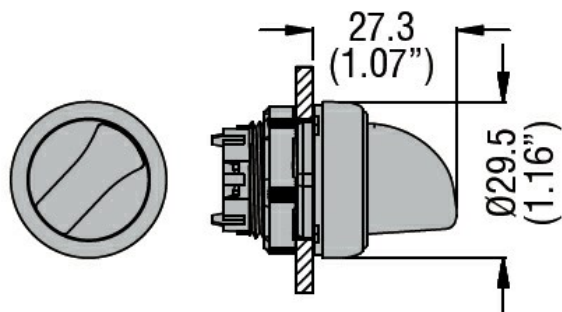
UL technical data

| | |
|-------------------------|------------------------------|
| UL degree of protection | Type1, 2, 3R, 4, 4X, 12, 12K |
|-------------------------|------------------------------|

Ambient conditions

| | | | | |
|-------------|-----------------------|-----|----|-----|
| Temperature | Operating temperature | min | °C | -25 |
| | | max | °C | +70 |
| | Storage temperature | min | °C | -40 |
| | | max | °C | +85 |

Dimensions



Certifications and compliance

| | |
|------------|---------------------|
| Compliance | CSA C22.2 n° 14 |
| | IEC/EN/BS 60947-1 |
| | IEC/EN/BS 60947-5-1 |
| | UL508 |

Certificates

CCC

cULus

EAC

RINA

ETIM classification

ETIM 8.0

EC000222 -
Front element for
selector switch