



Ceramic rod lever
KBH

Product designation

Product type designation

General characteristics

Material

Housing	Polymer thermoplastic
Rod	Ceramic

Contact characteristics

Type of contact

1NO+1NC Slow action make before break

Thermal current I_{th}

A	10
---	----

IEC/EN 60947-5-1 designation

A600 Q300

Rated insulation voltage U_i

V	690
---	-----

Rated impulse withstand voltage U_{imp}

kV	6
----	---

Insulation class

II

Short-circuit protection with fuse

Class/A	10 gG/SC QUICK FUSE
---------	------------------------

Switching speed

min	m/s	0.5
max	m/s	1.5

IEC Conventional free air thermal current I_{th}

A	10
---	----

Resistance per pole (average value)

mΩ	<10
----	-----

Mechanical features

Operating head fixing

Locking bayonet insert

Operating torque

Ncm	3
ozin	4.25

Tightening torque (Max)

Switch fixing

Nm	2.5
lbin	22.1

Contact terminals

Nm	0.8
lbin	7

Body lid screw fixing

Nm	0.8
lbin	7

Conductor section

AWG/Kcmil

min	16
max	14

IEC

min	mm ²	1or 2
-----	-----------------	-------

	max	mm ²	2.5
Cable connection			Self-releasing screw terminal
Cable entry			M20 on the bottom

Operations

Mechanical life	cycles	<10000000
Mechanical operation	cycles/h	3600

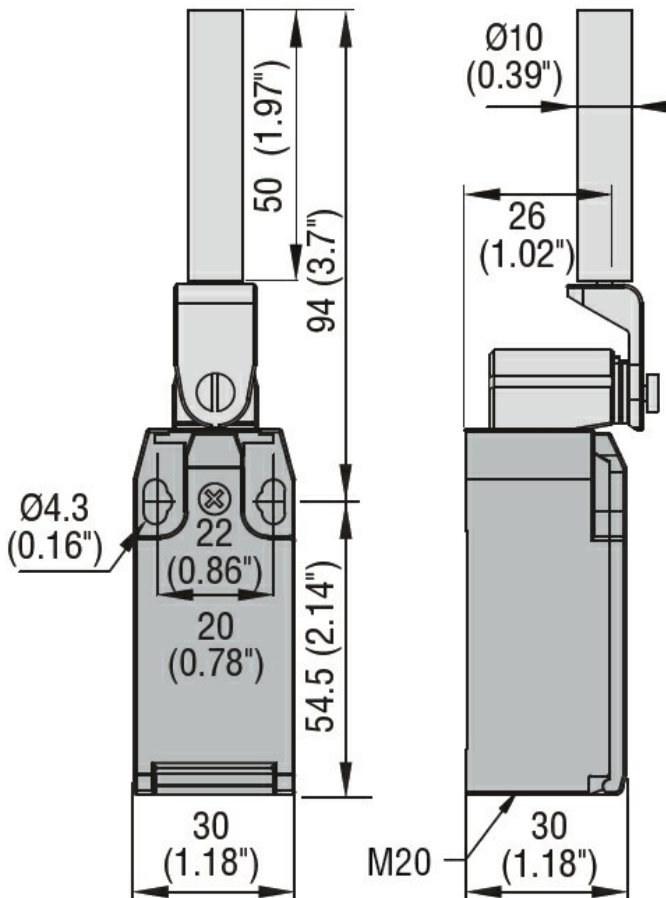
Ambient conditions

Temperature	Operating temperature	min	°C	-25
		max	°C	+70
	Storage temperature	min	°C	-40
		max	°C	+70

Resistance & Protection

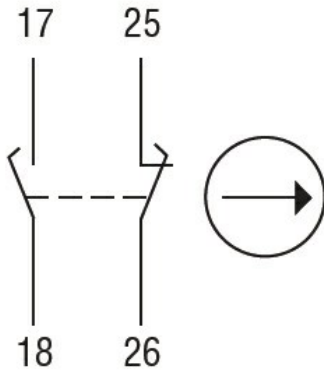
IP degree	Terminals	IP20
	Body housing	IP65
Pollution degree		3

Dimensions



Wiring diagrams

Slow action



1NO + 1NC
make before break

Certifications and compliance

Compliance

CSA C22.2 n° 14

EN 50047

IEC/EN 60204-1

IEC/EN 60947-1

IEC/EN 60947-5-1

UL508

Certificates

CCC

cULus

EAC

ETIM classification

ETIM 8.0

EC000030 - End switch