



Product designation			Micro PLC - Base module
Product type designation			LRD10RA240
Auxiliary supply voltage			100...240VAC
Number of inputs	Nr.		6 digital
Number of outputs	Nr.		4 relay
			10 (6 inputs + 4 outputs) up to 34 with LRE modules
Max I/O number			

Power supply		
Rated auxil. supply voltage		100...240VAC
Operating voltage range		85...265VAC
Rated frequency	Hz	50/60
Operating frequency range	Hz	47...63
Average current consumption	mA	100
Power consumption Max	W	7.5

Digital inputs		
Number of digital input	Nr.	6
Rated voltage	V	100-240VAC (50/60Hz)
Input signals		
	State 0 (OFF)	<40VAC
	State 1 (ON)	>79VAC

Response time			
	0 to 1 (OFF-ON)		50/45ms (Ue=120VAC); 22/18ms (Ue=240VAC)
	1 to 0 (ON-OFF)		50/45ms (Ue=120VAC); 90/85ms (Ue=240VAC)

Digital outputs		
Number of digital output	Nr.	4
type		Relay

System resources		
Display		LCD display, 4 lines x 16 characters

Connections		
Terminals type		Screw
Tightening torque for terminals		
	max	Nm 0.6
	Max	lbft 0.4

Conductor section		
-------------------	--	--

AWG/Kcmil	min	26	
	max	14	
IEC	min	mm ²	0.14
	max	mm ²	2.5

Ambient conditions

Temperature

Operating temperature

min	°C	-20
max	°C	+55

Storage temperature

min	°C	-40
max	°C	+70

Relative humidity

%	20...90% without condensation
---	-------------------------------

Housing

Mounting

35mm DIN rail or screw fixing (M4x20mm)

Degree of protection

IP20

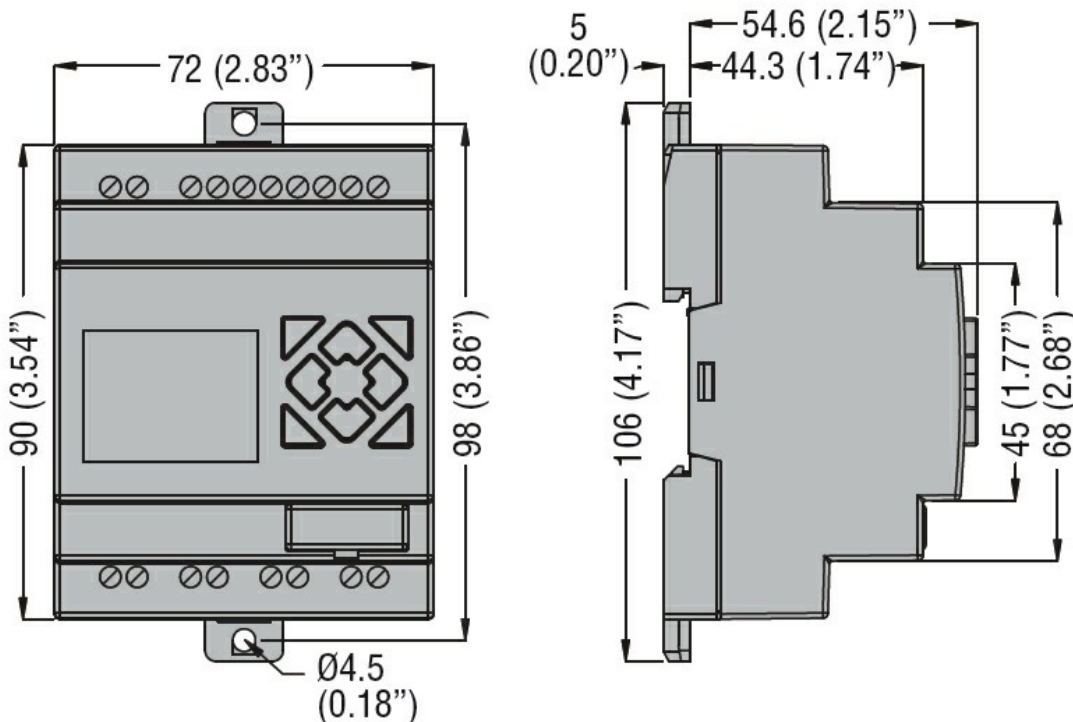
Dimensions (W x H x D)

mm 72 x 106 x 59.6

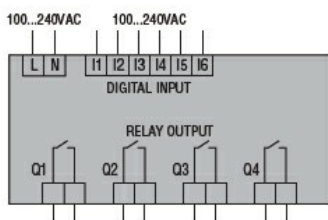
Weight

g 242

Dimensions



Wiring diagrams



Certifications and compliance

Compliance

CSA C22.2 n° 142

IEC/EN 61131-2

UL508

Certificates

cULus

EAC

ETIM classification

ETIM 8.0

EC001417 -
Logic module