

Part number

# PB 32043 PI



Flush-mounting socket outlet, PLUSO series, 3 poles, 4 h (green), 32 A, 20 ÷ 50 V, straight

#### Product description

<b>Product type</b>	Socket Flush-mounting
<b>Series</b>	PB...PI, PLUSO
<b>N. of poles</b>	3 poles
<b>Clock position</b>	4
<b>Specification</b>	Straight

#### Technical data

<b>Current</b>	32 A
<b>Voltage</b>	20÷25, 40÷50 V
<b>IP degree of protection</b>	IP44

#### Further technical details

<b>Weight</b>	109,00 g
<b>Operating temperature range (min, max)</b>	-25°C ... +40°C

#### Material properties

<b>Colour</b>	RAL 7035 grey, RAL 4001 lilac
<b>RoHs conformity</b>	Compliant with exemption 6(c): copper alloy containing up to 4% lead by weight
<b>China RoHs - EFUP</b>	50
<b>REACH SVHC substances</b>	Yes Lead
<b>SCIP number</b>	Ca7de37f-add8-4b77-9861-279c94903ade

#### Approvals / Standards

<b>Reference standard</b>	EN 60309-1 and -2
---------------------------	-------------------

#### General ordering information

<b>EAN13 code</b>	8015747062138
-------------------	---------------

#### Packaging Information

<b>Packaging length</b>	195,00 mm
<b>Packaging height</b>	135,00 mm
<b>Packaging width</b>	155,00 mm
<b>Packaging weight</b>	1,22 kg
<b>Packaging volume</b>	4,08 dm <sup>3</sup>
<b>Packaging description</b>	Carton box
<b>Packaging quantity</b>	10 Pcs
<b>Packaging EAN code</b>	8015747221726

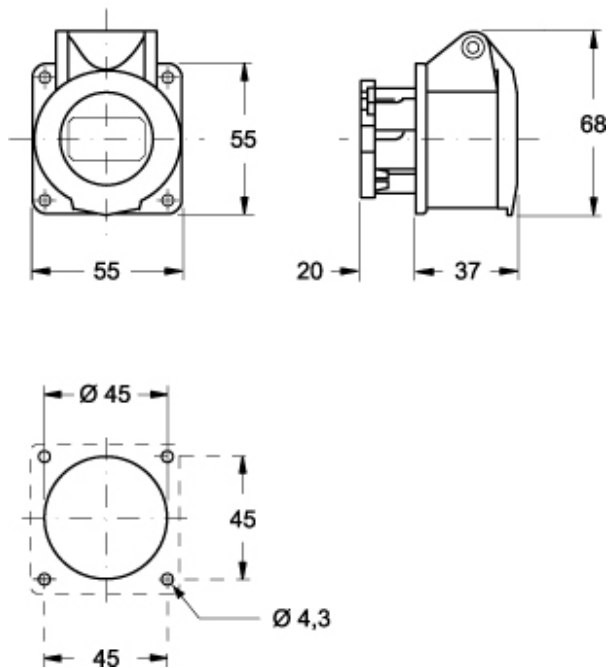
Part number

# PB 32043 PI



## Catalogue drawings

( 16 / 32A ) PB ... PI



## Notes

Dimensions shown in mm are not binding and may be changed without notice.

- 
- Compliant with EN 60309-1 and -2
  - Enclosure, insert and spring lid in insulating, thermoplastic, self-extinguishing material
  - RAL 7035 grey enclosure
  - Spring lid colour coded according to the operating voltage and frequency
  - Wall-mounting types PB...PP, top entry with threaded grommet (replaceable with cable gland)
  - Flush-mounting types PB...PI, flange with anti-aging gasket
  - Coupler types PB...PV, cable anchoring collar incorporated in the insert, entry with grommet
  - Terminals with retained screws
  - Nickel-plated contacts on request
  - IP44 degree of protection (EN 60529)
-