

Part number

CQ 08 VA



Hood, CQ series, with 2 pegs, Pg16 side cable entry, size "32.13"

Product description		Material properties	
Product type	Hood	Colour	RAL 9005 black
Series	CQ	RoHs conformity	Compliant
Closing type	With 2 pegs	China RoHs - EFUP	E
Size	Size "32.13"	REACH SVHC substances	No
Cable entry	Side cable entry Pg16	Approvals / Standards	
Technical data		Certifications	DNV, BV
IP degree of protection	IP66 / IP67 / IP69	UL	ECBT2
Further technical details		cUL	ECBT8
Weight	24,50 g	General ordering information	
Operating temperature range (min, max)	-40°C...+125°C	EAN13 code	8015747114882
		Packaging Information	
		Packaging length	250,00 mm
		Packaging height	145,00 mm
		Packaging width	300,00 mm
		Packaging weight	1,51 kg
		Packaging volume	10,88 dm ³
		Packaging description	Carton box
		Packaging quantity	50 Pcs
		Packaging EAN code	8015747215176
		Sub-packaging weight	0,30 kg
		Sub-packaging description	Plastic bag
		Sub-packaging quantity	10 Pcs
		Sub-packaging EAN barcode	8015747215251

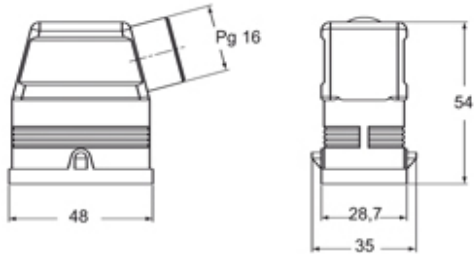
Part number

CQ 08 VA

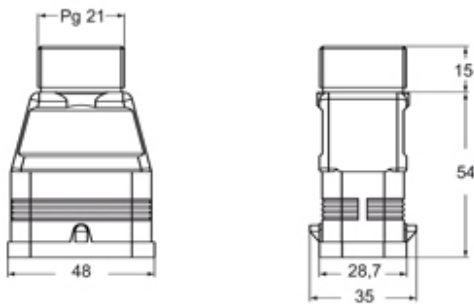


Catalogue drawings

CQ VA



CQ V



Notes

Pg male thread on outside of enclosure

Dimensions shown in mm are not binding and may be changed without notice.
