

1SNA235886R0000 ✓ ACTIVE

ENTRELEC | ENTRELEC HTP600

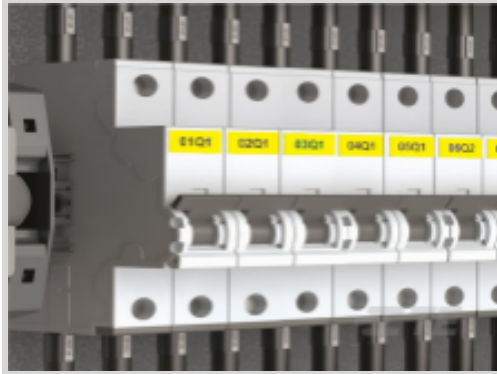
TE Internal #: 1SNA235886R0000

Terminal Block & Strip Marking Accessories, Marking Strip, Blank Mark Details, Yellow, 14 – 122 °F [-15 – 70 °C], UL 94V-0, ENTRELEC HTP600

[View on TE.com >](#)



Connectors > Terminal Blocks & Strips > Terminal Block & Strip Accessories > Terminal Block & Strip Marking Accessories



Marking Product Type: **Marking Strip**

Pre-Printed Mark Details: **Blank**

Primary Product Color: **Yellow**

Operating Temperature Range: **-15 – 70 °C [14 – 122 °F]**

UL Flammability Rating: **UL 94V-0**

Features

Product Type Features

| | |
|----------------------|---------------|
| Marking Product Type | Marking Strip |
|----------------------|---------------|

Configuration Features

| | |
|-----------------------------|-------|
| Number of Cards per Package | 20 |
| Pre-Printed Mark Details | Blank |

Body Features

| | |
|-----------------------|--------|
| Primary Product Color | Yellow |
|-----------------------|--------|

Usage Conditions

| | |
|-----------------------------|--------------------------|
| Operating Temperature Range | -15 – 70 °C[14 – 122 °F] |
|-----------------------------|--------------------------|

Industry Standards

| | |
|------------------------|----------|
| UL Flammability Rating | UL 94V-0 |
|------------------------|----------|

Product Compliance

[For compliance documentation, visit the product page on TE.com>](#)

| | |
|---|---|
| EU RoHS Directive 2011/65/EU | Compliant |
| EU ELV Directive 2000/53/EC | Compliant |
| China RoHS 2 Directive MIIT Order No 32, 2016 | No Restricted Materials Above Threshold |
| EU REACH Regulation (EC) No. 1907/2006 | |



Current ECHA Candidate List: JUNE 2022 (224)

Candidate List Declared Against: JUNE 2022 (224)

Does not contain REACH SVHC

Halogen Content

Not Yet Reviewed for halogen content

Solder Process Capability

Not applicable for solder process capability

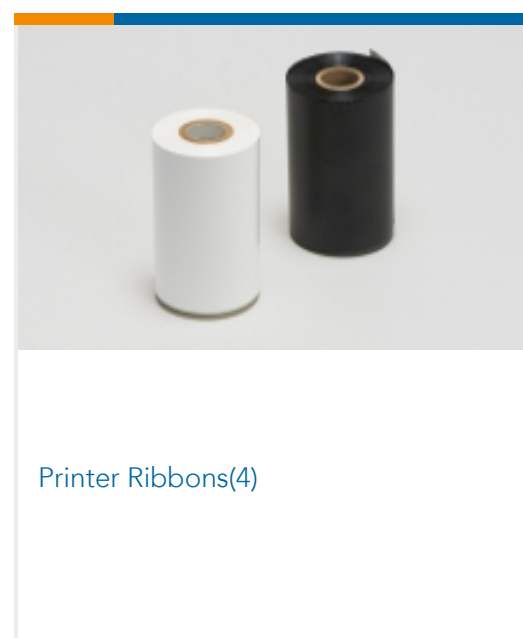
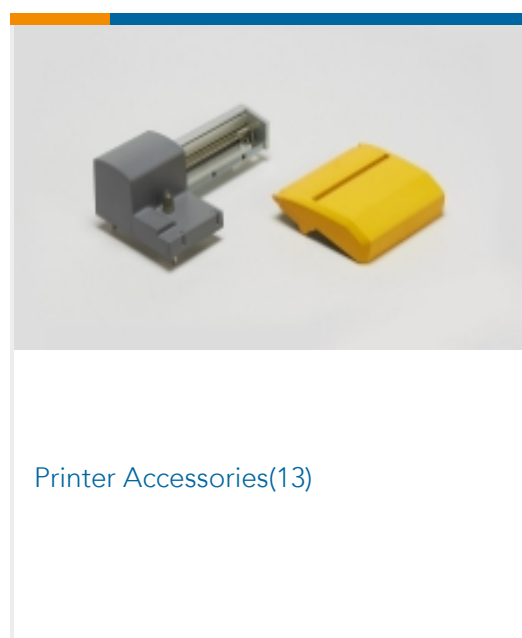
Product Compliance Disclaimer

This information is provided based on reasonable inquiry of our suppliers and represents our current actual knowledge based on the information they provided. This information is subject to change. The part numbers that TE has identified as EU RoHS compliant have a maximum concentration of 0.1% by weight in homogenous materials for lead, hexavalent chromium, mercury, PBB, PBDE, DBP, BBP, DEHP, DIBP, and 0.01% for cadmium, or qualify for an exemption to these limits as defined in the Annexes of Directive 2011/65/EU (RoHS2). Finished electrical and electronic equipment products will be CE marked as required by Directive 2011/65/EU. Components may not be CE marked. Additionally, the part numbers that TE has identified as EU ELV compliant have a maximum concentration of 0.1% by weight in homogenous materials for lead, hexavalent chromium, and mercury, and 0.01% for cadmium, or qualify for an exemption to these limits as defined in the Annexes of Directive 2000/53/EC (ELV). Regarding the REACH Regulation, the information TE provides on SVHC in articles for this part number is based on the latest European Chemicals Agency (ECHA) 'Guidance on requirements for substances in articles' posted at this URL: <https://echa.europa.eu/guidance-documents/guidance-on-reach>

Compatible Parts

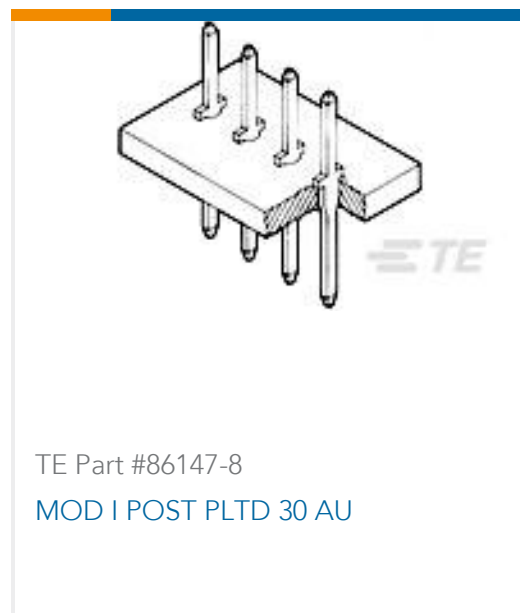


Also in the Series | ENTRELEC HTP600





Customers Also Bought



Documents

Product Drawings

[PAM21515-YL](#)

English

Datasheets & Catalog Pages

[Catalogue - HTP600 Thermal Transfer Printer and Markers](#)

English

[Datasheet - Htp600](#)

French

1SNA235886R0000

Terminal Block & Strip Marking Accessories, Marking Strip, Blank Mark Details,
Yellow, 14 – 122 °F [-15 – 70 °C], UL 94V-0, ENTRELEC HTP600



[Datasheet - Htp600 Thermal-Transfer-Printer-Marker](#)

English

[Datasheet - Htp600 Thermal-Transfer-Printer-Marker](#)

French