

Part number

# CQ4M 02 H



Male insert, CQ series, crimp connection, 2 poles + PE, 40 A 830 V 6 kV 3, size "21.21", cable diameter up to 7,5 mm , with heat-shrinking tube

Product description	
<b>Product type</b>	Insert
<b>Series</b>	CQ
<b>Connection type</b>	Crimp connection
<b>Gender</b>	Male
<b>N. of poles</b>	2 poles + $\oplus$
<b>Size</b>	Size "21.21"
<b>Specification</b>	With heat-shrinking tube Cable diameter up to 7,5 mm
Technical data	
<b>Current</b>	40 A
<b>Voltage</b>	830 V
<b>Rated impulse withstand voltage</b>	6 kV
<b>Pollution degree</b>	3
<b>Rated voltage according to UL/CSA</b>	600 V
<b>IP degree of protection</b>	IP20 without enclosure, IP44/IP66/IP67/IP68/IP69 with enclosure
Further technical details	
<b>Characteristics according to EN 61984</b>	40 A 400 V 6 kV 3
<b>Mating cycles</b>	$\geq 500$
<b>Insulation resistance</b>	$\geq 10 \text{ G}\Omega$
<b>Contact resistance</b>	$\leq 0,3 \text{ m}\Omega$
<b>Weight</b>	14,00 g
<b>Operating temperature range (min, max)</b>	-40 °C ... +125 °C
<b>UL 94 flammability rating</b>	V-0
<b>Tightening torque for fixing screws</b>	M3: 0,5 Nm; 4,4 lb.in (Ph1 or 0,8 x 5,5 mm)

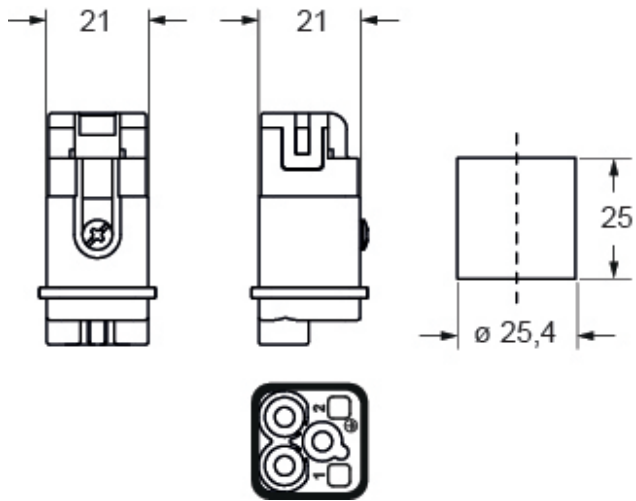
Material properties	
<b>Main material</b>	Polycarbonate (PC)
<b>Other materials</b>	Gasket: NBR
<b>Colour</b>	RAL 7032 grey
<b>RoHs conformity</b>	Compliant
<b>China RoHs - EFUP</b>	E
<b>REACH SVHC substances</b>	No
Approvals / Standards	
<b>Certifications</b>	DNV, BV, EAC
<b>UL</b>	ECBT2, PVVA2
<b>cUL</b>	ECBT8, PVVA8
General ordering information	
<b>EAN13 code</b>	8015747258425
<b>eCl@ss 8.1</b>	27440205
<b>ETIM 7.0</b>	EC000438
Packaging Information	
<b>Sub-packaging description</b>	Plastic bag
<b>Sub-packaging quantity</b>	1 Pcs
<b>Sub-packaging EAN barcode</b>	8015747258432

Part number

# CQ4M 02 H



## Catalogue drawings



## Notes

Dimensions shown in mm are not binding and may be changed without notice.