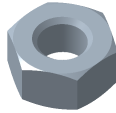


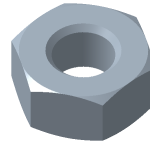
**ECROU - HM  
HM - NUT**

 Reference(s) : 801 611/14/21//24/31/34  
350 410/11/12/13

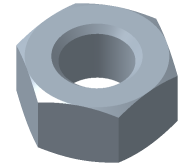

HM6



HM8



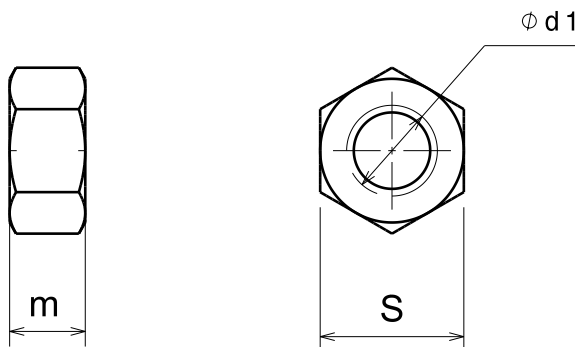
HM10



HM12

**1. GAMME / RANGE**

Designation	Code	Poids / Weight (Kg) / (lb)		Classe / Class	Norme / Standard	Finition / Coating	Classe de résistance contre la corrosion / Resistance class against corrosion
HM6 ZnNi	350 410	0.003	0.007	8	ISO 898-2	ZnNi	Class 8 / IEC 61537
HM8 EZ	801 611	0.006	0.013	8	ISO 898-2	EZ	Class 1 / IEC 61537
HM8 316L	801 614			A4-80	ISO 3506-2	IN316L / SS316L	Class 9D / IEC 61537
HM8 ZnNi	350 411			8	ISO 898-2	ZnNi	Class 8 / IEC 61537
HM10 EZ	801 621	0.012	0.026	8	ISO 898-2	EZ	Class 1 / IEC 61537
HM10 316L	801 624			A4-80	ISO 3506-2	IN316L / SS316L	Class 9D / IEC 61537
HM10 ZnNi	350 412			8	ISO 898-2	ZnNi	Class 8 / IEC 61537
HM12 EZ	801 631	0.018	0.040	8	ISO 898-2	EZ	Class 1 / IEC 61537
HM12 316L	801 634			A4-80	ISO 3506-2	IN316L / SS316L	Class 9D / IEC 61537
HM12 ZnNi	350 413			8	ISO 898-2	ZnNi	Class 8 / IEC 61537

**2. DIMENSIONS (mm/inch)**


Designation	d1	M		S	
		(mm)	(inch)	(mm)	(inch)
HM6	M6	5	0.20	10	0.39
HM8	M8	6.5	0.26	13	0.51
HM10	M10	8	0.31	17	0.67
HM12	M12	10	0.39	19	0.75