



| | | | |
|--|---------------------|------------|-----------|
| Product designation | SLIM | | |
| | RELAY+SOCKET | | |
| Product type designation | HRA101 | | |
| Contact characteristics | | | |
| Contact configuration | 1 C/O | | |
| Rated insulation voltage U_i IEC/EN | V | 250 | |
| Rated impulse withstand voltage U_{imp} | kV | 4 | |
| IEC Conventional free air thermal current I_{th} | A | 6 | |
| Maximum instantaneous current | A | 20 (500ms) | |
| Rated current (I_n) | A | 6 | |
| Relay control voltage | V | 24VAC/VDC | |
| UL/CSA and IEC/EN 60947-5-1 designation | B300 – R300 | | |
| UL rating | 6A 277VAC; 6A 30VDC | | |
| Max contrrollable power in | | | |
| | AC-1 | W | 1500 |
| | AC-15 | VA | 360 |
| Rated operating power AC-1 | | VA | 1500 |
| Rated operating power AC-15 | | | |
| | 230 VAC | VA | 360 |
| Single-phase motor control | | | |
| | 230VAC | kW | 0.186 |
| Rated operating current DC-1 | | | |
| | 30V | A | 6 |
| | 110V | A | 0.2 |
| | 220V | A | 0.12 |
| Minimum switching load | | V / mA | 5 / 100 |
| Contact impedance | | m Ω | 100 |
| Contact material | Ag/Ni | | |
| Operating times | | | |
| Closing | | ms | ≤ 8 |
| Opening | | ms | ≤ 4 |
| Operations | | | |
| Mechanical life | | cycles | 10000000 |
| Electrical life AC1 | | cycles | 30000 |
| Coil characteristics | | | |
| Relay control voltage + socket | V | 24VAC/DC | |
| Average coil consumption DC at 20°C | W | 0.2 | |
| Operating range | | | |
| | Closing | % U_n | ≥ 75 |
| | Opening | % U_n | ≥ 5 |
| Maximum cycle frequency | | cycles/h | 10000 |
| Mechanical features | | | |
| Max socket terminal tightening torque | | Nm | 0.5 |

Socket screw tightening tool (cross / flat blade) PH0 / 3.5mm

Conductor section

| | | |
|-----------|-----|----|
| AWG/Kcmil | min | 20 |
| | max | 16 |

| | | | |
|-----|-----|-----------------|-----|
| IEC | min | mm ² | 0.5 |
| | max | mm ² | 1.5 |

Operating position normal Any

Fixing On 35mm DIN rail

Ambient conditions

Temperature

| | | | |
|-----------------------|-----|----|-----|
| Operating temperature | min | °C | -40 |
| | max | °C | +70 |

| | | | |
|---------------------|-----|----|-----|
| Storage temperature | min | °C | -40 |
| | max | °C | +80 |

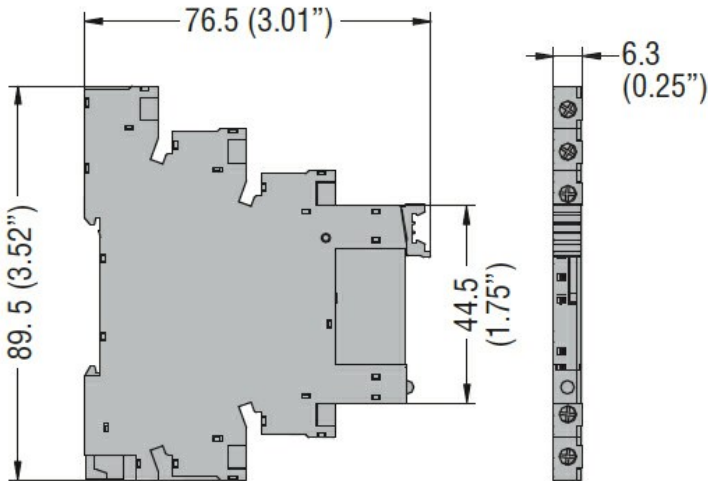
Other features

Indication Yes (on the socket)

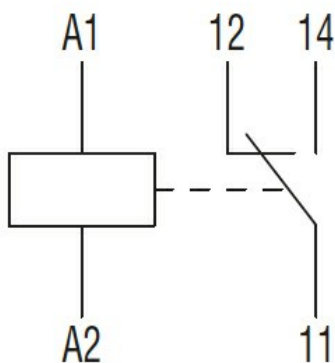
Mechanical contact position indicator No

Mechanical test actuator No

Dimensions



Wiring diagrams



Certifications and compliance

Compliance

IEC/EN 61810

Certificates

cURus

EAC

VDE

ETIM classification

ETIM 8.0

EC001437 -
Switching relay