



# SLG25S-050SER21A00

SLG-2

SWITCHING AUTOMATION LIGHT GRIDS

**SICK**  
Sensor Intelligence.



Illustration may differ

### Ordering information

| Type               | Part no. |
|--------------------|----------|
| SLG25S-050SER21A00 | 1129253  |

Other models and accessories → [www.sick.com/SLG-2](http://www.sick.com/SLG-2)



### Detailed technical data

#### Features

|                                                                     |                                                                               |
|---------------------------------------------------------------------|-------------------------------------------------------------------------------|
| <b>Included with delivery</b>                                       | 1 × sender<br>1 × receiver<br>1 × Quick Start Guide<br>1 x safety instruction |
| <b>Functional principle</b>                                         | Sender/receiver                                                               |
| <b>Sensing range</b>                                                |                                                                               |
| Limit values                                                        | 70 mm ... 2,150 mm                                                            |
| Parallel beam (recommended)                                         | 70 mm ... 1,500 mm                                                            |
| 3 x cross beam (recommended)                                        | 160 mm ... 1,500 mm                                                           |
| <b>Blind zone</b>                                                   |                                                                               |
| Distance from 1st Beam to leading edge of housing (connection side) | 4.6 mm                                                                        |
| Distance from last beam to leading edge of housing (top)            | 19.6 mm <sup>1)</sup>                                                         |
| <b>Detection height</b>                                             | 500 mm                                                                        |
| <b>Beam separation</b>                                              | 25 mm                                                                         |
| <b>Optical light exit</b>                                           | Slim                                                                          |
| <b>Detection capability</b>                                         |                                                                               |
| Minimum detectable object (MDO), parallel beam                      | 30 mm <sup>2)</sup>                                                           |

<sup>1)</sup> For a detection height < 700 mm, the measured value can vary by up to 1 mm from the measured values specified here.

<sup>2)</sup> MDO: Minimum detectable size of an arbitrarily shaped object.

<sup>3)</sup> Depends on the sensing range / number of beams / cross beam.

|                                                 |                                                                     |
|-------------------------------------------------|---------------------------------------------------------------------|
| Minimum detectable object (MDO), 3 x cross beam | ≥ 16.5 mm <sup>2)</sup>                                             |
| <b>Factory setting</b>                          |                                                                     |
| Beam function                                   | Parallel beam                                                       |
| Pin 2 (MF)                                      | Teach-in input                                                      |
| Pin 4 (OUT)                                     | Object detection output = "HIGH"                                    |
| IO-Link (process data)                          | Q <sub>L</sub> /Q <sub>int</sub> Status, System status, Beam status |
| Teach-in (default)                              | Auto teach-in                                                       |
| <b>Adjustment</b>                               |                                                                     |
| IO-Link                                         | For configuring the sensor parameters and Smart Task functions      |
| <b>Emitted beam</b>                             |                                                                     |
| Light source                                    | LED                                                                 |
| Type of light                                   | Infrared light                                                      |
| Number of beams                                 | 20                                                                  |
| <b>LED key figures</b>                          |                                                                     |
| Normative reference                             | EN 62471:2008-09   IEC 62471:2006, modified                         |
| LED risk group marking                          | Free group                                                          |
| Wave length                                     | 850 nm                                                              |
| Average service life                            | Average service life: 100,000 h at T <sub>U</sub> = +25 °C          |
| <b>Time specifications</b>                      |                                                                     |
| Initialization time                             | 0.4 s ... 2 s <sup>3)</sup>                                         |
| Teach-in time                                   | 0.75 s ... 50 s <sup>3)</sup>                                       |
| Scan time, parallel beam                        | 1.3 ms                                                              |
| Scan time, cross beam                           | 2.6 ms                                                              |
| Repeatability, parallel beam                    | 1.3 ms                                                              |
| Repeatability, cross beam                       | 4 ms                                                                |
| Minimum dwell time, parallel beam               | 2.6 ms                                                              |
| Minimum dwell time, cross beam                  | 5.3 ms                                                              |
| Max. response time, parallel beam               | 4 ms                                                                |
| Max. response time, cross beam                  | 8.2 ms                                                              |
| <b>Type of synchronization</b>                  | Optical (2 beams)                                                   |

<sup>1)</sup> For a detection height < 700 mm, the measured value can vary by up to 1 mm from the measured values specified here.

<sup>2)</sup> MDO: Minimum detectable size of an arbitrarily shaped object.

<sup>3)</sup> Depends on the sensing range / number of beams / cross beam.

## Communication interface

|                        |                    |
|------------------------|--------------------|
| <b>IO-Link</b>         | ✓, V1.1            |
| Data transmission rate | COM3 (230,4 kBaud) |
| Maximum cable length   | 20 m               |
| Cycle time             | 2.3 ms             |
| Process data length    | 32 Byte            |

## Electrical data

|                                        |                                                                                                                                      |
|----------------------------------------|--------------------------------------------------------------------------------------------------------------------------------------|
| <b>Supply voltage <math>U_B</math></b> | DC 18 V DC ... 30 V DC <sup>1)</sup>                                                                                                 |
| <b>Ripple</b>                          | $\leq 1.3 V_{pp}$                                                                                                                    |
| <b>Power consumption</b>               |                                                                                                                                      |
| Sender                                 | $\leq 36.5 \text{ mA}^{2)}$                                                                                                          |
| Receiver                               | $\leq 51 \text{ mA}^{2)}$                                                                                                            |
| <b>Digital output</b>                  |                                                                                                                                      |
| Number                                 | 2                                                                                                                                    |
| Type                                   | Push-pull: PNP/NPN                                                                                                                   |
| Output signal voltage HIGH/LOW         | $U_B - 3 \text{ V} / < 3 \text{ V}$                                                                                                  |
| Output load, Inductive                 | 1 H                                                                                                                                  |
| Output load, capacitive                | 100 nF                                                                                                                               |
| Output current $I_{max.}$              | 100 mA                                                                                                                               |
| Output current, rest                   | < 0.5 mA                                                                                                                             |
| <b>Digital input</b>                   |                                                                                                                                      |
| Number                                 | 1                                                                                                                                    |
| Input signal voltage HIGH/LOW          | >15 V / <5 V                                                                                                                         |
| <b>Protection class</b>                | III <sup>3)</sup>                                                                                                                    |
| <b>UL File No.</b>                     | NRKH.E181493 & NRKH7.E181493                                                                                                         |
| <b>Circuit protection</b>              | $U_V$ connections, reverse polarity protected<br>Output Q short-circuit protected<br>Outputs overcurrent and short-circuit protected |

<sup>1)</sup> Without load.

<sup>2)</sup> At 24 V.

<sup>3)</sup> EN 61140.

## Mechanical data

|                                          |                                      |
|------------------------------------------|--------------------------------------|
| <b>Dimensions (W x H x D)</b>            |                                      |
| Width                                    | 11.8 mm                              |
| Height                                   | 499.2 mm                             |
| Depth                                    | 24.1 mm                              |
| <b>Connection type</b>                   | Cable with M12 male connector, 4-pin |
| <b>Connection type Detail</b>            |                                      |
| Cable diameter                           | 3.4 mm                               |
| Conductor cross section                  | 0.14 mm <sup>2</sup>                 |
| Length of cable                          | 150 mm                               |
| Cable material                           | PVC                                  |
| <b>Material</b>                          |                                      |
| Housing                                  | Aluminumplastic                      |
| Front screen                             | PMMA                                 |
| <b>Weight</b>                            | 1,060 g                              |
| <b>Overvoltage protection (required)</b> | 1                                    |

## Ambient data

|                                            |                                             |
|--------------------------------------------|---------------------------------------------|
| <b>Enclosure rating</b>                    | IP65, IP67 <sup>1)</sup>                    |
| <b>Ambient temperature, operation</b>      | -25 °C ... +55 °C                           |
| <b>Ambient temperature, storage</b>        | -25 °C ... +70 °C                           |
| <b>Ambient light immunity</b>              | Indirect: 50,000 lx <sup>2)</sup>           |
| <b>Shock resistance</b>                    | 10 g, 16 ms, DIN EN 60068-2-27              |
| <b>Vibration resistance</b>                | 10-150 Hz 0.5 mm, IEC 60068-2-6             |
| <b>Air humidity</b>                        | ≤ 96 %, Relative humidity (no condensation) |
| <b>Electromagnetic compatibility (EMC)</b> | EN 61000-6-2, EN 61000-6-4                  |

<sup>1)</sup> Operating in outdoor condition only with a external protection housing.

<sup>2)</sup> Sunlight.

## Smart Task

|                                  |                                                                                |
|----------------------------------|--------------------------------------------------------------------------------|
| <b>Smart Task name</b>           | Base logics                                                                    |
| <b>Logic function</b>            | Direct<br>AND<br>OR                                                            |
| <b>Timer function</b>            | Deactivated<br>On delay<br>Off delay<br>ON and OFF delay<br>Impulse (one shot) |
| <b>Switching signal</b>          |                                                                                |
| Switching signal Q <sub>L1</sub> | Switching output                                                               |
| Switching signal Q <sub>L2</sub> | Switching output, external input                                               |

## Diagnosis

|                              |                                                              |
|------------------------------|--------------------------------------------------------------|
| <b>Diagnostics functions</b> |                                                              |
| Device state                 | Hardware error, temperature warning, operating hours warning |
| Communication state          | Pin short-circuit error, invalid process data                |
| Status of the light signal   | Teach error, synchronization error, quality-of-run alarm     |
| Alarm output                 | Yes                                                          |

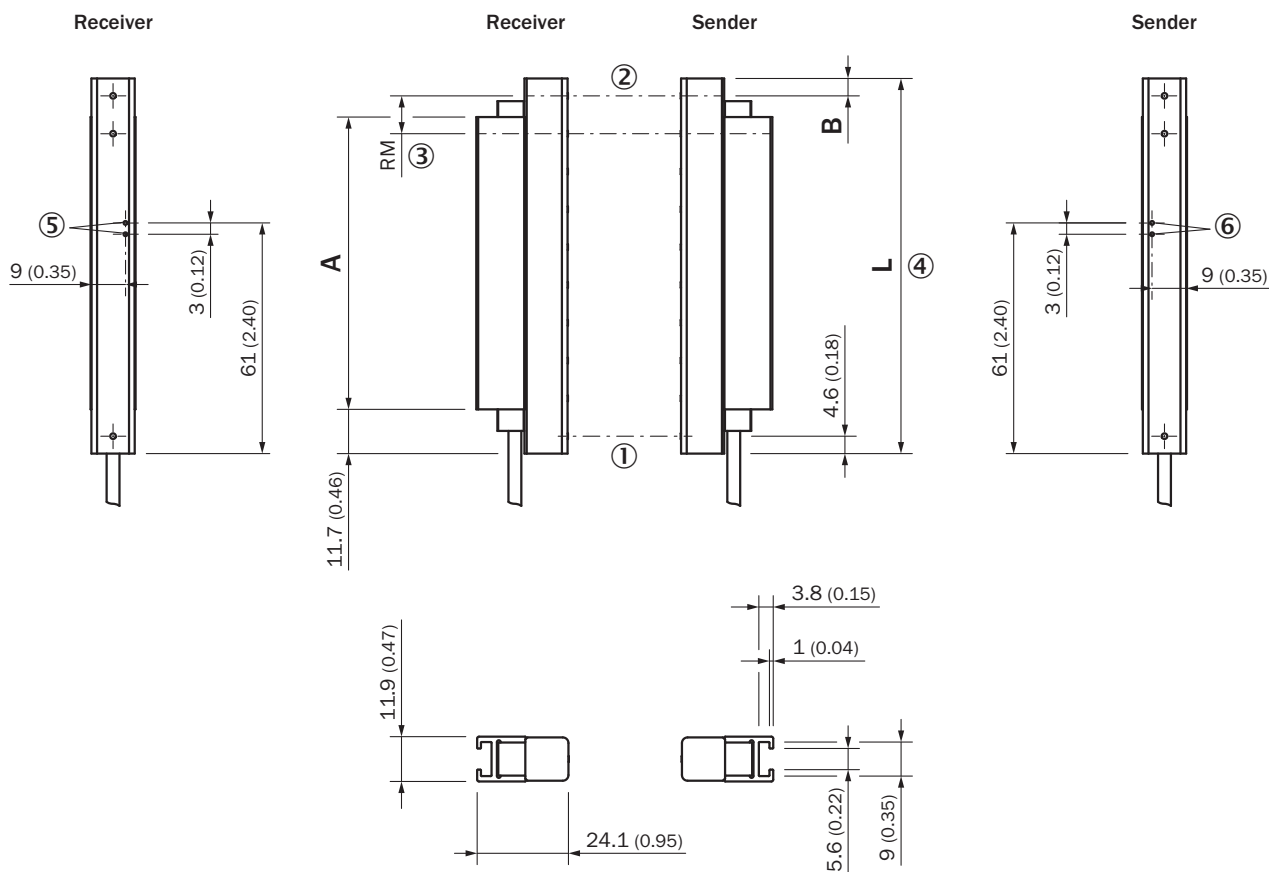
## Classifications

|                     |          |
|---------------------|----------|
| <b>ECLASS 5.0</b>   | 27270910 |
| <b>ECLASS 5.1.4</b> | 27270910 |
| <b>ECLASS 6.0</b>   | 27270910 |
| <b>ECLASS 6.2</b>   | 27270910 |
| <b>ECLASS 7.0</b>   | 27270910 |
| <b>ECLASS 8.0</b>   | 27270910 |
| <b>ECLASS 8.1</b>   | 27270910 |
| <b>ECLASS 9.0</b>   | 27270910 |
| <b>ECLASS 10.0</b>  | 27270910 |
| <b>ECLASS 11.0</b>  | 27270910 |
| <b>ECLASS 12.0</b>  | 27270910 |
| <b>ETIM 5.0</b>     | EC002549 |

|                       |          |
|-----------------------|----------|
| <b>ETIM 6.0</b>       | EC002549 |
| <b>ETIM 7.0</b>       | EC002549 |
| <b>ETIM 8.0</b>       | EC002549 |
| <b>UNSPSC 16.0901</b> | 39121528 |

**Dimensional drawing** (Dimensions in mm (inch))

Dimensional drawing, sensor



SLGxxx-xxxSxxxxxx

- ① First beam
- ② Last beam
- ③ Beam separation (RM)
- ④ Housing length
- ⑤ LED display receiver
- ⑥ LED display sender

Dimensional drawing, connection type



Cable with M12 male connector

- ① Connection (see technical data for length of cable)
- ② Receiver
- ③ Sender

| Dimensions in mm (inch)     |                                                             |                            |
|-----------------------------|-------------------------------------------------------------|----------------------------|
|                             | Length of stabilizer<br><b>A</b>                            | Housing length<br><b>L</b> |
| SLGxxx- <b>01</b> xxxxxxxx  | 77 (3.03)                                                   | 99,2 (3.91)                |
| SLGxxx- <b>02</b> 0xxxxxxxx | 178 (7.01)                                                  | 199,2 (7.84)               |
| SLGxxx- <b>03</b> 0xxxxxxxx | 276 (10.87)                                                 | 299,2 (11.78)              |
| SLGxxx- <b>04</b> 0xxxxxxxx | 376 (14.8)                                                  | 399,2 (15.72)              |
| SLGxxx- <b>05</b> 0xxxxxxxx | 475 (18.7)                                                  | 499,2 (19.65)              |
| SLGxxx- <b>06</b> 0xxxxxxxx | 576 (22.68)                                                 | 599,2 (23.6)               |
| SLGxxx- <b>07</b> 0xxxxxxxx | 676 (26.61)                                                 | 699,2 (27.53)              |
| SLGxxx- <b>08</b> 0xxxxxxxx | 776 (30.55)                                                 | 799,2 (31.46)              |
| SLGxxx- <b>100</b> xxxxxxxx | 975 (38.39)                                                 | 999,2 (39.34)              |
| SLGxxx- <b>120</b> xxxxxxxx | 1.175 (46.26)                                               | 1.199,2 (47.21)            |
| SLGxxx- <b>140</b> xxxxxxxx | 1.374 (54.09)                                               | 1.399,2 (55.09)            |
| SLGxxx- <b>160</b> xxxxxxxx | 1.574 (61.97)                                               | 1.599,2 (62.96)            |
| SLGxxx- <b>180</b> xxxxxxxx | 1.774 (69.84)                                               | 1.799,2 (70.83)            |
| SLGxxx- <b>20</b> 0xxxxxxxx | 1.973 (77.68)                                               | 1.999,2 (78.71)            |
| SLGxxx- <b>220</b> xxxxxxxx | 2.173 (85.55)                                               | 2.199,2 (86.58)            |
| SLGxxx- <b>240</b> xxxxxxxx | 2.372 (93.39)                                               | 2.399,2 (94.46)            |
|                             | Distance: Housing edge - last beam<br><b>B<sup>1)</sup></b> |                            |
| SLG <b>10</b> x-xxxxxxxxxxx | 4,6 (0.18)                                                  |                            |
| SLG <b>25</b> x-xxxxxxxxxxx | 19,6 (0.77)                                                 |                            |
| SLG <b>50</b> x-xxxxxxxxxxx | 44,6 (1.76)                                                 |                            |

<sup>1)</sup> for detection height less than 700 mm, the dimension deviates up to 1 mm from the dimensions specified here.

### Pin assignment

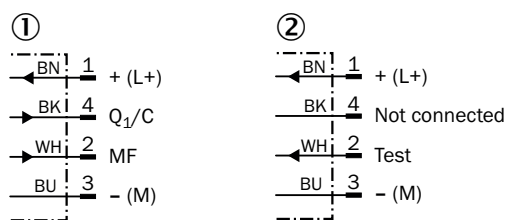
Pin assignment



M12 male connector, 4-pin, A-coding

- ① Receiver
- ② Sender

### Connection diagram



cd-543

- ① Receiver
- ② Sender

### Instruction for installation

Minimum distance to reflective materials

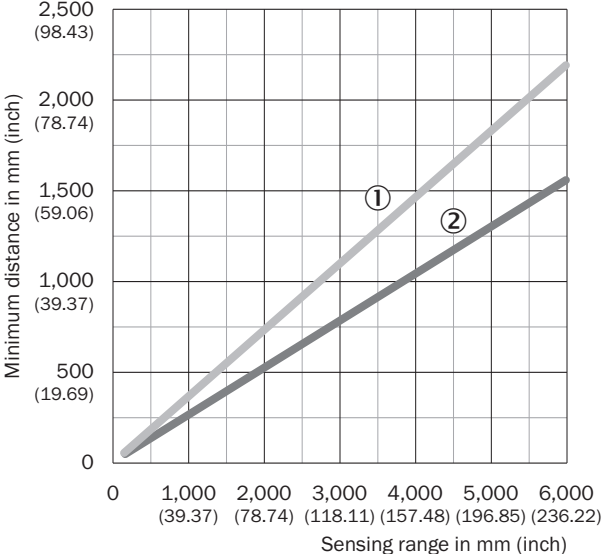


Depending on the sensing range, make sure that there are no reflective objects in the field of view of the light grid pair

- ① Minimum distance (safe)
- ② Minimum distance (typical)



Minimum distance between 2 light grids

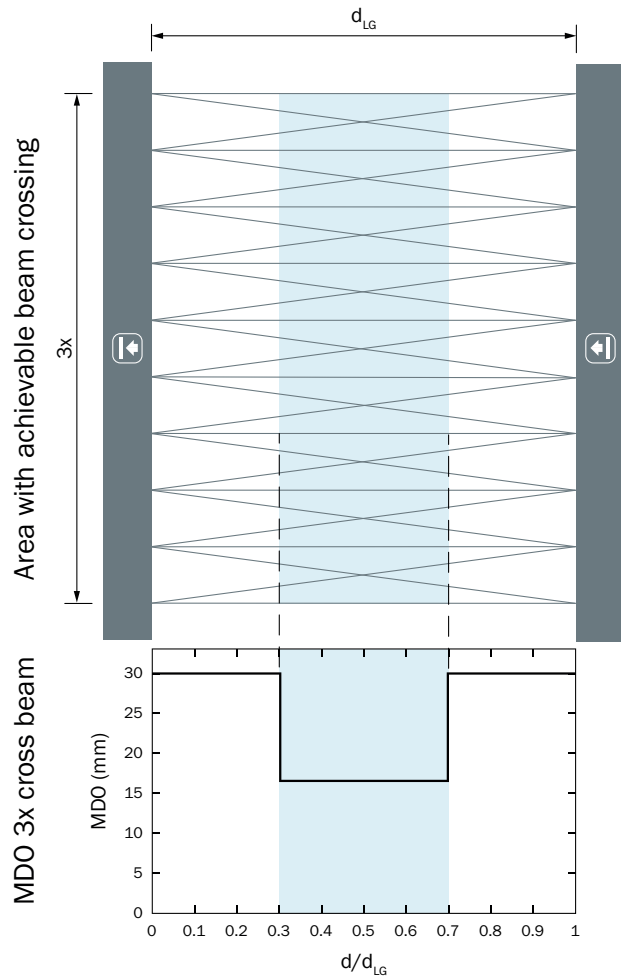


If not installed in opposition, make sure the minimum distance between the two light grid pairs is adhered to

- ① Minimum distance (safe)
- ② Minimum distance (typical)

### Detection capability

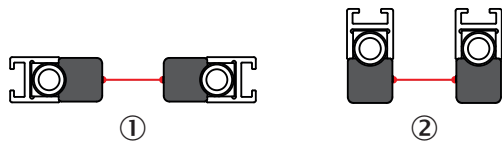
Minimum detectable object (MDO)



$d_{LG}$  = Installed working distance between sender and receiver  
 $d$  = Distance to sender or receiver related to the installed working distance

### Functional principle

Slim & Flat



- ① Slim model = light emission on narrow side
- ② Flat model = light emission on broad side

## Recommended accessories

Other models and accessories → [www.sick.com/SLG-2](http://www.sick.com/SLG-2)

|                                                                                     | Brief description                                                                                                                                                                                                                                                                                                                                                                                                                                                                                   | Type               | Part no. |
|-------------------------------------------------------------------------------------|-----------------------------------------------------------------------------------------------------------------------------------------------------------------------------------------------------------------------------------------------------------------------------------------------------------------------------------------------------------------------------------------------------------------------------------------------------------------------------------------------------|--------------------|----------|
| Connection modules                                                                  |                                                                                                                                                                                                                                                                                                                                                                                                                                                                                                     |                    |          |
|    | External, passive control unit with one pushbutton and three LEDs. Cable with male connector M12, 4-pin; cable material: PUR; housing material: plastic, TPU, reinforced; supply voltage: DC 10 V DC ... 30 V DC; current I <sub>max.</sub> : 510 mA; protection class: III (EN 61140); EMC: EN 61000-6-2, EN 61000-6-4; ambient temperature operation: -25 °C ... +55 °C; ambient temperature storage: -25 °C ... +70 °C                                                                           | ECU1-2121AAZZZ     | 2118078  |
| Distributors                                                                        |                                                                                                                                                                                                                                                                                                                                                                                                                                                                                                     |                    |          |
|    | <ul style="list-style-type: none"> <li>• <b>Connection type head A:</b> Male connector, M12, 5-pin, A-coded</li> <li>• <b>Connection type head B:</b> Female connector, M12, 5-pin, A-coded</li> <li>• <b>Connection type head C:</b> Female connector, M12, 3-pin, A-coded</li> <li>• <b>Signal type:</b> Sensor/actuator cable</li> <li>• <b>Description:</b> Sensor/actuator cable</li> <li>• <b>Application:</b> Zones with oils and lubricants</li> </ul>                                      | YM2A15-000S01FY2A5 | 2099606  |
| Mounting brackets and plates                                                        |                                                                                                                                                                                                                                                                                                                                                                                                                                                                                                     |                    |          |
|    | 4 pieces, Mounting bracket for switching automation light grids, SLG-2                                                                                                                                                                                                                                                                                                                                                                                                                              | BEF-SLG2-SET1      | 2111623  |
| Plug connectors and cables                                                          |                                                                                                                                                                                                                                                                                                                                                                                                                                                                                                     |                    |          |
|    | <ul style="list-style-type: none"> <li>• <b>Connection type head A:</b> Female connector, M12, 4-pin, straight, A-coded</li> <li>• <b>Connection type head B:</b> Flying leads</li> <li>• <b>Signal type:</b> Sensor/actuator cable</li> <li>• <b>Cable:</b> 5 m, 4-wire, PUR, halogen-free</li> <li>• <b>Description:</b> Sensor/actuator cable, unshielded</li> <li>• <b>Application:</b> Zones with oils and lubricants, Drag chain operation, Robot</li> </ul>                                  | YF2A14-050UB3XLEAX | 2095608  |
|  | <ul style="list-style-type: none"> <li>• <b>Connection type head A:</b> Female connector, M12, 4-pin, straight, A-coded</li> <li>• <b>Connection type head B:</b> Male connector, M12, 4-pin, straight, A-coded</li> <li>• <b>Signal type:</b> Sensor/actuator cable</li> <li>• <b>Cable:</b> 5 m, 4-wire, PUR, halogen-free</li> <li>• <b>Description:</b> Sensor/actuator cable, unshielded</li> <li>• <b>Application:</b> Zones with oils and lubricants, Drag chain operation, Robot</li> </ul> | YF2A14-050UB3M2A14 | 2096001  |

## SICK AT A GLANCE

SICK is one of the leading manufacturers of intelligent sensors and sensor solutions for industrial applications. A unique range of products and services creates the perfect basis for controlling processes securely and efficiently, protecting individuals from accidents and preventing damage to the environment.

We have extensive experience in a wide range of industries and understand their processes and requirements. With intelligent sensors, we can deliver exactly what our customers need. In application centers in Europe, Asia and North America, system solutions are tested and optimized in accordance with customer specifications. All this makes us a reliable supplier and development partner.

Comprehensive services complete our offering: SICK LifeTime Services provide support throughout the machine life cycle and ensure safety and productivity.

For us, that is “Sensor Intelligence.”

## WORLDWIDE PRESENCE:

Contacts and other locations –[www.sick.com](http://www.sick.com)