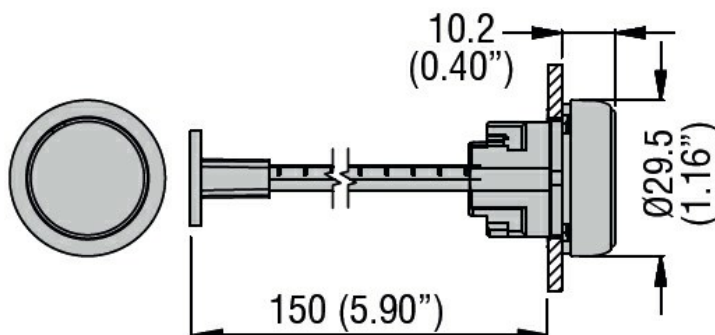




Product designation	Mechanical reset buttons, complete unit, spring return LPSR10		
Product type designation	LPSR10		
<b>General characteristics</b>			
Colour	Blue		
Type of positions	Mechanical reset button		
Material	Aluminium and zinc alloy for metal parts and polyamide for plastic parts		
IEC degree of protection	IP66, IP67 and IP69K		
<b>Mechanical features</b>			
Mechanical life	cycles	5000000	
Fixing	Without mounting adapter		
Mounting adapter	LPXAU120M		
<b>UL technical data</b>			
UL degree of protection	Type1, 2, 3R, 4, 4X, 12, 12K		
<b>Ambient conditions</b>			
Temperature			
Operating temperature		min	°C -25
		max	°C +70
Storage temperature		min	°C -40
		max	°C +85

**Dimensions**



**Certifications and compliance**

**Compliance**

CSA C22.2 n° 14

IEC/EN/BS 60947-1

IEC/EN/BS 60947-5-1

UL508

Certificates

cULus

ETIM classification

ETIM 8.0

EC000029 -  
Push-switch  
button