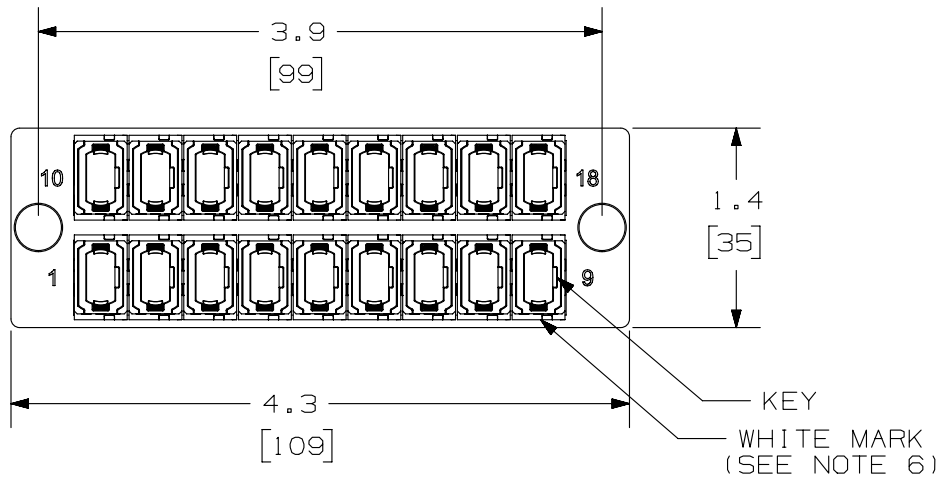
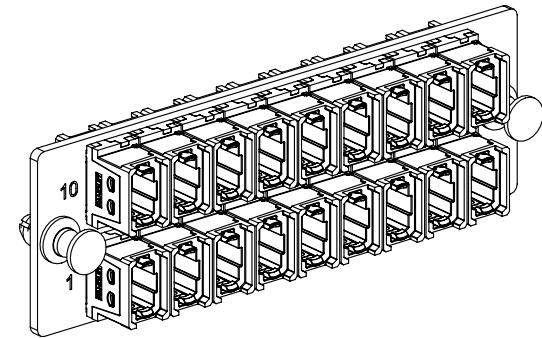
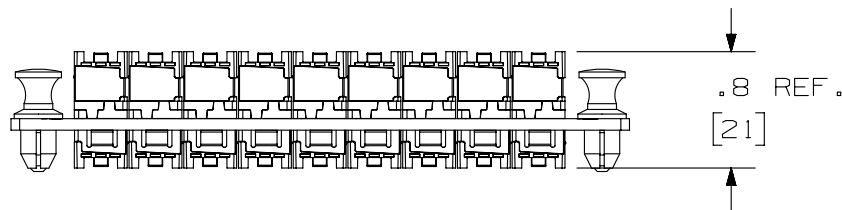


THIS COPY IS PROVIDED ON A RESTRICTED BASIS AND IS NOT TO BE USED IN ANY WAY DETRIMENTAL TO THE INTERESTS OF PANDUIT CORP.



DUST PLUGS NOT SHOWN FOR CLARITY



- NOTES:
- SEE CURRENT CATALOG FOR PART NUMBER SUFFIXES TO INDICATE COLOR AND/OR PACKAGE QUANTITIES.
 - SEE CATALOG FOR COMPLETE LIST OF PARTS APPLICABLE FOR USE WITH THIS PRODUCT.
 - MATERIALS:
 - PLATE: C.R.S. POWDER COATED.
 - ADAPTER: COMPOSITE WITH METAL CLIP.
 - ALL MATERIALS USED MEET THE MATERIAL RESTRICTIONS OF RoHS, (EUROPEAN DIRECTIVE 2011/65/EC ON THE RESTRICTION OF HAZARDOUS SUBSTANCES) AS PROPOSED BY THE RoHS TECHNICAL ADAPTATION COMMITTEE.
 - ADAPTERS ARE SUPPLIED WITH TWO DUST PLUGS.
 - DIMENSIONS IN BRACKETS ARE METRIC.
 - WHITE MARK ON MPO ADAPTER CORRELATES TO FIRST FIBER ON INSTALLED MPO CONNECTOR.

					TITLE 18 POSITION HORIZONTAL MPO FIBER ADAPTER PANEL CUSTOMER DRAWING							
					ITEM REVISION NAME 13F227AQ/00							
					DATASET FILE NAME 13F227AQ_DC/00A							
					UNLESS OTHERWISE SPECIFIED, DIMENSIONAL TOLERANCES ARE: IN (mm) .X ± .xxx ± .010 (0.3) .XX ± .03 (0.8) ANGLES ±							
					PART NO. FAPH1824RDMPO							
					DRAWING NUMBER: 13F227AQ-DC							
00	10-08-13	BSN	WJM	RELEASED TO PRODUCTION	13F227AQ-DC							
REV	DATE	BY	CHK	APR	DESCRIPTION	ECN	DRAWN BY BSN	DATE 10-08-13	CHK WJM	SCALE NONE	SHT 1 OF 1	SIZE A