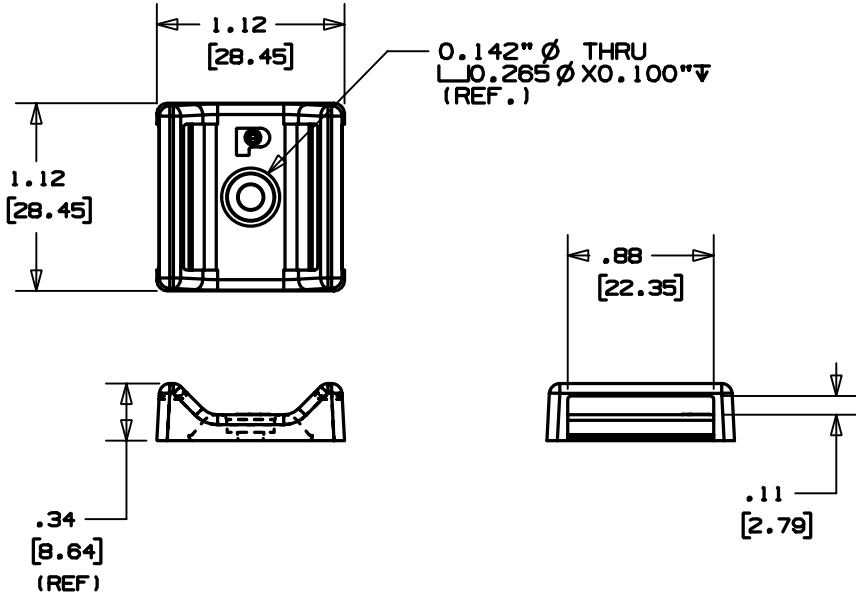
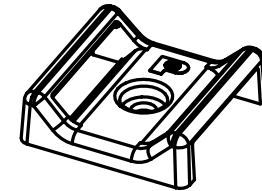
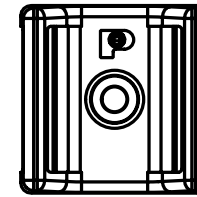


THIS COPY IS PROVIDED ON A RESTRICTED BASIS AND IS NOT TO BE USED IN ANY WAY DETRIMENTAL TO THE INTERESTS OF PANDUIT CORP.



PANDUIT PART NO. (*)	WEIGHT lbs / 100 (g) / pcs.
ABMT-S6-____	0.78 (335)



SCALE: FULL

**NOTES:**

- SEE CURRENT PRICE SHEET FOR PART NUMBER SUFFIX DESIGNATION FOR PACKAGE SIZE AND COLOR.
- S6 SUFFIX, NO ADHESIVE; SCREW APPLIED WITH A #6-32 BUTTON HEAD CAP SCREW.

DIMENSIONS IN BRACKETS ARE METRIC [ mm ]	
C/D FILENAME/LAYERS G02471CE_PB_ABMT_00	
<b>PANDUIT</b> CORP. TINLEY PARK, ILLINOIS	
FLAME RETARDANT MOUNT FOR "TAK-TY" (ABMT-S6-____)	
UNLESS OTHERWISE SPECIFIED, DIMENSIONAL TOLERANCES ARE: (.X) ±0.05 (1.3) (.XX) ±0.010 (0.25) (.XX) ±0.02 (0.5) ANGLES ± 5°	UNLESS OTHERWISE SPECIFIED, ALL DIMENSIONS ARE GIVEN IN INCHES, THIRD ANGLE PROJECTION.
DRAWN BY JAD	MAT'L: SCALE NONE
DATE 12/17/02	NATURAL FR NYLON 6/6 BLACK FR NYLON 6/6
DWG'G	DRAWING NO. GB2471CE Dwg SIZE A

REV	DATE	BY	CHK	DESCRIPTION	ECN - R	CUST	SUP
R	12/17/02	JAD		INITIAL RELEASE	GB2471CE	1	