



Product designation				Power contactor
Product type designation				BFK26
<b>Contact characteristics</b>				
Number of poles	Nr.			3
Rated insulation voltage $U_i$ IEC/EN	V			690
Rated impulse withstand voltage $U_{imp}$	kV			6
Operational frequency	min	Hz	25	
	max	Hz	400	
IEC Conventional free air thermal current $I_{th}$	A			45
Rated operational power AC-6b ( $T \leq 40^\circ C$ )	230V	kvar	11	
	400V	kvar	20	
	440...480V	kvar	22	
	690V	kvar	25	
Short-time allowable current for 10s (IEC/EN60947-1)	A			210
Protection fuse	gG (IEC)	A	40	
		A	260	
Making capacity (RMS value)				260
Breaking capacity at voltage	440V	A	208	
	500V	A	184	
	690V	A	168	
Resistance per pole (average value)		m $\Omega$	2	
Power dissipation per pole (average value)	lth	W	4	
Tightening torque for terminals	min	Nm	2.5	
	max	Nm	3	
	min	lbin	1.8	
	max	lbin	2.2	
Tightening torque for coil terminal	min	Nm	0.8	
	max	Nm	1	
	min	lbin	0.59	
	max	lbin	0.74	
Max number of wires simultaneously connectable	Nr.			2
Conductor section	AWG/Kcmil	max	6	
	Flexible w/o lug conductor section	min	mm <sup>2</sup>	2.5
		max	mm <sup>2</sup>	16
Flexible c/w lug conductor section	min	mm <sup>2</sup>	1	

		max	mm <sup>2</sup>	10
Flexible with insulated spade lug conductor section				
		min	mm <sup>2</sup>	1
		max	mm <sup>2</sup>	10
Power terminal protection according to IEC/EN 60529				IP20 when properly wired
<b>Mechanical features</b>				
Operating position				
		normal allowable		Vertical plan ±30°
Fixing				Screw / DIN rail 35mm
Weight			g	400
Conductor section				
AWG/kcmil conductor section				
		max		6
<b>Operations</b>				
Mechanical life			cycles	20000000
Electrical life			cycles	1600000
<b>Safety related data</b>				
Performance level B10d according to EN/ISO 13489-1				
		rated load	cycles	400000
		mechanical load	cycles	20000000
EMC compatibility				yes
<b>AC coil operating</b>				
Rated AC voltage at 60Hz			V	220
AC operating voltage				
of 60Hz coil powered at 60Hz				
pick-up				
		min	%Us	80
		max	%Us	110
drop-out				
		min	%Us	20
		max	%Us	55
AC average coil consumption at 20°C				
of 60Hz coil powered at 60Hz				
		in-rush	VA	75
		holding	VA	9
Dissipation at holding ≤20°C 50Hz			W	2.5
<b>Max cycles frequency</b>				
Mechanical operation			cycles/h	3600
<b>Operating times</b>				
Average time for Us control in AC				
Closing NO				
		min	ms	8
		max	ms	24
Opening NO				
		min	ms	5
		max	ms	15
Closing NC				
		min	ms	9
		max	ms	20
<b>UL technical data</b>				

General USE

Contactor

AC current A 45

**Ambient conditions**

Temperature

Operating temperature

min °C -50  
max °C 70

Storage temperature

min °C -60  
max °C 80

Max altitude

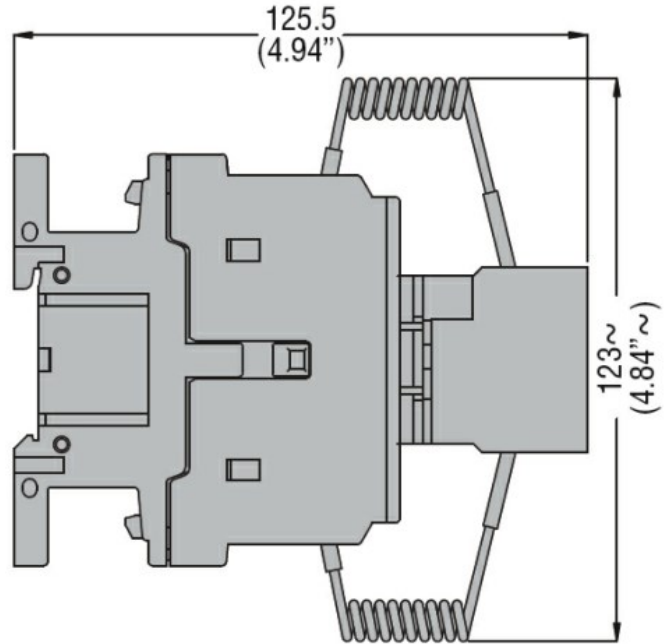
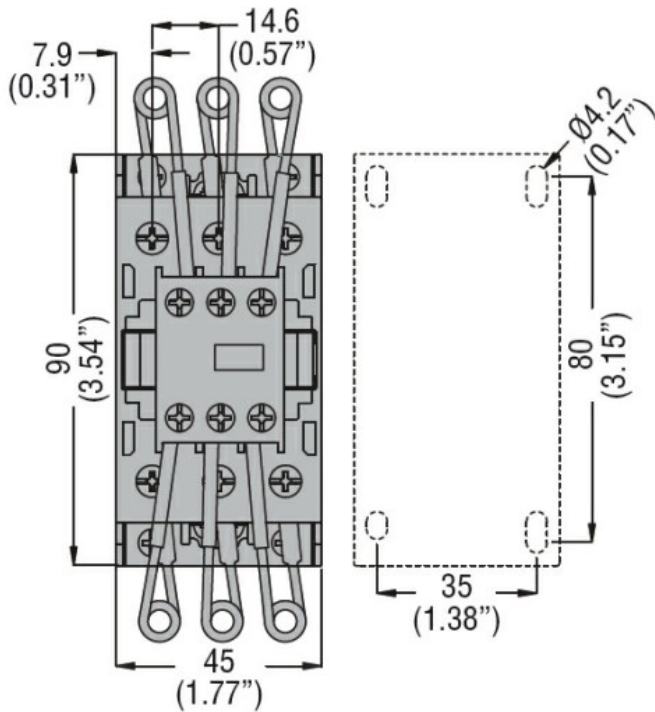
m 3000

**Resistance & Protection**

Pollution degree

3

**Dimensions**



**Wiring diagrams**



**Certifications and compliance**

Compliance

CSA C22.2 n° 60947-1  
CSA C22.2 n° 60947-4-1  
IEC/EN/BS 60947-1  
IEC/EN/BS 60947-4-1  
UL 60947-1  
UL 60947-4-1

Certificates

CCC  
cULus  
EAC

**ETIM classification**

ETIM 8.0

EC001079 -  
Capacitor  
contactor