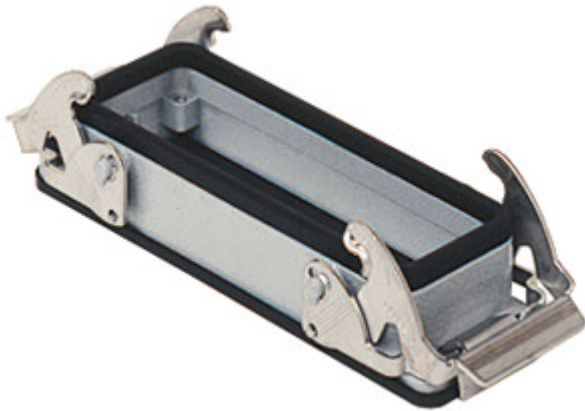


Part number

C7I 10



Bulkhead mounting housing, V-TYPE series, with 2 levers, size "57.27"

Product description

Product type	Bulkhead mounting housing
Series	V-TYPE
Closing type	With 2 levers
Size	Size 57.27
Cable entry	Without cable entry

Technical data

IP degree of protection	IP66 / IP67 / IP69
--------------------------------	--------------------

Further technical details

Weight	137,60 g
Operating temperature range (min, max)	-40°C...+125°C

Material properties

Other materials	Lever: Stainless steel Gasket: NBR
Colour	RAL 7040 grey
RoHs conformity	Compliant
China RoHs - EFUP	E
REACH SVHC substances	No

Approvals / Standards

Certifications	DNV, BV
UL	ECBT2
cUL	ECBT8

General ordering information

EAN13 code	8015747093620
eCl@ss 8.1	27440202
ETIM 7.0	EC000437

Packaging Information

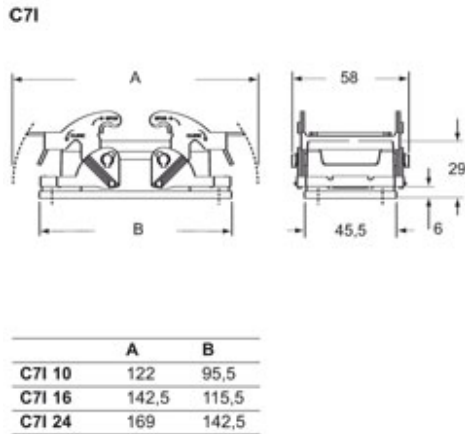
Packaging length	310,00 mm
Packaging height	220,00 mm
Packaging width	280,00 mm
Packaging weight	6,04 kg
Packaging volume	19,10 dm ³
Packaging description	Carton box
Packaging quantity	40 Pcs
Packaging EAN code	8015747178112
Sub-packaging weight	0,76 kg
Sub-packaging description	Plastic packaging
Sub-packaging quantity	5 Pcs
Sub-packaging EAN barcode	8015747178129

Part number

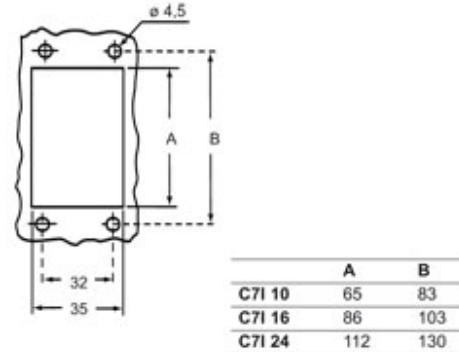
C7I 10



Catalogue drawings



Catalogue drawings



Notes

C7I:

Due to the vertical closing movement, the new lever offers an IP66/IP67 protection (according to EN 60529) when fitted with a complete and coupled connector and used with ILME standard hoods in die cast aluminum with pegs (without adaptor).

For bulkhead-mounting housings, the IP66/IP67 protection class is guaranteed if the housings are fitted on sufficiently rigid panels, M4 screws of suitable length (negligible bending of the surface when exposed to the tightening torque of 0.8-1.2Nm of the fixing screws or to the deformations caused by the actual weight of the complete connector).

If rigidity is insufficient, is advisable to use CG .. FL flanges, M4 screws of suitable length and M4 flat/elastic washers (for the housing side) and M6 flat/elastic washers (for the flange side) with M4 locking nuts.

It is also important to check that the panel in contact with the gasket of the bulkhead-mounting housing flange is free from imperfections (deep scratches, grooves, burs) that could affect the operation of the gasket.

Dimensions shown in mm are not binding and may be changed without notice.