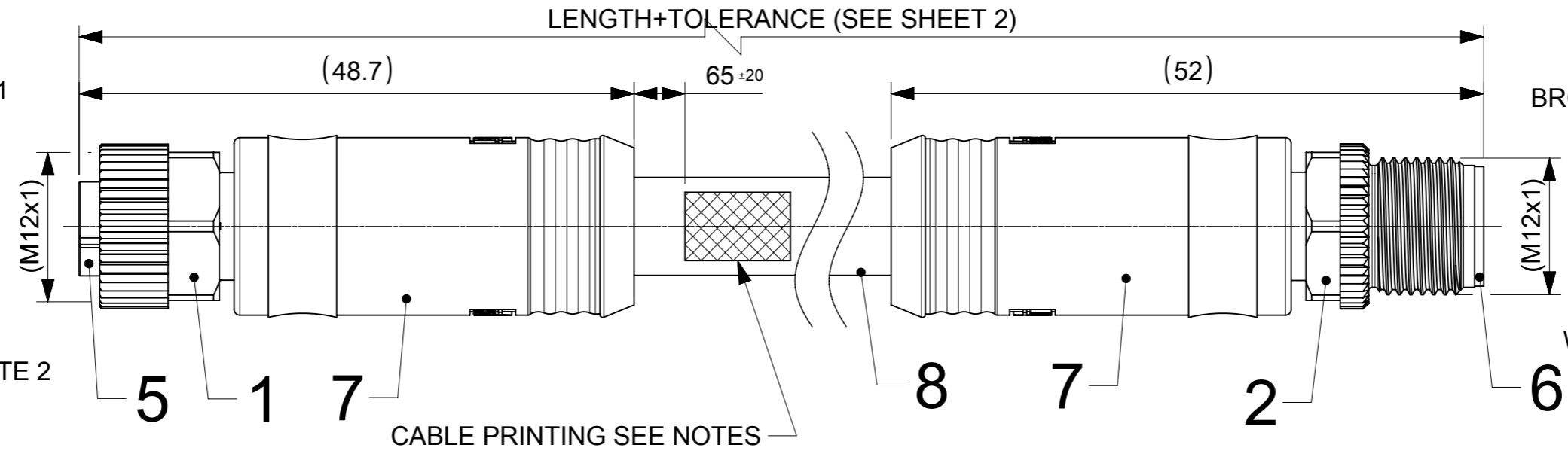
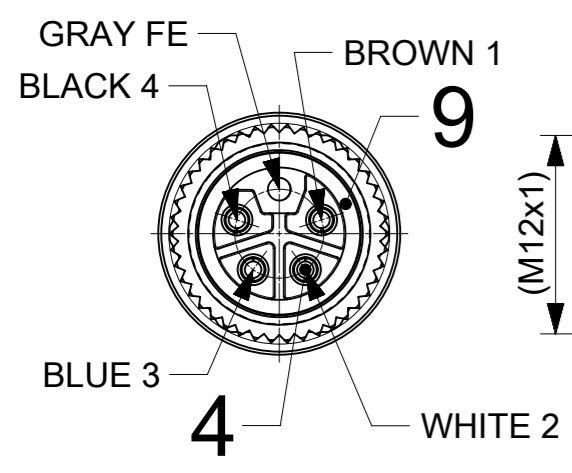
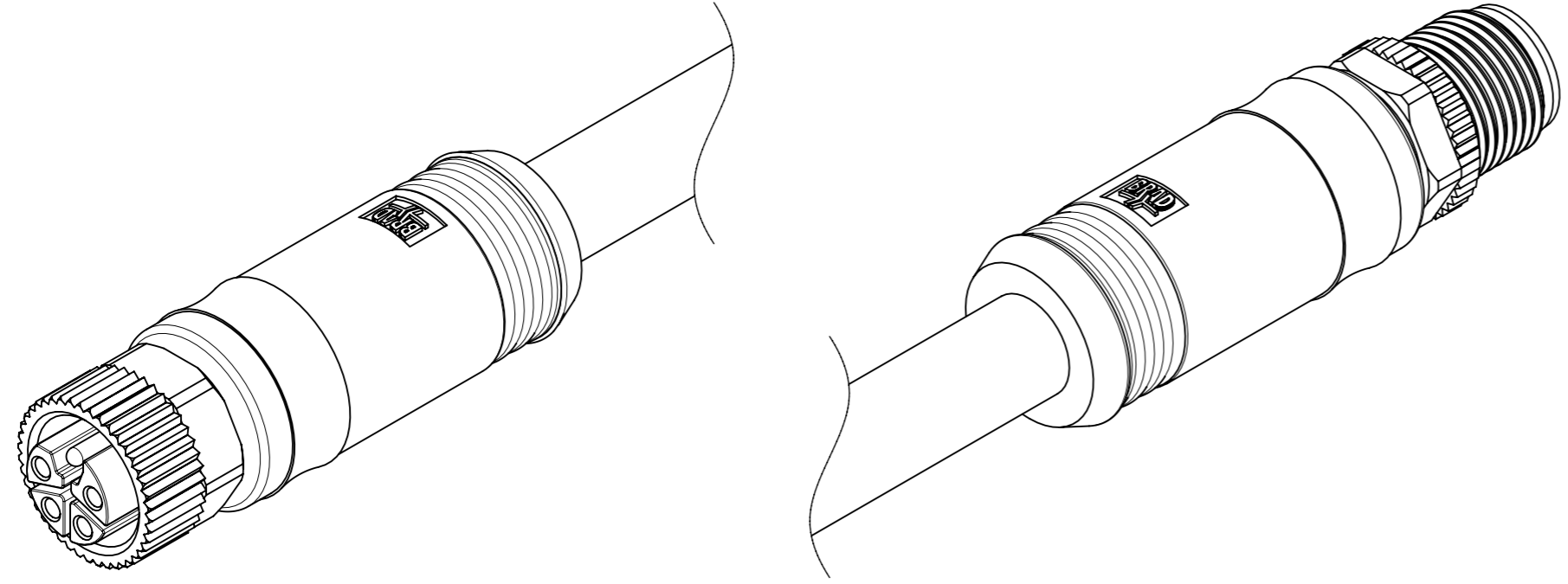
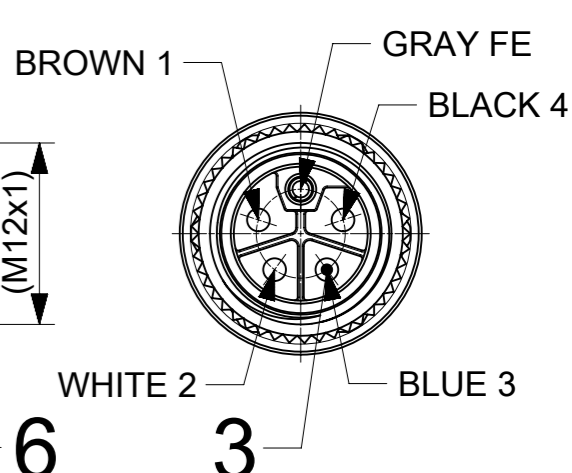


**MATING SIDE**



**MATING SIDE**



**NOTES:**

RATED VOLTAGE: MAX. 63V AC/DC  
 RATED CURRENT: MAX. 12A at 40°C (derating has to be considered)  
 IP RATING: IP67 (mated and locked condition)  
 TEMPERATURE RANGE: -25°C TO +85°C

CABLE PRINTING (sequence as shown below):  
 - MOLEX part number  
 - "Made in " COUNTRY OF ORIGIN  
 - MOLEX AND DATE OF MANUFACTURING (YY=YEAR; WW=WEEK): MXYWW  
 - Not for current interrupting

PART ACCORDING PRODUCT SPEC: 1205010169  
 PACKAGING ACCORDING PACKAGING SPEC: 1201202000

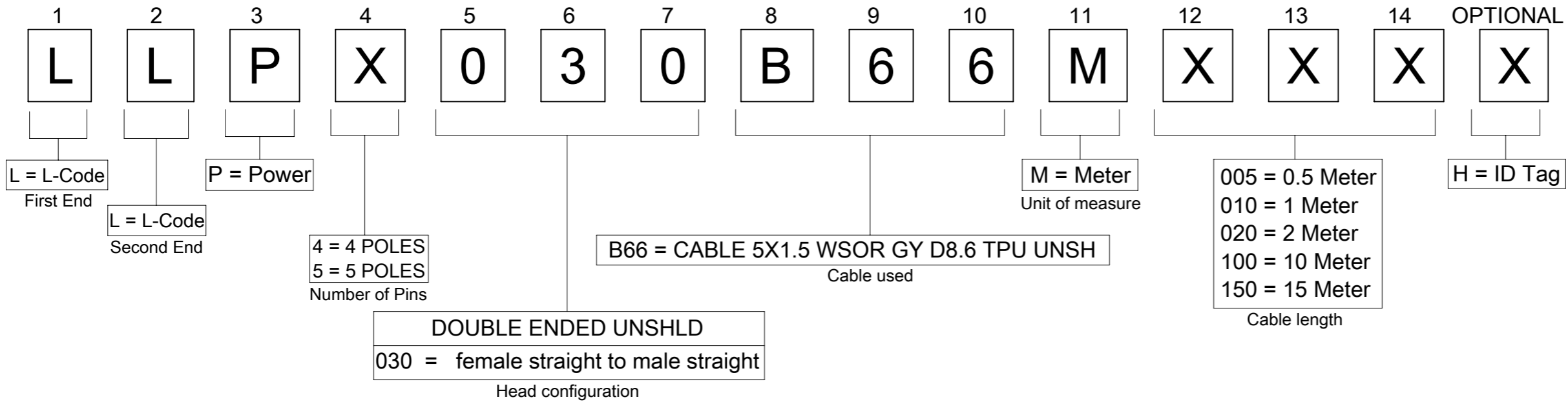
**BILL OF MATERIAL**

POS	DESCRIPTION	MATERIAL	FINISH
1	NUT M12 FE	BRASS	Ni
2	NUT M12 MA	BRASS	Ni
3	CONTACT 15 MA	BRASS	Au
4	CONTACT 15 FE	BRASS	Au
5	INSERT FEMALE	PA	GREY
6	INSERT MALE	PA	GREY
7	OVERMOLD	TPE	BLACK
8	CABLE 5x1.5 D8.6 WSOR	PUR	GREY
9	GASKET OR 8.2X1.25	FKM	BLACK
OPTIONAL 10	ID CARRIER	-	-

OPTIONAL

FUNCTIONAL SYMBOLS $\nabla_A = 0$ $\nabla_E = 0$ $\nabla_V = 0$	THIS DRAWING CONTAINS INFORMATION THAT IS PROPRIETARY TO MOLEX ELECTRONIC TECHNOLOGIES, LLC AND SHOULD NOT BE USED WITHOUT WRITTEN PERMISSION	SCALE	CURRENT REV DESC: NEW P/N'S ADDED			
	DIMENSION UNITS	2:1	 CSE M12 5P LC FE STR MA STR WSOR GY XM PRODUCT CUSTOMER DRAWING			
	GENERAL TOLERANCES (UNLESS SPECIFIED)					
	ANGULAR TOL	± 1.0°				
4 PLACES	±					
DIVISIONAL SYMBOLS 3 PLACES ± 2 PLACES ± 0.05 1 PLACE ± 0.3 0 PLACES ± 0.5	EC NO: 776660	DRWN: RSCHIEBER	2024/02/08	DOCUMENT NUMBER: 1205010200 DOC TYPE: PSD DOC PART: 000 REVISION: A3		
	3 PLACES ±	CHK'D: RSILLER	2024/02/09			
	2 PLACES ± 0.05	APPR: RSILLER	2024/02/09			
	1 PLACE ± 0.3	INITIAL REVISION:				
	0 PLACES ± 0.5	DRWN: FDAFERNER	2020/08/19			
DRAFT WHERE APPLICABLE MUST REMAIN WITHIN DIMENSIONS	THIRD ANGLE PROJECTION	DRAWING	SERIES	MATERIAL NUMBER	CUSTOMER	SHEET NUMBER
		A3-SIZE	120501	SEE SHEET 2	GENERAL MARKET	1 OF 2

# ENGINEERING NO - NUMERICAL CODE (Available parts see PART LIST table. Other parts available upon request).



## PART LIST

NOMINAL SECTION 1,5mm <sup>2</sup>		
MATERIAL NO.	ENGINEERING NO.	L [mm]
1205010264	LLP5030B66M003	300
1205010200	LLP5030B66M005	500
1205010201	LLP5030B66M010	1000
1205010202	LLP5030B66M020	2000
1205010203	LLP5030B66M030	3000
1205010265	LLP5030B66M040	4000
1205010204	LLP5030B66M050	5000
1205010266	LLP5030B66M060	6000
1205010267	LLP5030B66M070	7000
1205010268	LLP5030B66M080	8000
1205010205	LLP5030B66M100	10000
1205010269	LLP5030B66M120	12000
1205010270	LLP5030B66M140	14000
1205010206	LLP5030B66M150	15000
1205010271	LLP5030B66M180	18000
1205010207	LLP5030B66M200	20000
1205010272	LLP5030B66M230	23000
1205010273	LLP5030B66M270	27000
1205010274	LLP5030B66M300	30000
1205010275	LLP5030B66M340	34000
1205010276	LLP5030B66M380	28000
1205010277	LLP5030B66M420	42000
1205010278	LLP5030B66M460	46000

NOMINAL SECTION 1,5mm <sup>2</sup>		
MATERIAL NO.	ENGINEERING NO.	L [mm]
1205010279	LLP5030B66M500	50000
1205010280	LLP5030B66M540	54000
1205010281	LLP5030B66M570	57000
1205010282	LLP5030B66M610	61000

### CABLE LENGTH TOLERANCES

LENGTH	TOLERANCE
0 m - 1 m	+40 mm
>1 m - 5 m	+60 mm
>5 m - 10 m	+80 mm
>10 m - 20 m	+140 mm
>20 m - 30 m	+160 mm
>30 m	+1% length

FUNCTIONAL SYMBOLS	THIS DRAWING CONTAINS INFORMATION THAT IS PROPRIETARY TO MOLEX ELECTRONIC TECHNOLOGIES, LLC AND SHOULD NOT BE USED WITHOUT WRITTEN PERMISSION	CURRENT REV DESC: NEW P/N'S ADDED		<b>molex</b>																																						
	<table border="1"> <tr><td>FUNCTIONAL SYMBOLS</td><td>THIS DRAWING CONTAINS INFORMATION THAT IS PROPRIETARY TO MOLEX ELECTRONIC TECHNOLOGIES, LLC AND SHOULD NOT BE USED WITHOUT WRITTEN PERMISSION</td><td colspan="2">CURRENT REV DESC: NEW P/N'S ADDED</td></tr> <tr><td>▽A = 0</td><td>DIMENSION UNITS: mm</td><td>SCALE: 1:1</td><td></td></tr> <tr><td>▽E = 0</td><td colspan="3">GENERAL TOLERANCES (UNLESS SPECIFIED)</td></tr> <tr><td>▽F = 0</td><td colspan="3">ANGULAR TOL ± 1.0°</td></tr> <tr><td></td><td>4 PLACES</td><td>±</td><td></td></tr> <tr><td></td><td>3 PLACES</td><td>±</td><td></td></tr> <tr><td></td><td>2 PLACES</td><td>± 0.05</td><td></td></tr> <tr><td></td><td>1 PLACE</td><td>± 0.3</td><td></td></tr> <tr><td></td><td>0 PLACES</td><td>± 0.5</td><td></td></tr> <tr><td></td><td colspan="3">DRAFT WHERE APPLICABLE MUST REMAIN WITHIN DIMENSIONS</td></tr> </table>	FUNCTIONAL SYMBOLS	THIS DRAWING CONTAINS INFORMATION THAT IS PROPRIETARY TO MOLEX ELECTRONIC TECHNOLOGIES, LLC AND SHOULD NOT BE USED WITHOUT WRITTEN PERMISSION		CURRENT REV DESC: NEW P/N'S ADDED		▽A = 0	DIMENSION UNITS: mm	SCALE: 1:1		▽E = 0	GENERAL TOLERANCES (UNLESS SPECIFIED)			▽F = 0	ANGULAR TOL ± 1.0°				4 PLACES	±			3 PLACES	±			2 PLACES	± 0.05			1 PLACE	± 0.3			0 PLACES	± 0.5			DRAFT WHERE APPLICABLE MUST REMAIN WITHIN DIMENSIONS		
FUNCTIONAL SYMBOLS	THIS DRAWING CONTAINS INFORMATION THAT IS PROPRIETARY TO MOLEX ELECTRONIC TECHNOLOGIES, LLC AND SHOULD NOT BE USED WITHOUT WRITTEN PERMISSION	CURRENT REV DESC: NEW P/N'S ADDED																																								
▽A = 0	DIMENSION UNITS: mm	SCALE: 1:1																																								
▽E = 0	GENERAL TOLERANCES (UNLESS SPECIFIED)																																									
▽F = 0	ANGULAR TOL ± 1.0°																																									
	4 PLACES	±																																								
	3 PLACES	±																																								
	2 PLACES	± 0.05																																								
	1 PLACE	± 0.3																																								
	0 PLACES	± 0.5																																								
	DRAFT WHERE APPLICABLE MUST REMAIN WITHIN DIMENSIONS																																									
DIVISIONAL SYMBOLS	INITIAL REVISION: DRWN: FDAFERNER 2020/08/19 APPR: RSILLER 2022/12/05	DOCUMENT NUMBER: 1205010200 DOC TYPE: PSD DOC PART: 000 REVISION: A3	MATERIAL NUMBER: SEE SHEET 2 CUSTOMER: GENERAL MARKET SHEET NUMBER: 2 OF 2																																							