

Product designation				Rotary cam switches
Product type designation				7GN32
General characteristics				
Switching diagram				07 - ON/OFF switch 3 poles
N° of elements				2
Mounting form				U25 - Front mounting with red/yellow handle padlockable in 0 and protection covers
Contact characteristics				
Rated insulation voltage U_i	IEC/EN	V	690	
	UL/CSA	V	600	
Rated impulse withstand voltage U_{imp}		kV	6	
Conventional free air thermal current I_{th}	IEC/EN	A	32	
	UL/CSA	A	40	
Rated operational voltage		V	480	
Rated operational impulse voltage		kV	4	
Maximum fuse size for short-circuit protection I_n (gG)	10kA	A	32	
	15kA	A	32	
	25kA	A	32	
	50kA	A	32	
Rated short time current I_{cw}	1s	A	800	
Conductivity				10/5 mA/V
Operational current I_e IEC/EN				
AC1/AC21A		A	32	
AC15	110V	A	25	
	220/230V	A	20	
	380/400V	A	10	
	660/690V	A	2	
Rated operational power in AC				
Three-phase AC-3	220/230V	kW	7.5	
	380/440V	kW	11	
	500/690V	kW	11	
Single-phase AC-3	110V	kW	2.2	
	220/230V	kW	4	
	380/440V	kW	6.5	
Three-phase AC23A	220/230V	kW	8	
	380/440V	kW	15	
	500/690V	kW	18.5	
Single-phase AC23A				

	110V	kW	2.2
	220/230V	kW	4
	380/440V	kW	7.5
Rated operational current in DC			
DC21A			
	48V	A	32
	60V	A	32
	110V	A	6
	220V	A	0.9
DC23A (poles in series)			
	24V	A	32 (1)
	48V	A	32 (2)
	60V	A	32 (3)
	110V	A	15 (3)
	220V	A	12 (4)
DC13			
	24V	A	32
	48V	A	25
	60V	A	16
	110V	A	3
	220V	A	0.5
Power dissipation		W	1.5
Mechanical features			
Terminals screw			M4
Tightening torque for terminals max		Nm	1.2
Conductor size			
AWG - Rigid cable			
	min	AWG	16
	Max	AWG	8
AWG - Flexible cable			
	min	AWG	16
	Max	AWG	10
Conductor size (IEC) - Flexible cable			
	min	mm ²	1.5
	Max	mm ²	4
Conductor size (IEC) - Rigid cable			
	min	mm ²	1.5
	Max	mm ²	6
Mechanical life		cycles	5x10 ⁶
UL technical data			
Motor power for direct-on-line control			
for three-phase motor			
	120V	HP	5
	240V	HP	10
	480V	HP	15
	600V	HP	15
for single-phase motor			
	120V	HP	2
	240V	HP	5
Ambient conditions			
Temperature			
Operating temperature			
	min	°C	-25
	max	°C	+55

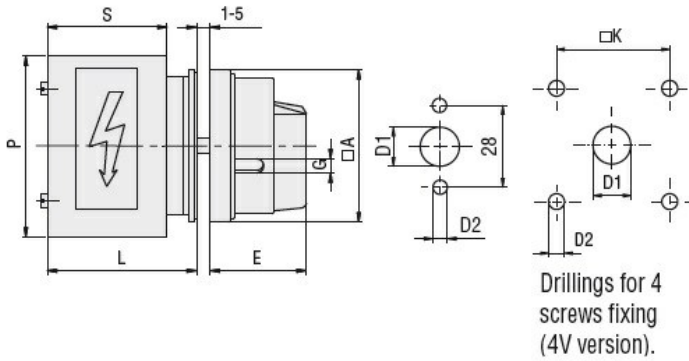
Storage temperature

min	°C	-40
max	°C	+70

Resistance & Protection

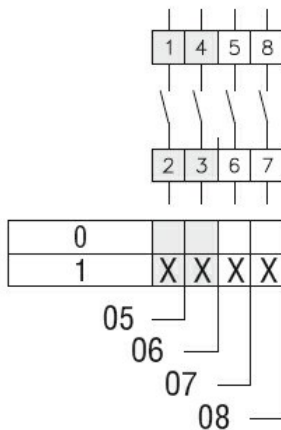
Frontal IP degree	IP40
Terminals IP degree	IP00

Dimensions



Series	Dimensions								
	□A	D1	D2	E	G	□K	S	P	L
7GN12	65	12	5	34.2	5	36	43	64	54.3
7GN20	65	12	5	34.2	5	36	43	64	54.3
7GN25	65	12	5	34.2	5	36	51	68	62.6
7GN32	65	14	5	38	6	48	55	77	71.7
7GN40	65	14	5	38	6	48	55	77	71.7

Wiring diagrams



Certifications and compliance

Compliance

- CSA C22.2 n° 14
- IEC/EN/BS 60947-1
- IEC/EN/BS 60947-3
- IEC/EN/BS 60947-5-1
- UL60947-4-1

Certificates

- cCSAus
- EAC
- UL

ETIM classification

ETIM 8.0

EC001029 -
Selector switch,
complete