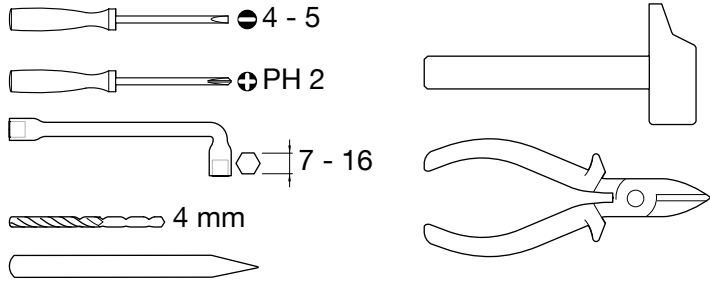
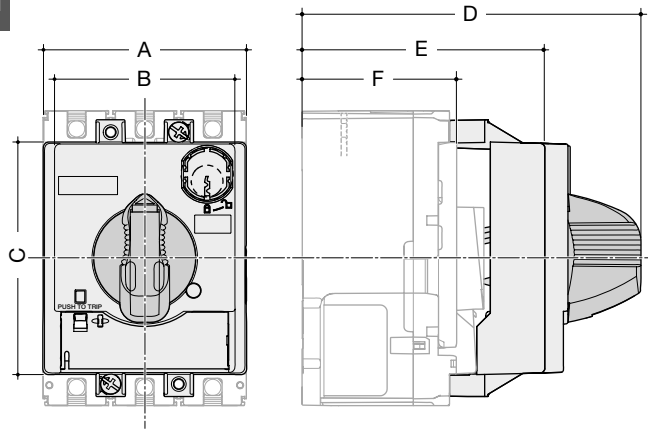
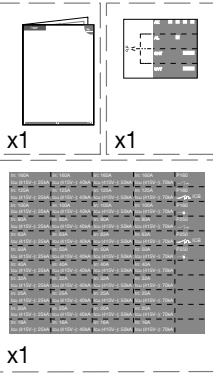
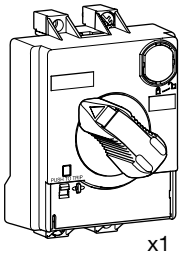


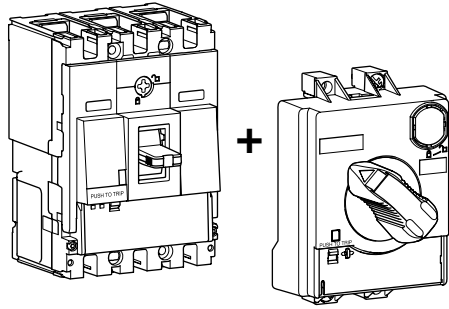
P160 P250  
HXS030H HXT030H



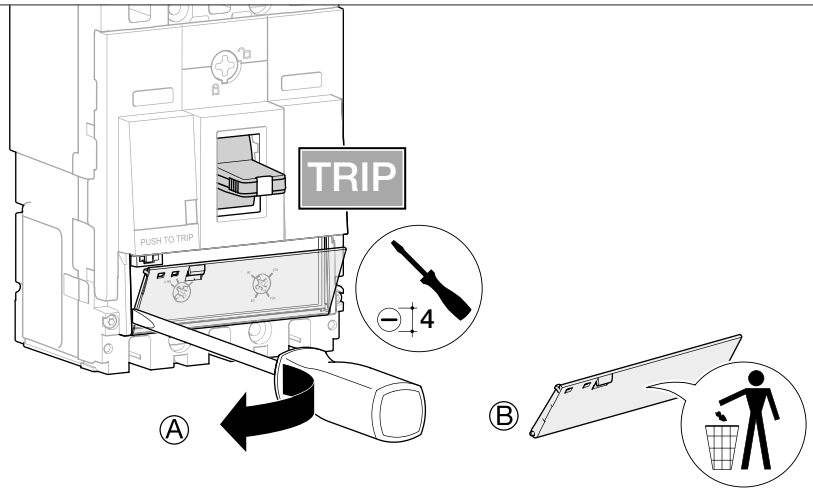
3P-4P



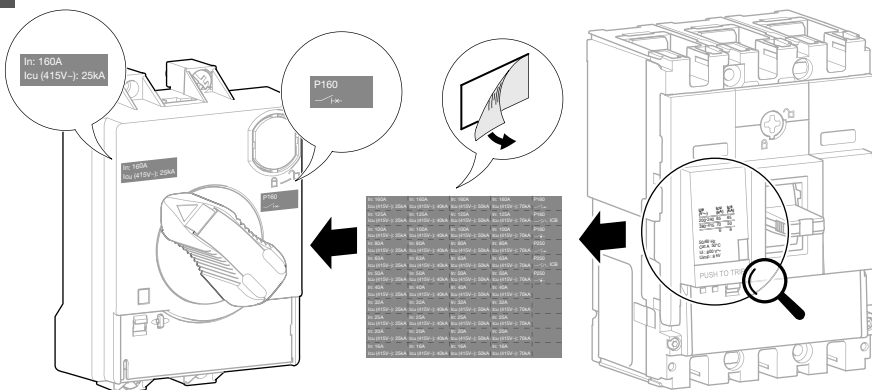
	P160	P250
A	90	105
B	80	95,5
C	102	
D	151	
E	108	
F	68	



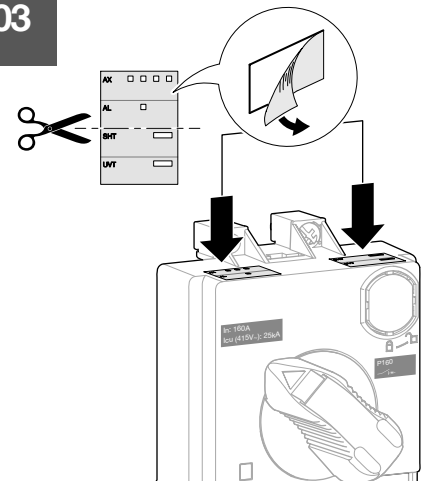
01

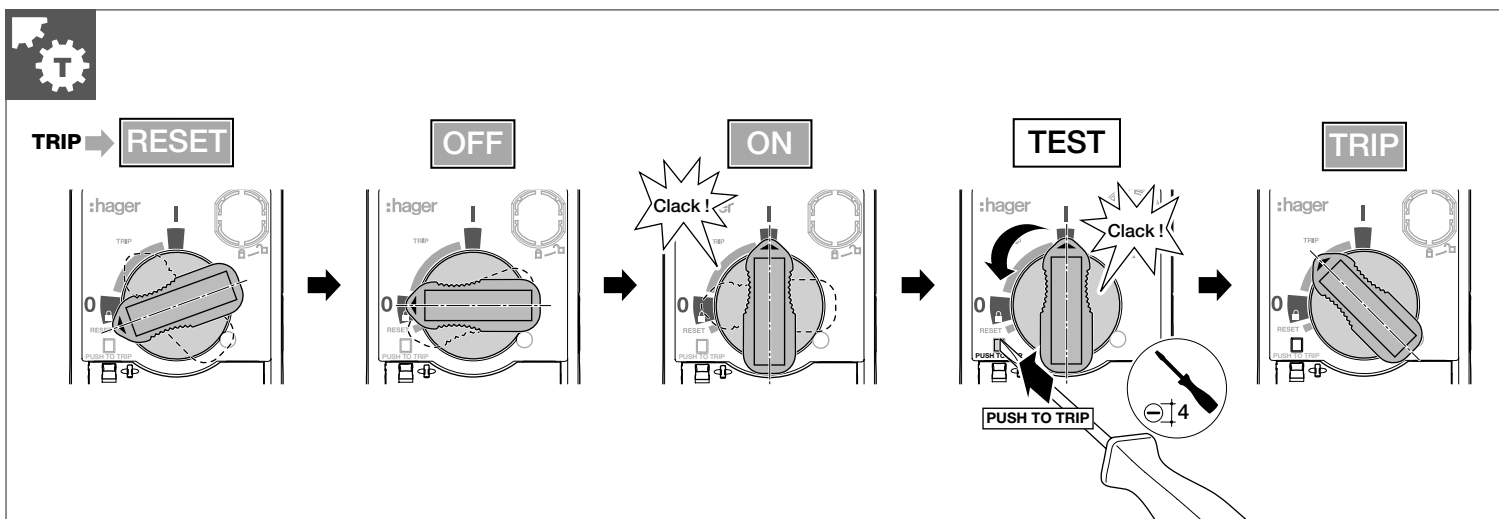
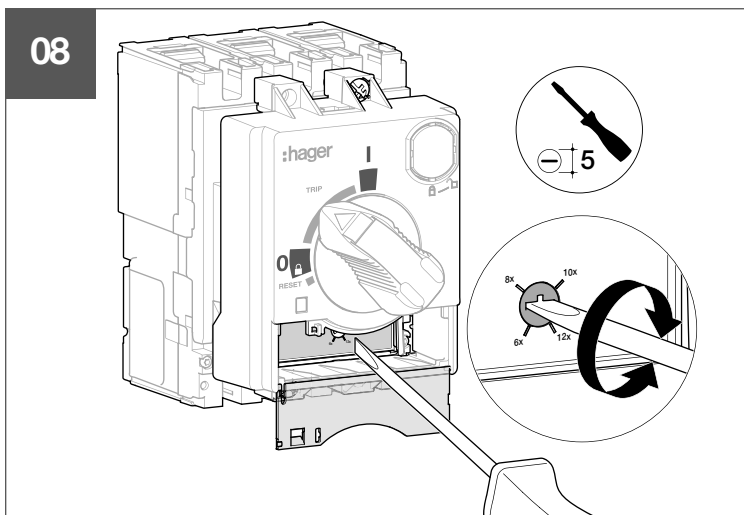
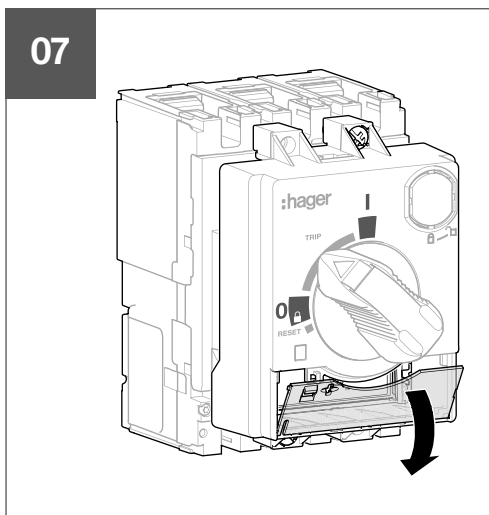
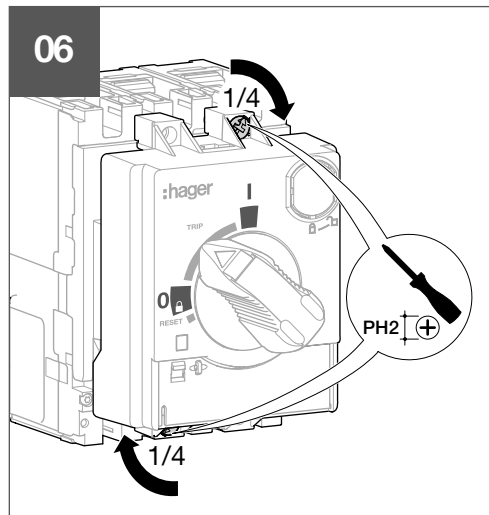
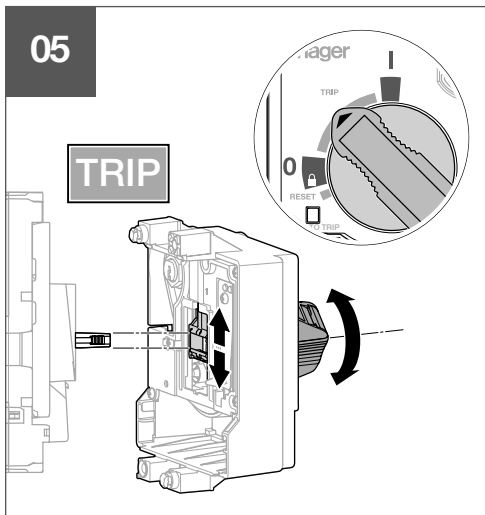
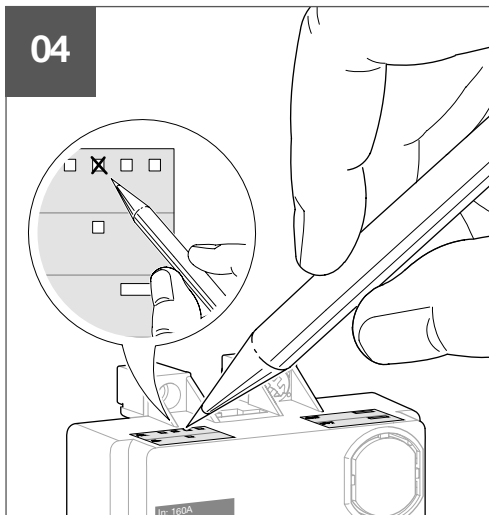


02

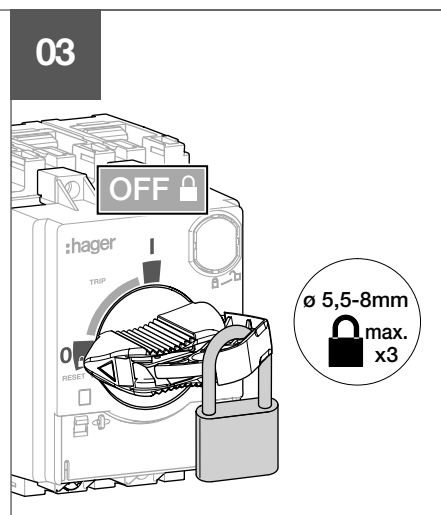
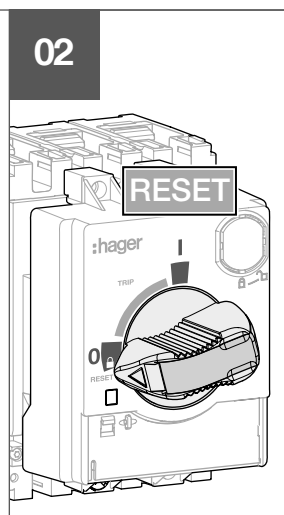
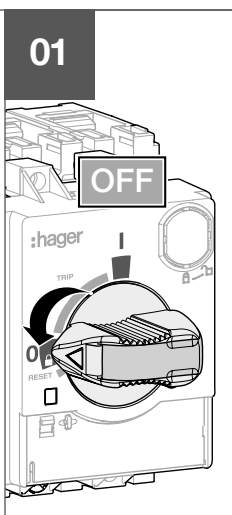


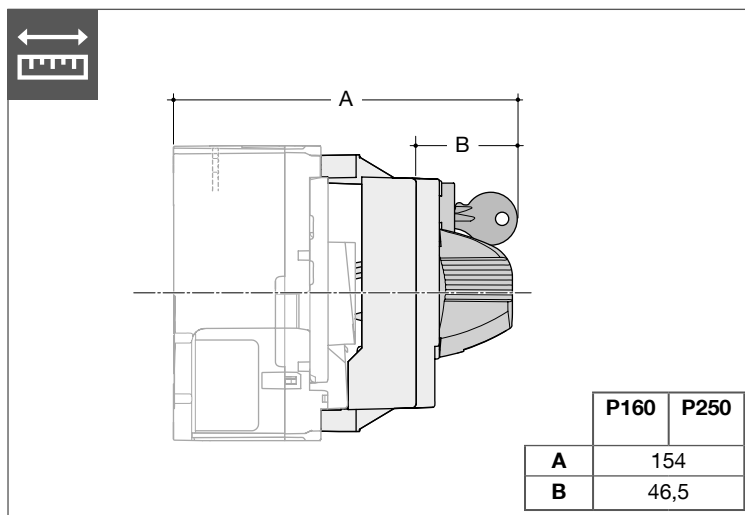
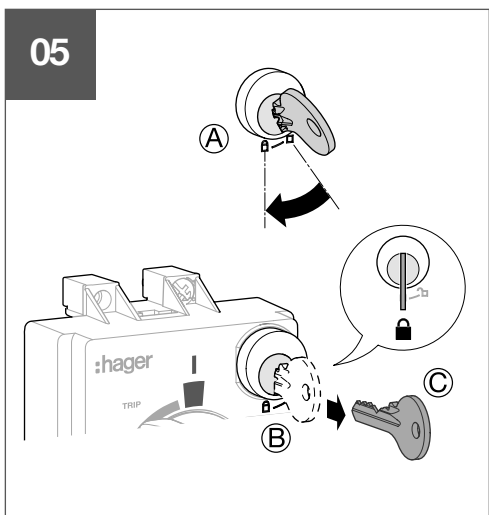
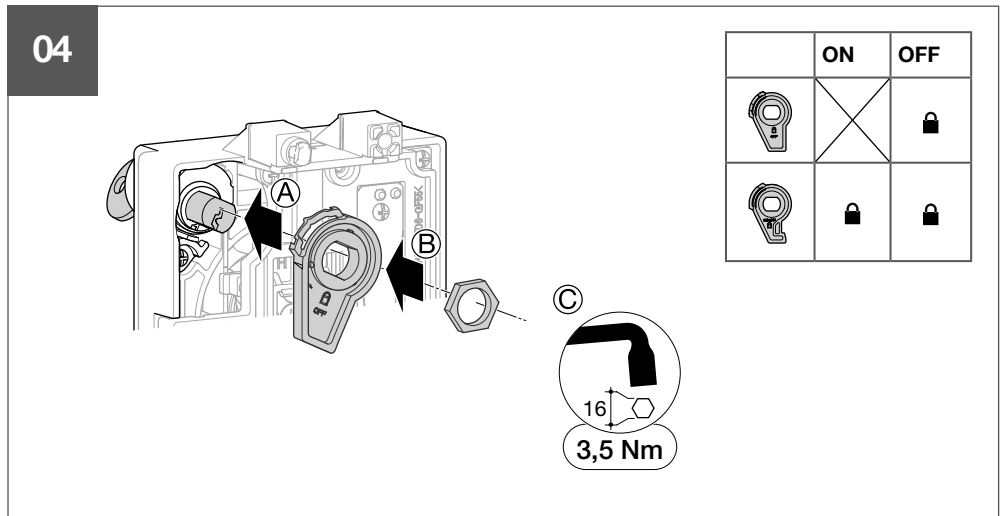
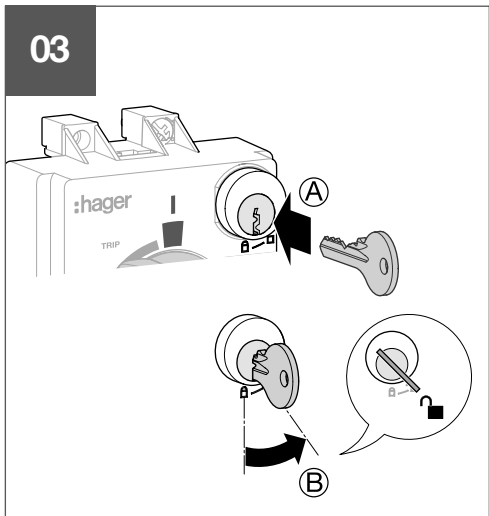
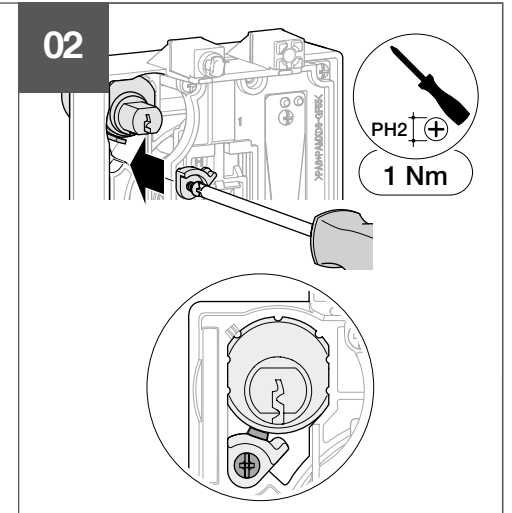
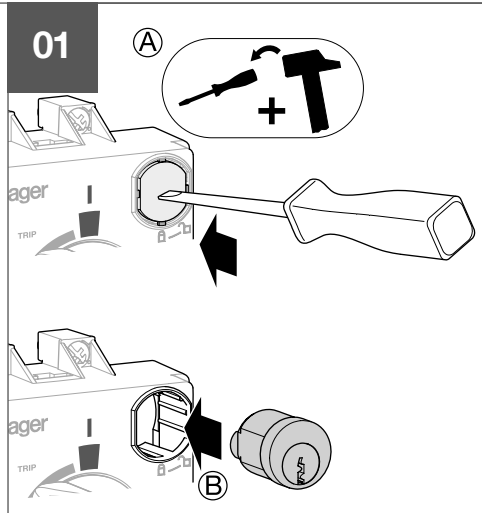
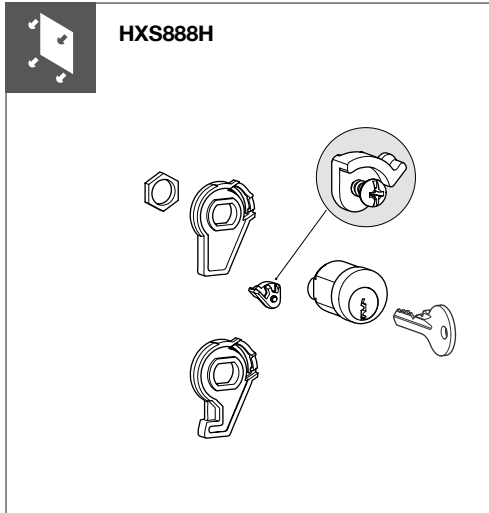
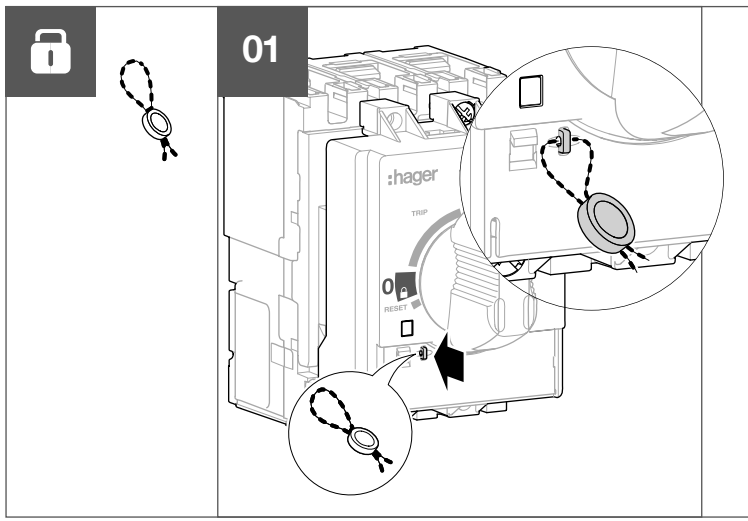
03

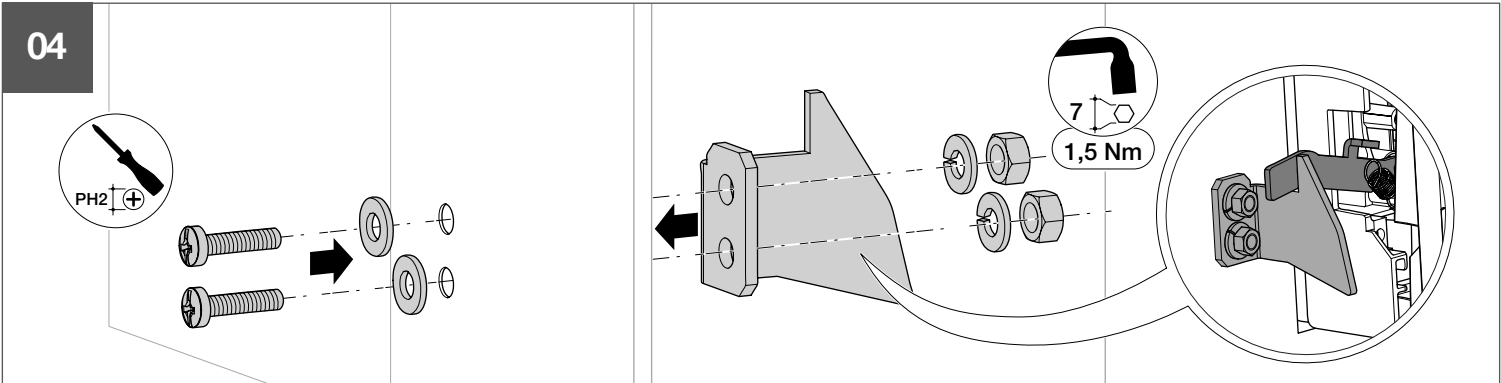
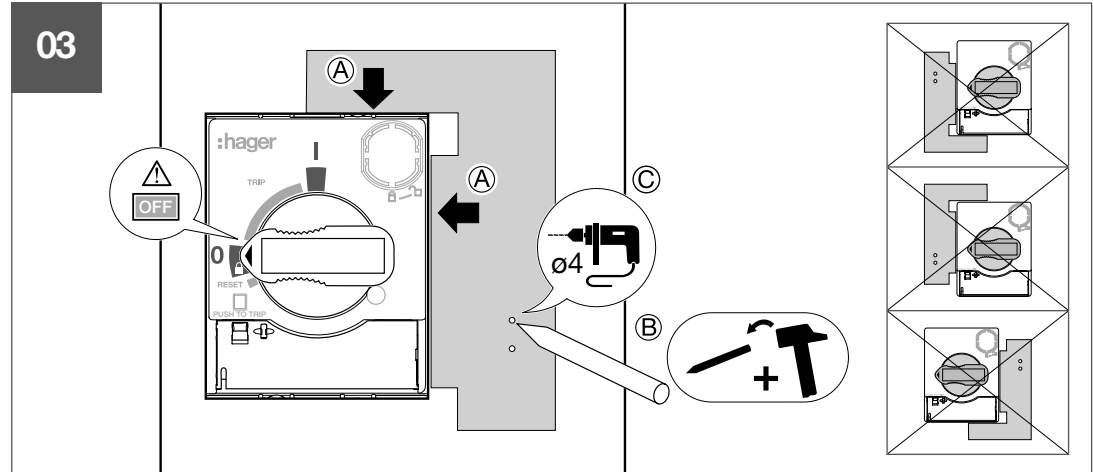
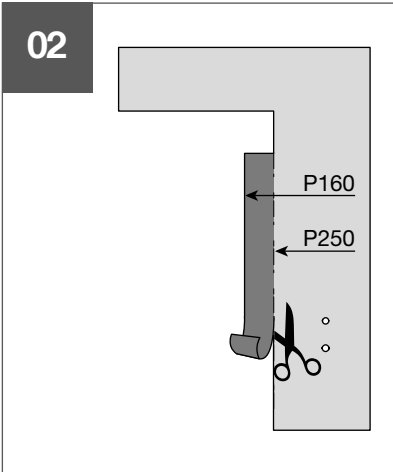
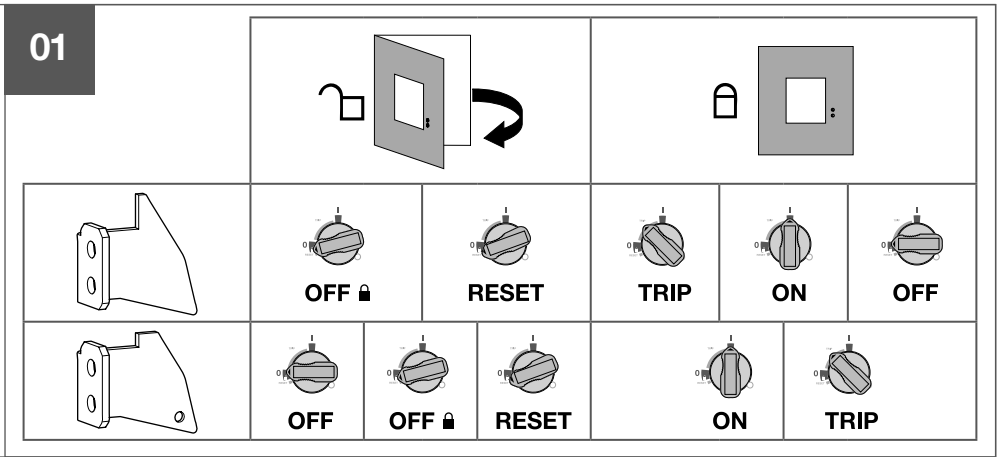
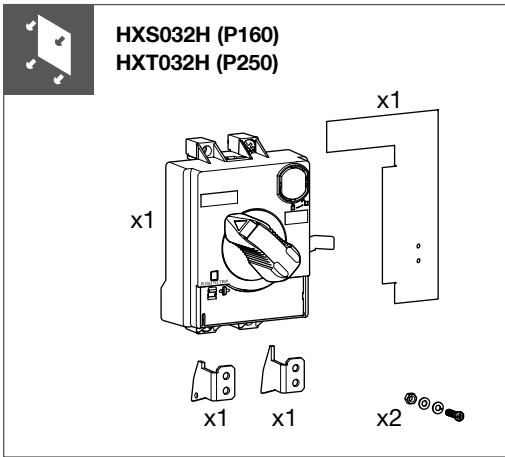




	<b>01</b>		ON	✓
	<b>02</b>		TRIP	✓
	<b>03</b>		OFF	✗
	<b>04</b>		OFF	✓







P160		P250		P160		P250		P160		P250		P160		P250	
HYS050H (3P)	HYT050H (3P)	HYS021H (3P)	HYT021H (3P)	HYS025H (3P)	HYT025H (3P)	HYS052H (3P)	HYT052H (3P)	HYS023H (3P)	HYT023H (3P)	HYS053H (4P)	HYT053H (4P)	HYS024H (4P)	HYT024H (4P)		
HYS051H (4P)	HYT051H (4P)	HYS022H (4P)	HYT022H (4P)	HYS026H (4P)	HYT026H (4P)										

