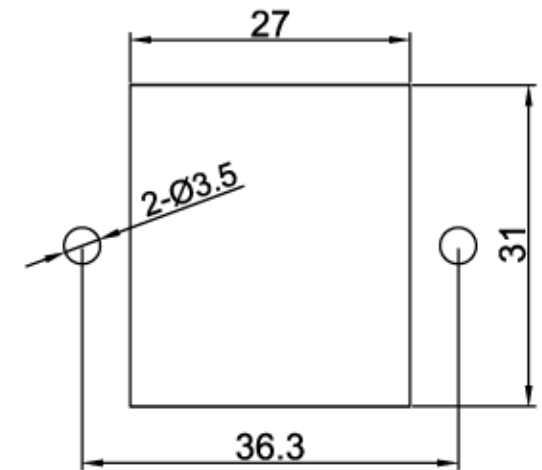


PANEL HOLE SIZE



SPECIFICATIONS

1. RATING: 10A 250VAC ENEC
2. INSULATION RESISTANCE: DC 500V 100M OHMS Min
3. DIELECTRIC STRENGTH: 2000VAC/1 Minute
4. HOUSING MATERIAL: Nylon 66 UL 94v-2 or 94v-0

RL10-1FS-2-P1	
TITLE	SERIES
AC PLUGS	FUNCTION
VIEWS TYPE	DRAWING NUMBER