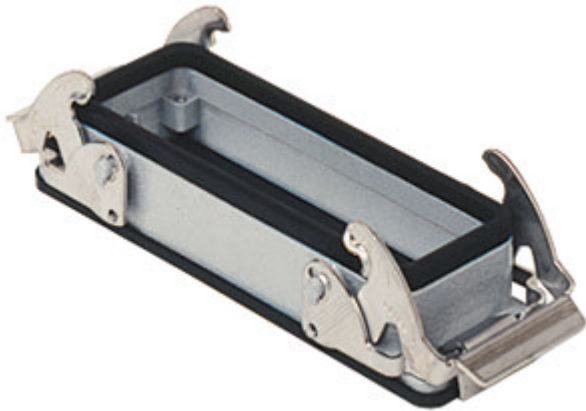


Part number

# C7I 24



Bulkhead mounting housing, V-TYPE series, with 2 levers, size "104.27"

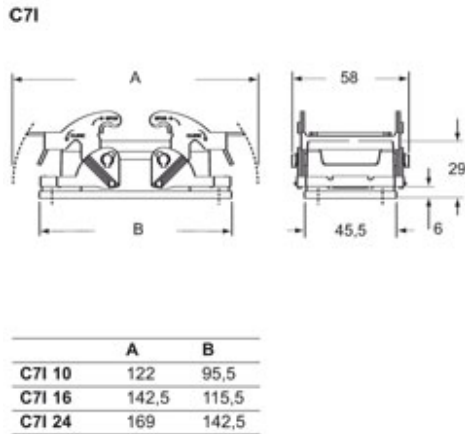
Product description		Material properties	
<b>Product type</b>	Bulkhead mounting housing	<b>Other materials</b>	Lever: Stainless steel Gasket: NBR
<b>Series</b>	V-TYPE	<b>Colour</b>	RAL 7040 grey
<b>Closing type</b>	With 2 levers	<b>RoHs conformity</b>	Compliant
<b>Size</b>	Size 104.27	<b>China RoHs - EFUP</b>	E
<b>Cable entry</b>	Without cable entry	<b>REACH SVHC substances</b>	No
Technical data		Approvals / Standards	
<b>IP degree of protection</b>	IP66 / IP67 / IP69	<b>Certifications</b>	DNV, BV
Further technical details		<b>UL</b>	ECBT2
<b>Weight</b>	177,00 g	<b>cUL</b>	ECBT8
<b>Operating temperature range (min, max)</b>	-40°C...+125°C	General ordering information	
		<b>EAN13 code</b>	8015747093644
		<b>eCl@ss 8.1</b>	27440202
		<b>ETIM 7.0</b>	EC000437
		Packaging Information	
		<b>Packaging length</b>	365,00 mm
		<b>Packaging height</b>	195,00 mm
		<b>Packaging width</b>	305,00 mm
		<b>Packaging weight</b>	7,08 kg
		<b>Packaging volume</b>	21,71 dm <sup>3</sup>
		<b>Packaging description</b>	Carton box
		<b>Packaging quantity</b>	40 Pcs
		<b>Packaging EAN code</b>	8015747178150
		<b>Sub-packaging weight</b>	0,89 kg
		<b>Sub-packaging description</b>	Plastic packaging
		<b>Sub-packaging quantity</b>	5 Pcs
		<b>Sub-packaging EAN barcode</b>	8015747178167

Part number

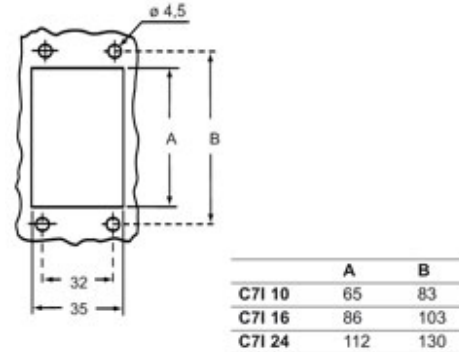
# C7I 24



## Catalogue drawings



## Catalogue drawings



## Notes

C7I:

Due to the vertical closing movement, the new lever offers an IP66/IP67 protection (according to EN 60529) when fitted with a complete and coupled connector and used with ILME standard hoods in die cast aluminum with pegs (without adaptor).

For bulkhead-mounting housings, the IP66/IP67 protection class is guaranteed if the housings are fitted on sufficiently rigid panels, M4 screws of suitable length (negligible bending of the surface when exposed to the tightening torque of 0.8-1.2Nm of the fixing screws or to the deformations caused by the actual weight of the complete connector).

If rigidity is insufficient, it is advisable to use CG .. FL flanges, M4 screws of suitable length and M4 flat/elastic washers (for the housing side) and M6 flat/elastic washers (for the flange side) with M4 locking nuts.

It is also important to check that the panel in contact with the gasket of the bulkhead-mounting housing flange is free from imperfections (deep scratches, grooves, burs) that could affect the operation of the gasket.

Dimensions shown in mm are not binding and may be changed without notice.