



# SAPPB2D-08X0039

Safe Robotics Area Protection

SAFETY SYSTEMS FOR ROBOTS

**SICK**  
Sensor Intelligence.



### Ordering information

#### sBot Speed

Safety controller included	Safety laser scanner included	Protective field range	Product type	Type	Part no.
Flexi Soft (CPU1)	microScan3 Core I/O	5.5 m	Hardware	SAPPB2D-08X0039	1093376

This system variant enables an automatic restart of the robot.

Other models and accessories → [www.sick.com/Safe\\_Robotics\\_Area\\_Protection](http://www.sick.com/Safe_Robotics_Area_Protection)

### Detailed technical data

#### Features

<b>Variant</b>	sBot Speed
<b>Product type</b>	Hardware
<b>Robot controller</b>	Generic
<b>Stopping process of the robot</b>	With speed reduction
<b>Robot restart</b>	Automatic
<b>Interfaces</b>	
Communication interface	Discrete I/Os
<b>Safe state in the event of a fault</b>	The safety-related semiconductor outputs are in the OFF state.
<b>Safety laser scanners</b>	microScan3 Core I/O
Protective field range	5.5 m
<b>Safety task</b>	Hazardous area protection
<b>Ambient operating temperature</b>	-10 °C ... +50 °C
<b>Storage temperature</b>	-20 °C ... +50 °C
<b>Air humidity</b>	90% at 50 °C (EN 61131-2)
<b>Safety controller included</b>	Flexi Soft (CPU1)
Safety controller type	Programmable
<b>Voltage supply</b>	
Supply voltage $V_S$	24 V DC (16.8 V DC ... 28.8 V DC)
<b>Performance level</b>	PL d (ISO 13849-1)
<b>Items supplied</b>	microScan3 Core I/O safety laser scanner FX3-CPU1 Flexi Soft main module FX3-MPLO Flexi Soft system plug FX3-XTIO Flexi Soft I/O module UE410-4R04 Flexi Soft relay module Documentation (operating instructions, SISTEMA file, wiring diagram)

#### Functions

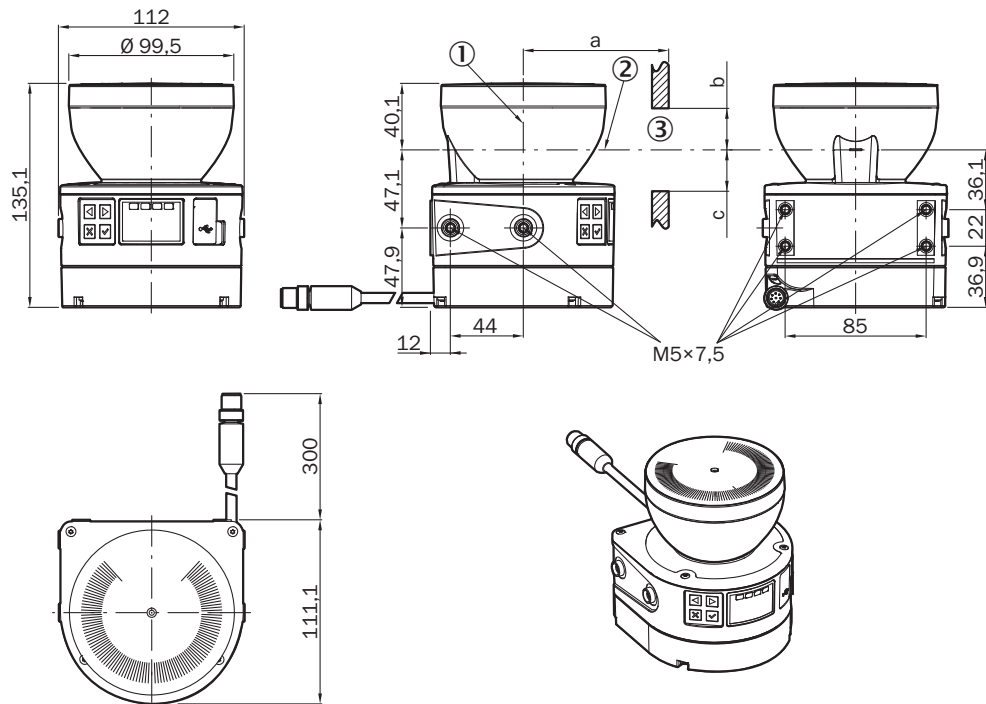
<b>Emergency stop</b>	
Shut down in the event of an emergency situation	✓

Prevent unexpected restarting after an emergency stop	✓
<b>Initiate a safety stop</b>	
Automated reset	✓
<b>Safety-rated monitored speed</b>	
Trigger safety-rated monitored speed	✓
Switch field sets	✓

Classifications

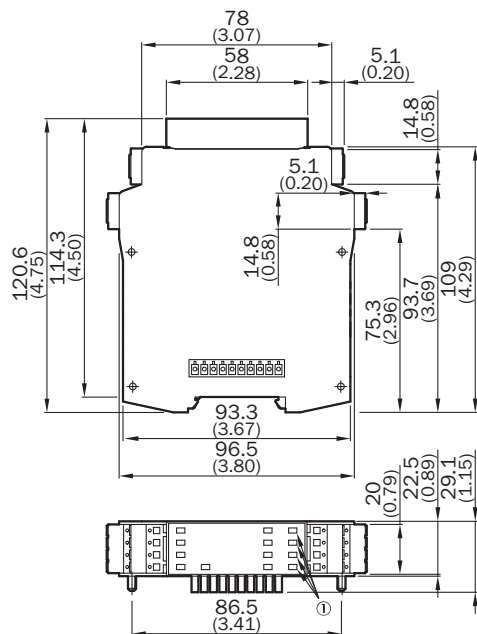
<b>ECLASS 5.0</b>	27279090
<b>ECLASS 5.1.4</b>	27279090
<b>ECLASS 6.0</b>	27279090
<b>ECLASS 6.2</b>	27279090
<b>ECLASS 7.0</b>	27279090
<b>ECLASS 8.0</b>	27279090
<b>ECLASS 8.1</b>	27279090
<b>ECLASS 9.0</b>	27279090
<b>ECLASS 10.0</b>	27279090
<b>ECLASS 11.0</b>	27279090
<b>ECLASS 12.0</b>	27279090
<b>ETIM 5.0</b>	EC001449
<b>ETIM 6.0</b>	EC001449
<b>ETIM 7.0</b>	EC001449
<b>ETIM 8.0</b>	EC001449
<b>UNSPSC 16.0901</b>	32151705

### Dimensional drawing (Dimensions in mm (inch))



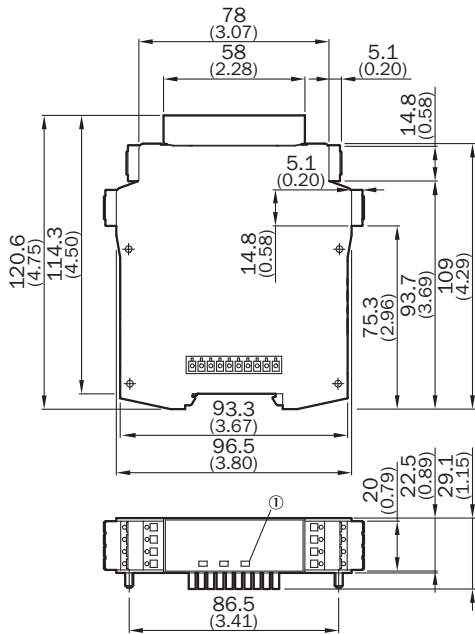
- ① Mirror axis of rotation
- ② Scan plane
- ③ Required viewing slit (a: length of the viewing slit, b: minimum height above the scan plane, c: minimum height below the scan plane. See the operating instructions for details.)

FX3-XTIO, FX3-XTDI



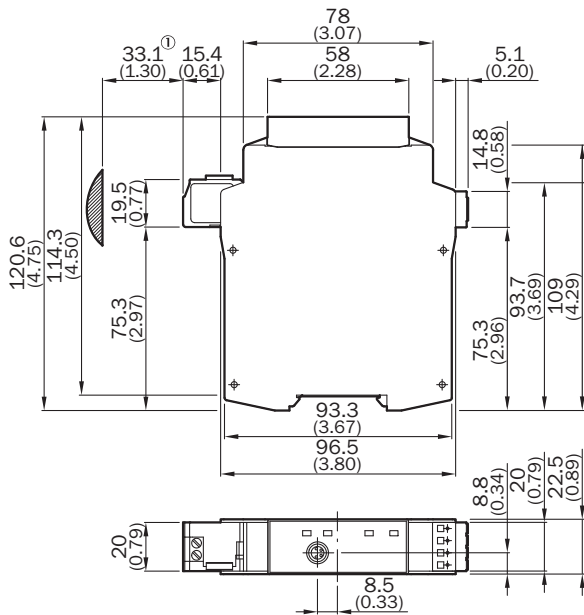
- ① Only valid for FX3-XTIO

UE410-2R04, UE410-4R04



① Only valid for UE410-4R04

FX3-CPU1, FX3-CPU2



① Approximate connector range

## SICK AT A GLANCE

SICK is one of the leading manufacturers of intelligent sensors and sensor solutions for industrial applications. A unique range of products and services creates the perfect basis for controlling processes securely and efficiently, protecting individuals from accidents and preventing damage to the environment.

We have extensive experience in a wide range of industries and understand their processes and requirements. With intelligent sensors, we can deliver exactly what our customers need. In application centers in Europe, Asia and North America, system solutions are tested and optimized in accordance with customer specifications. All this makes us a reliable supplier and development partner.

Comprehensive services complete our offering: SICK LifeTime Services provide support throughout the machine life cycle and ensure safety and productivity.

For us, that is “Sensor Intelligence.”

## WORLDWIDE PRESENCE:

Contacts and other locations –[www.sick.com](http://www.sick.com)