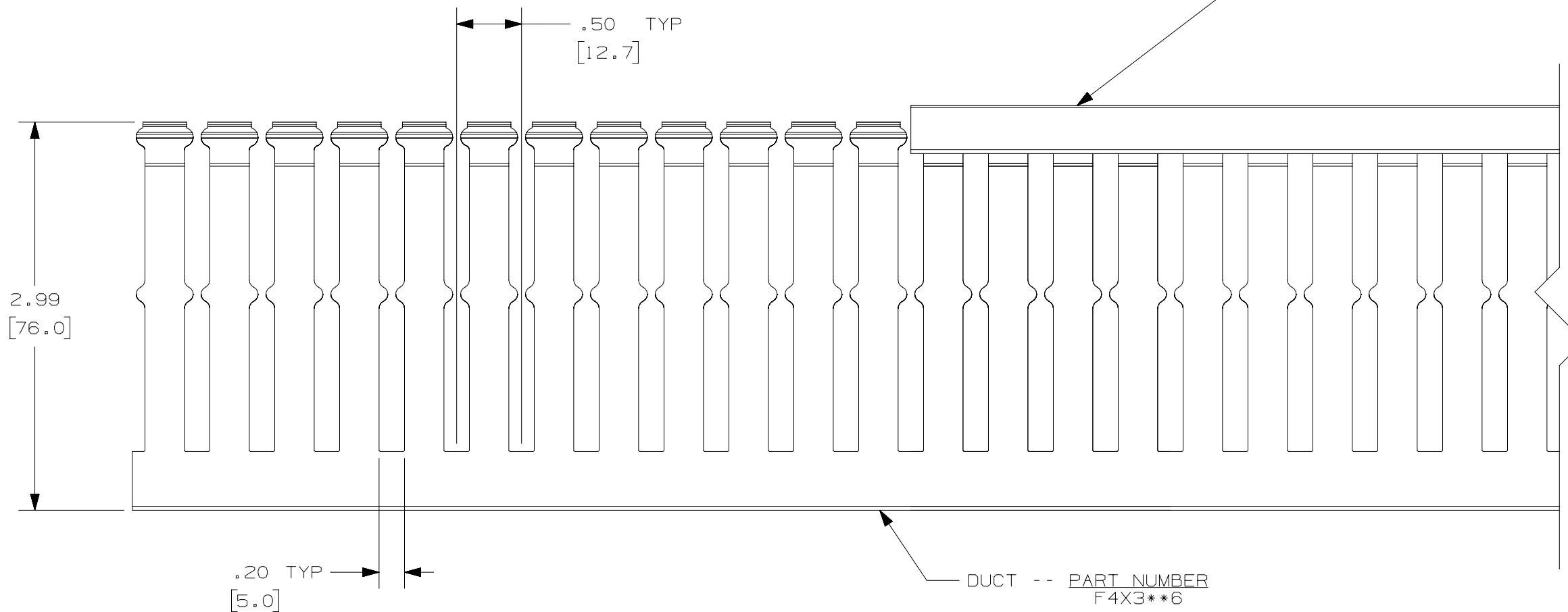
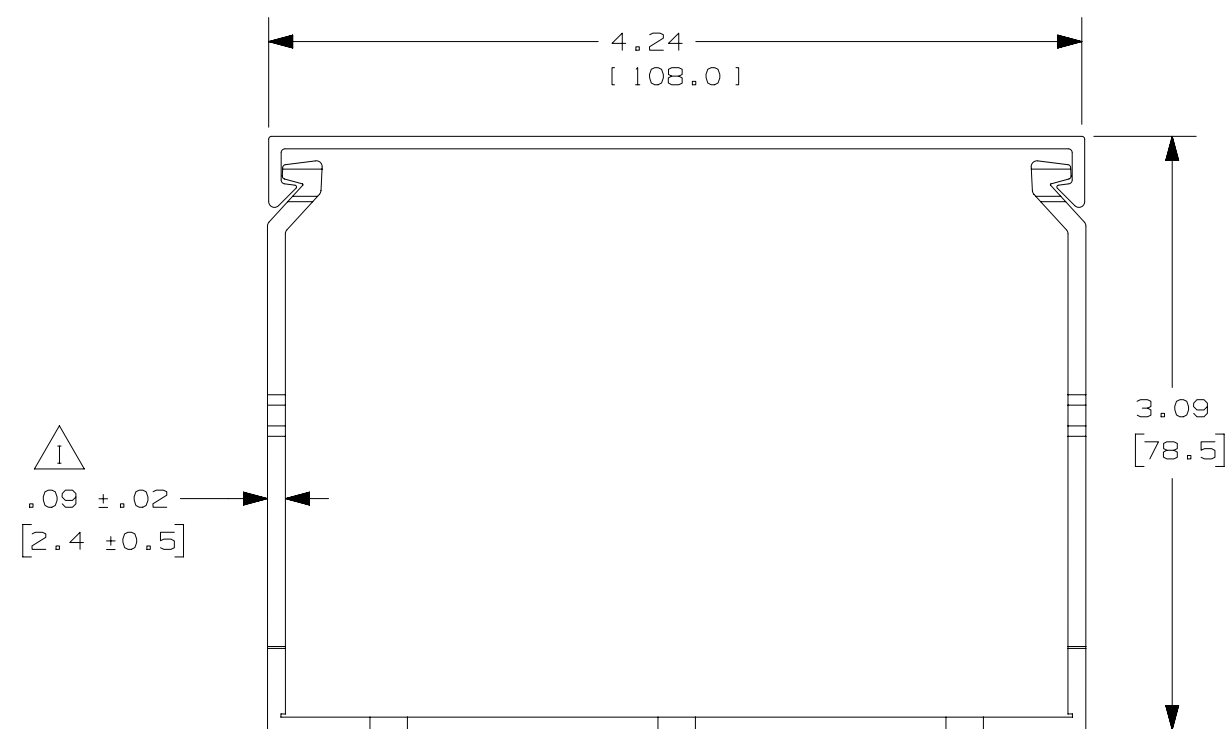


COVER -- PART NUMBER
C4**6



DUCT -- PART NUMBER
F4X3**6

NOTES:

1. ALL DIMENSIONS ARE REFERENCE ONLY.
2. DIMENSIONS IN PARENTHESIS ARE METRIC.
3. THE ** DENOTE COLOR.
4. DUCT AND COVER ARE AVAILABLE IN 6 FT [1828.8] LENGTHS.

REV	DATE	BY	CHK	APR	DESCRIPTION	ECN
4	03.04.16	BDK	MRJS	RGRO	I. ADDED TOLERANCE	36897-782
3	02-27-13	JBN	RTFI	RTFI	H. UPDATED DRAWING BORDER & TITLE BLOCK	36897-782

TITLE		WIRING DUCT - TYPE F DUCT WITH COVER 4 X 3	
ITEM REVISION NAME		D11000CT/00	
DATASET FILE NAME		D11000CT_DC/00D	
UNLESS OTHERWISE SPECIFIED, DIMENSIONAL TOLERANCES ARE: 1N (mm)		MATERIAL: PVC	
DRAWING NUMBER: 36897-782		DRAWING NUMBER: 36897-782	
DRAWN BY	DATE	CHK	SCALE
JHNU	06-18-03	JGG	FULL
THIRD ANGLE PROJECTION		SHT 1 OF 1	
SIZE		C	