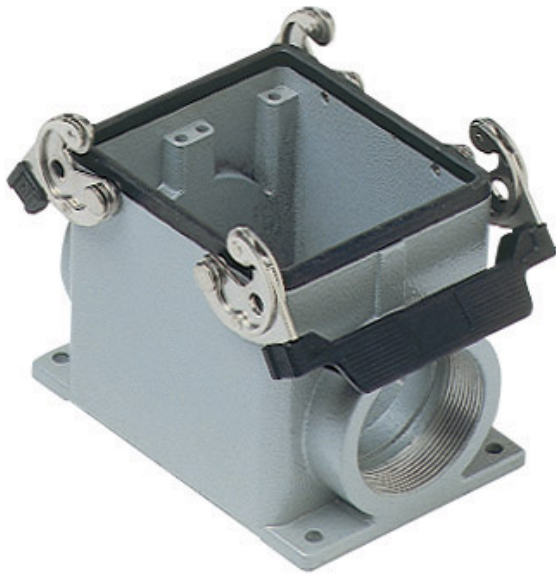


Part number

MHP 32.250



Surface mounting housing, C-TYPE series, with 2 levers, M50 x 2 cable entry, size "77.62"

Product description

Product type	Surface mounting housing
Series	C-TYPE
Closing type	With 2 levers
Size	Size 77.62
Cable entry	With cable entry M50 x 2

Technical data

IP degree of protection IP65 / IP66 / IP69

Further technical details

Weight	704,00 g
Operating temperature range (min, max)	-40°C...+125°C

Material properties

Other materials	Lever: Stainless steel, polyamide (PA) Gasket: NBR
Colour	RAL 7040 grey
RoHs conformity	Compliant
China RoHs - EFUP	E
REACH SVHC substances	No

Approvals / Standards

Certifications	DNV, BV
UL	ECBT2
cUL	ECBT8

General ordering information

EAN13 code	8015747055079
eCl@ss 8.1	27440202
ETIM 7.0	EC000437

Packaging Information

Packaging length	475,00 mm
Packaging height	200,00 mm
Packaging width	150,00 mm
Packaging weight	3,01 kg
Packaging volume	14,25 dm ³
Packaging description	Carton box
Packaging quantity	4 Pcs
Packaging EAN code	8015747211208
Sub-packaging length	116,00 mm
Sub-packaging height	113,00 mm
Sub-packaging width	142,00 mm
Sub-packaging weight	0,75 kg
Sub-packaging volume	1,86 dm ³
Sub-packaging description	Carton box
Sub-packaging quantity	1 Pcs
Sub-packaging EAN barcode	8015747211215

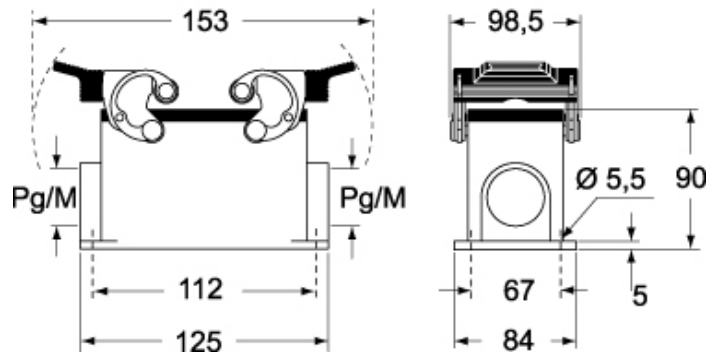
Part number

MHP 32.250



Catalogue drawings

CHP - MHP



Notes

Dimensions shown in mm are not binding and may be changed without notice.