

PHILIPS

RF-DALI connector



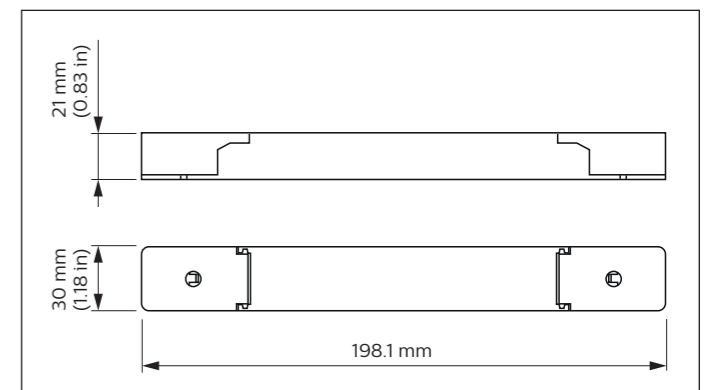
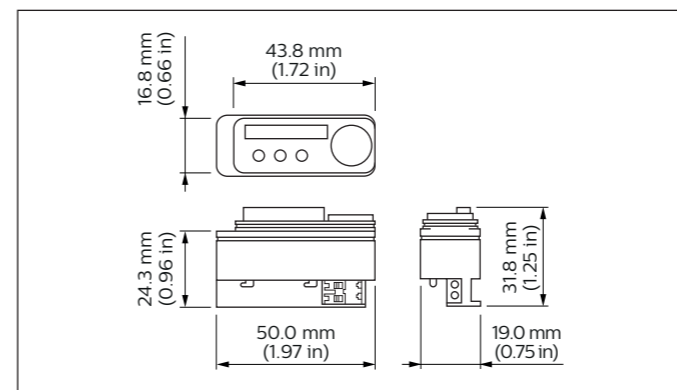
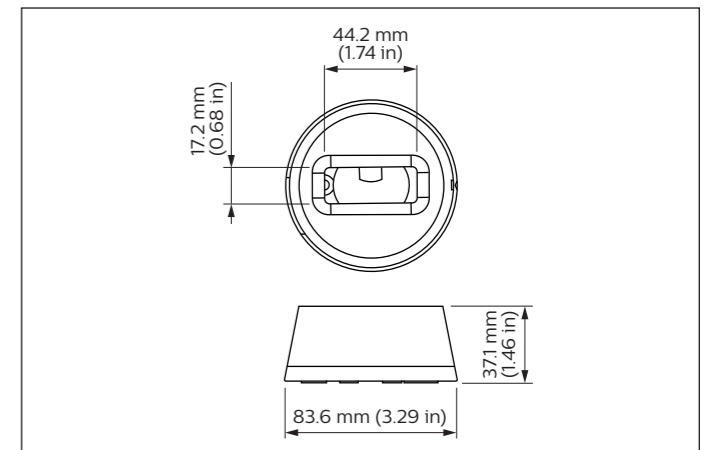
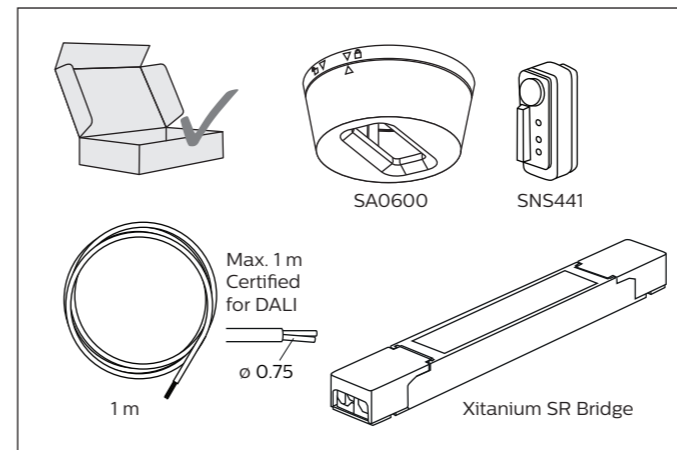
Installation Instructions

Instructions d'installation
Instrucciones de instalación

Istruzioni per l'installazione
Installatie-instructies

Installationsanweisungen
インストール手順

安装指示书
إرشادات التركيب



© 2020 Signify Holding. All rights reserved. Specifications are subject to change without notice. No representation or warranty as to the accuracy or completeness of the information included herein is given and any liability for any action in reliance thereon is disclaimed. Philips and the Philips Shield Emblem are registered trademarks of Koninklijke Philips N.V. All other trademarks are owned by Signify Holding or their respective owners.
8222 127 29233 27 March 2020

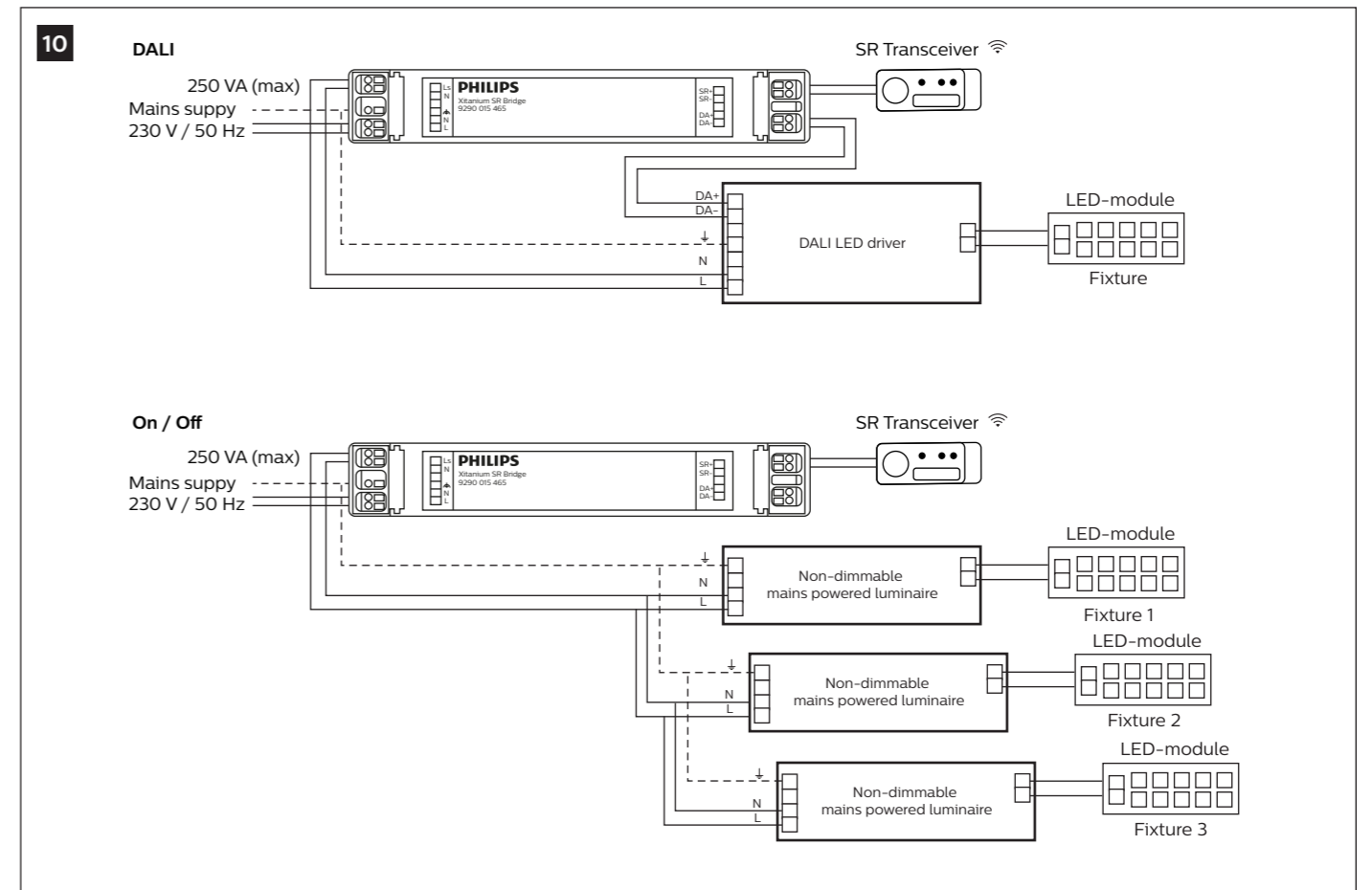
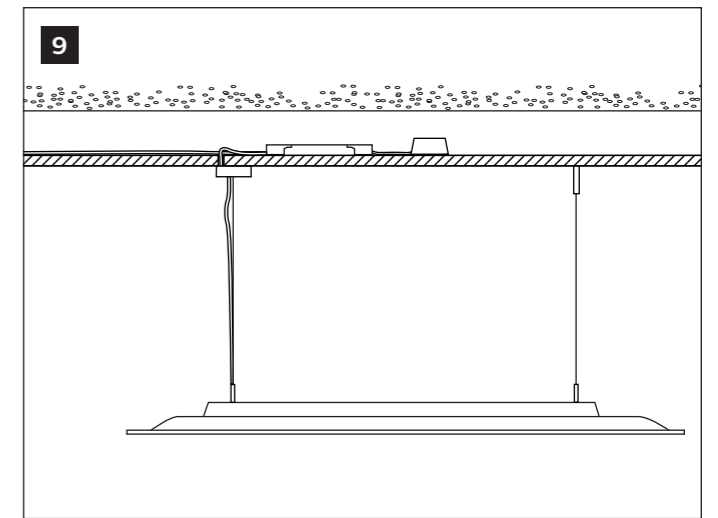
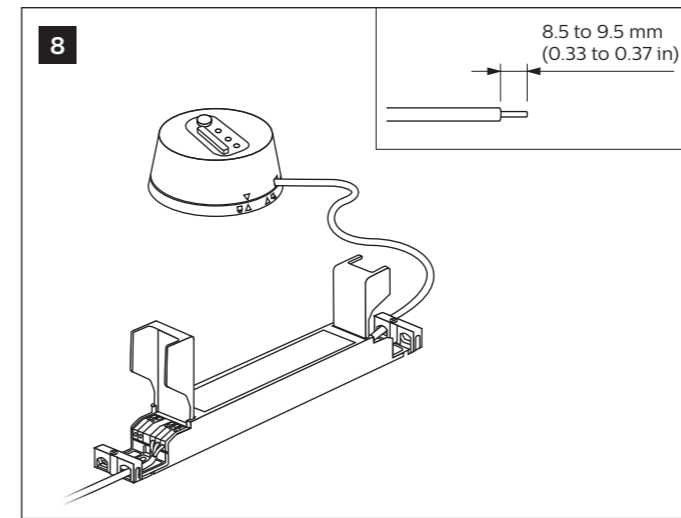
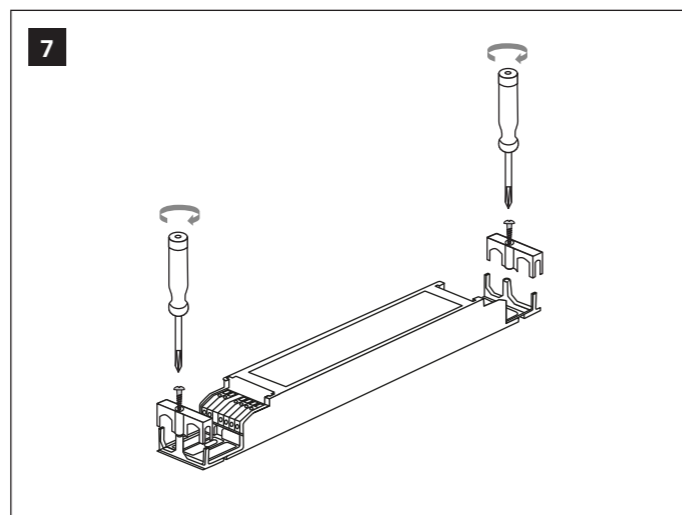
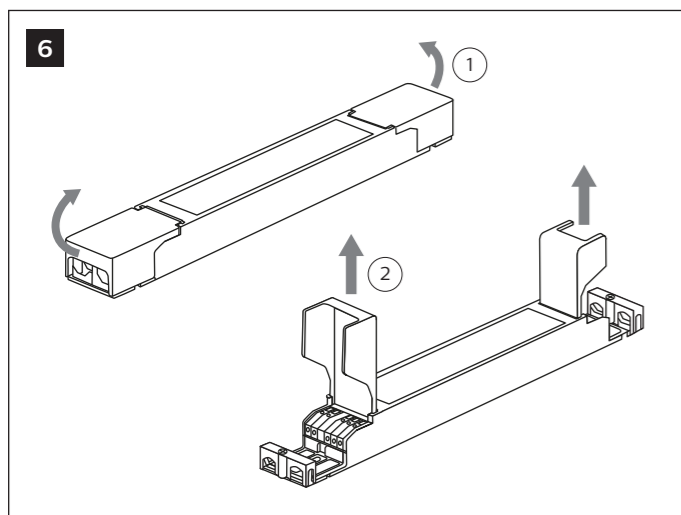
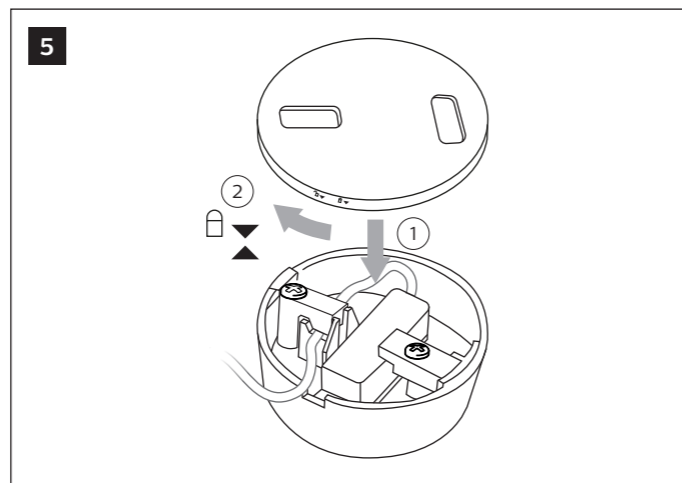
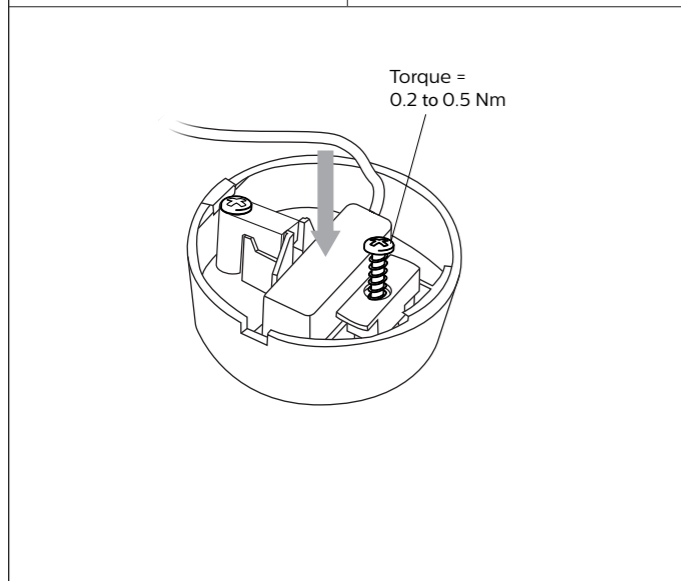
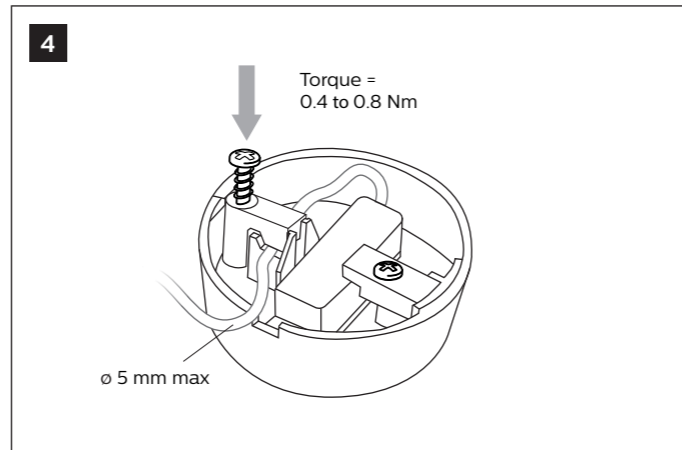
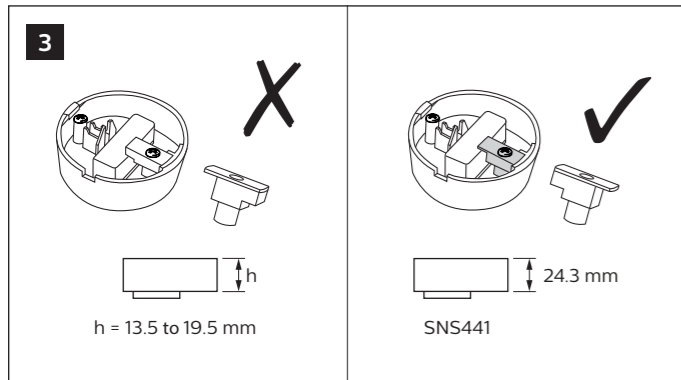
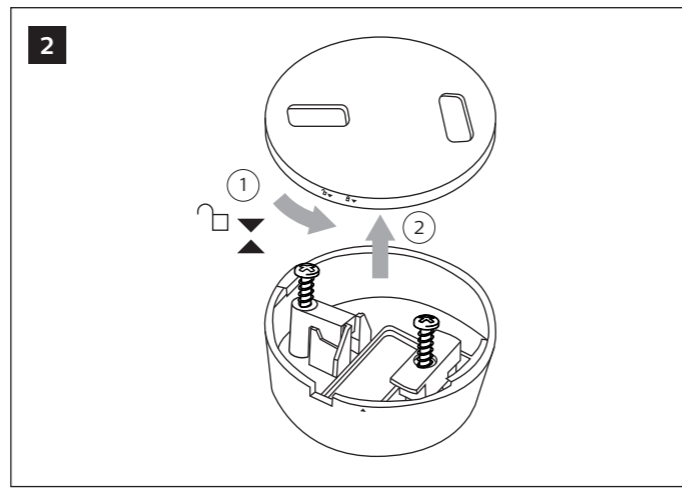
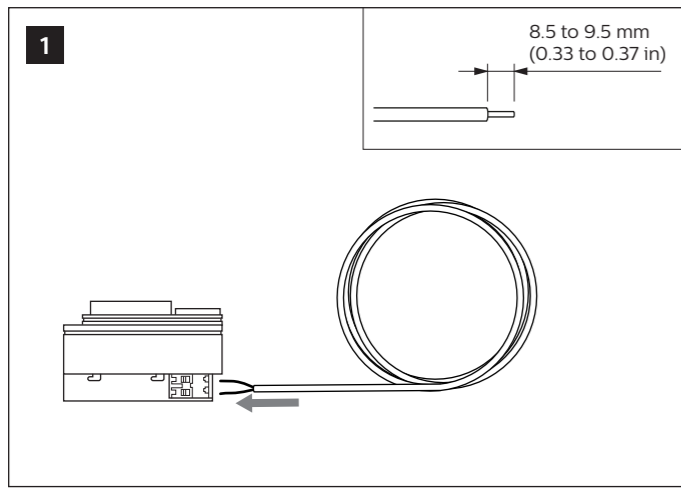


www.philips.com/lighting



8222 127 29233 27 March 2020

www.philips.com/lighting



Warning
Do not connect the RF-DALI connector to a DC power grid
(for example a central emergency system).