

1SET112009R0000 ✓ ACTIVE

ENTRELEC

TE Internal #: 1SET112009R0000

Crimp Wire Pins, Tabs & Ferrules, Ferrule, Pin Diameter 3.7 mm, 12

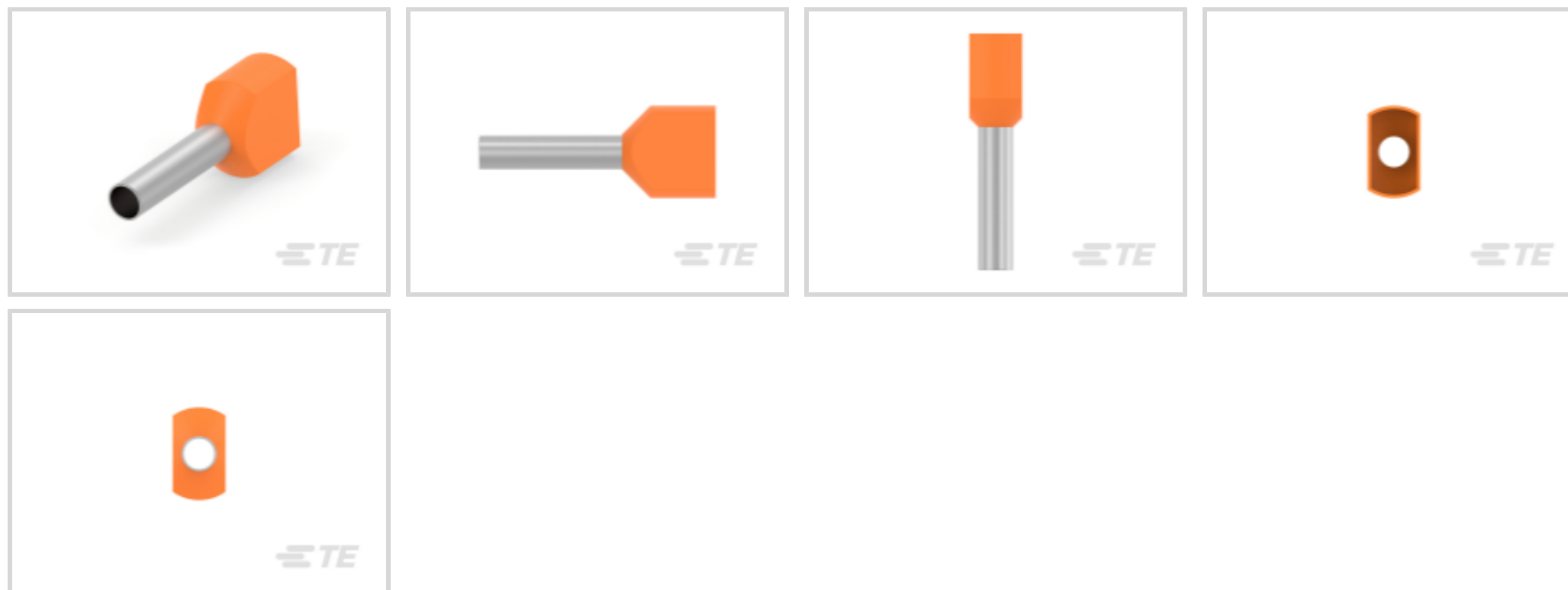
AWG Wire Size, 4 mm<sup>2</sup> Wire Size, .146 in [3.7 mm] Barrel Inside

Diameter, Closed

[View on TE.com >](#)



Terminals & Splices > Crimp Wire Pins, Tabs & Ferrules



Crimp Wire Pin, Tab & Ferrule Terminal Type: **Ferrule**

Pin Diameter: **3.7 mm**

Accepts Wire Insulation Diameter Range: **4.3 mm, 8.8 mm [ .17 in, .347 in ]**

Wire Size: **4 mm<sup>2</sup>**

## Features

### Product Type Features

|  |                    |
|--|--------------------|
| Sealable                               | No                 |
| Compatible With Discrete Wire Type     | Stranded           |
| Wire Insulation Support Retention Type | Insulation Support |

### Configuration Features

|                                   |               |
|-----------------------------------|---------------|
| Compatible With Wire & Cable Type | Discrete Wire |
|-----------------------------------|---------------|

### Body Features

|                     |     |
|---------------------|-----|
| Double Wire         | Yes |
| Insulation Material | PP  |

### Contact Features

|   |                |
|---|----------------|
| Terminal Length                             | 12 mm[.468 in] |
| Crimp Wire Pin, Tab & Ferrule Terminal Type | Ferrule        |
| Barrel Type                                 | Closed         |
| Terminal Plating Material                   | Tin            |
| Terminal Orientation                        | Straight       |



### Mechanical Attachment

|                         |         |
|-------------------------|---------|
| Wire Insulation Support | Without |
|-------------------------|---------|

### Dimensions

|  |                                 |
|--|---------------------------------|
| 2-Wire Size                            | 4 mm <sup>2</sup>               |
| Strip Length                           | 17 mm[.669 in]                  |
| Pin Diameter                           | 3.7 mm                          |
| Accepts Wire Insulation Diameter Range | 4.3 mm, 8.8 mm[.17 in][.347 in] |
| Wire Size                              | 4 mm <sup>2</sup>               |
| Barrel Inside Diameter                 | 3.7 mm[.146 in]                 |
| Terminal Material Thickness            | .2 mm[.007 in]                  |
| Overall Product Length                 | 23 mm[.906 in]                  |

### Usage Conditions

|                             |                     |
|-----------------------------|---------------------|
| Insulation Option           | Partially Insulated |
| Operating Temperature Range | 105 °C[221 °F]      |

### Operation/Application

|            |    |
|------------|----|
| Heavy Duty | No |
|------------|----|

### Packaging Features

|                    |     |
|--------------------|-----|
| Packaging Quantity | 100 |
| Packaging Method   | Bag |

### Other

|              |        |
|--------------|--------|
| Barrel Color | Orange |
|--------------|--------|

### Product Compliance

[For compliance documentation, visit the product page on TE.com>](#)

|   |  |
|---|--|
| EU RoHS Directive 2011/65/EU                  | Compliant  |
| EU ELV Directive 2000/53/EC                   | Compliant  |
| China RoHS 2 Directive MIIT Order No 32, 2016 | No Restricted Materials Above Threshold  |
| EU REACH Regulation (EC) No. 1907/2006        | Current ECHA Candidate List: JUNE 2022 (224)<br>Candidate List Declared Against: JAN 2021 (211)<br>Does not contain REACH SVHC |
| Halogen Content                               | Low Halogen - Br, Cl, F, I < 900 ppm per homogenous material. Also BFR/CFR/PVC   |

Free

Solder Process Capability

Not reviewed for solder process capability

Product Compliance Disclaimer

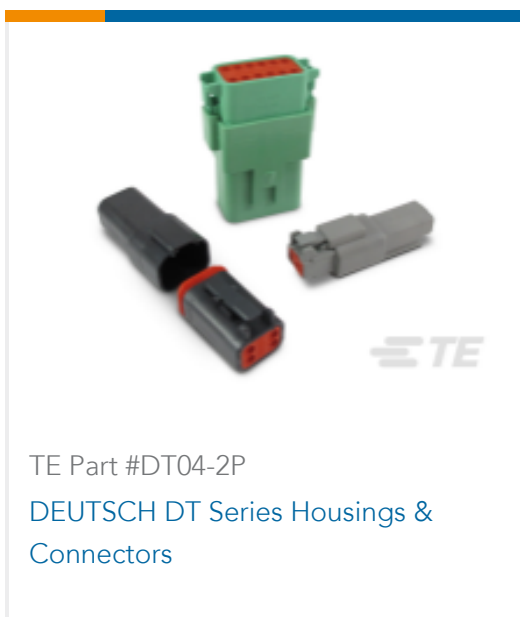
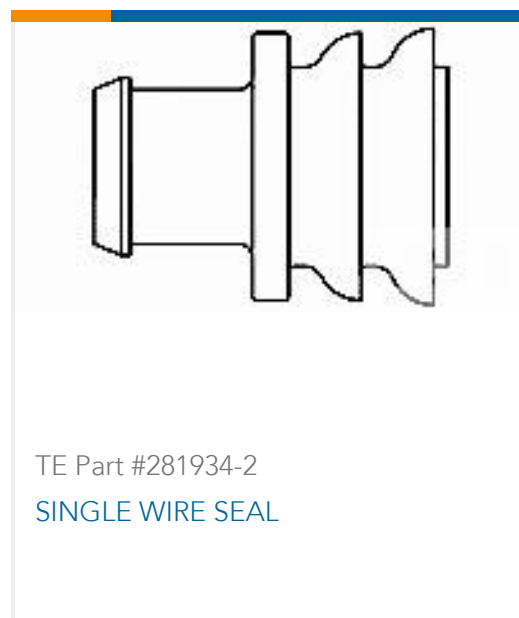
This information is provided based on reasonable inquiry of our suppliers and represents our current actual knowledge based on the information they provided. This information is subject to change. The part numbers that TE has identified as EU RoHS compliant have a maximum concentration of 0.1% by weight in homogenous materials for lead, hexavalent chromium, mercury, PBB, PBDE, DBP, BBP, DEHP, DIBP, and 0.01% for cadmium, or qualify for an exemption to these limits as defined in the Annexes of Directive 2011/65/EU (RoHS2). Finished electrical and electronic equipment products will be CE marked as required by Directive 2011/65/EU. Components may not be CE marked. Additionally, the part numbers that TE has identified as EU ELV compliant have a maximum concentration of 0.1% by weight in homogenous materials for lead, hexavalent chromium, and mercury, and 0.01% for cadmium, or qualify for an exemption to these limits as defined in the Annexes of Directive 2000/53/EC (ELV). Regarding the REACH Regulation, the information TE provides on SVHC in articles for this part number is based on the latest European Chemicals Agency (ECHA) 'Guidance on requirements for substances in articles' posted at this URL: <https://echa.europa.eu/guidance-documents/guidance-on-reach>

## Compatible Parts





## Customers Also Bought



## Documents

### Product Drawings

[WFD040-12-OR](#)

English

### Datasheets & Catalog Pages

[Infographic - entrelec ews-linecard](#)

English

[ENTRELEC - INSULATED WIRE END FERRULES](#)

[ENTRELEC - INSULATED WIRE END FERRULES](#)



English

**ENTRELEC - INSULATED WIRE END FERRULES**

French

**Essential Entrelec Terminal Blocks**

French

**Essential Entrelec Terminal Blocks**

English

---

**Agency Approvals**

**UL**

English