

0.5 Nm 3.5 Watts 3.5 Watts Part number made to order



- Mechanical strength : 0,5 Nm
- Constant speed, dependent on supply frequency
- Wide range of speeds available
- Direction of rotation controlled by long-life mechanical anti-return device
- Permanent magnet rotor

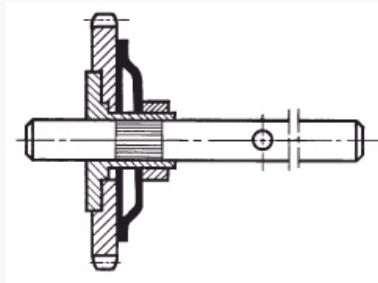
Part numbers

| | Type | Type | Output speed | Ratios (i) | Direction of rotation | Voltages/Frequencies |
|----------------------|-----------|----------|--------------|------------|-----------------------|----------------------|
| MADE TO ORDER | 3.5 Watts | 82 334 5 | 1,60 rpm | 375 | Clockwise | 230 V 50 Hz |

Specifications

| | |
|--|----------|
| Motor | 82 330 5 |
| Gearbox | 81 021 0 |
| Maximum permitted torque from gearmotor under continuous conditions for 1 millions turns of the gearmotor (Nm) | 0,5 |
| Axial load static (daN) | 1 |
| Radial load static (daN) | 8 |
| Absorbed power (W) | 3,5 |
| Motor output (W) | 0,42 |
| Maximum temperature rise (°C) | 55 |
| Ambient temperature (°C) | -5 →+60 |
| Weight (g) | 210 |
| Wires length mm (approximately) | 250 |
| Protection rating | IP40 |

Principles



This device is situated inside the gearbox and is particularly recommended when gearbox protection is required in the event of accidental overloading.

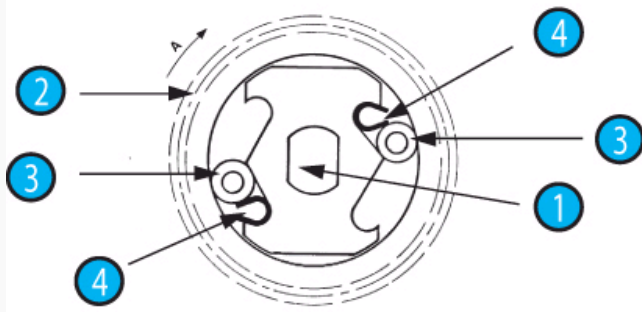
In this system, the final gear is connected to the gearbox output shaft by means of a friction assembly.

In some cases, this device can be used for time adjustment or zero reset on timers.

The standard torque setting is from :

- 1.8 to 2.5 cm/kg for gearbox 810210
- 7 to 10 cm/kg for gearbox 810330

Principles



This device, situated inside the gearbox, enables the output shaft to be rotated by an external force (manual or mechanical) independently of the final wheel of the gearbox.

Description

A specially shaped cam (1) is directly fitted on the gearbox output shaft. The final wheel (2) of the gearbox pivots freely on this shaft and has a housing into which the cam fits (1). Between the cam and final wheel two rollers are symmetrically located held in place under the pressure of two springs (4).

When the geared motor is energised, it causes the final wheel (2) to rotate which, via the two rollers (3), in turn drives the output shaft.

If, under external force, the output shaft is turned in the same direction as the final wheel but at a higher speed, the two rollers (3) release the final wheel and the shaft speed becomes independent of the speed of the final wheel.

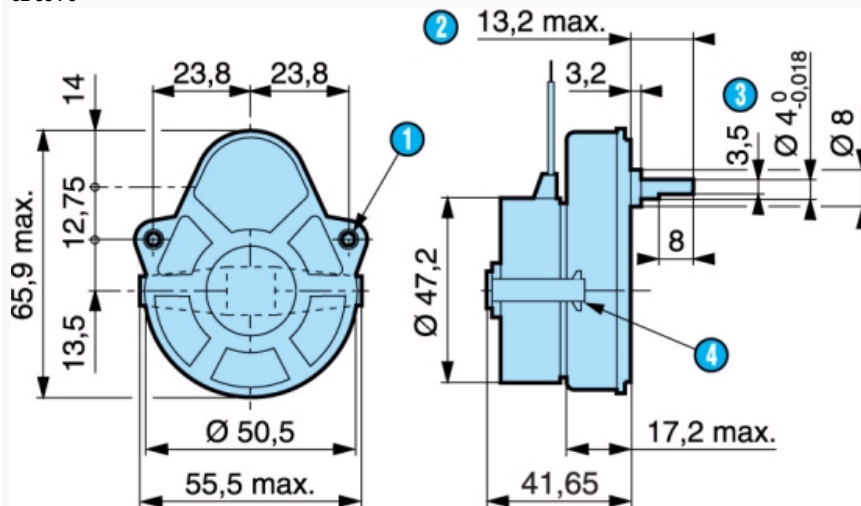
The rollers can be located according to whether the final wheel is rotating clockwise or anti-clockwise.

Can be used with gearboxes 81 021 0 and 81 033 0.

| N° | Legend |
|----|---------------|
| 1 | Cams |
| 2 | Einstellräder |
| 3 | Roller |
| 4 | |

Dimensions (mm)

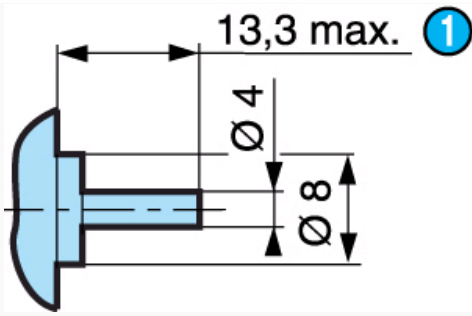
82 334 5



| N° | Legend |
|----|----------------------|
| 1 | 2 fixing holes Ø 3.2 |
| 2 | (pushed-in shaft) |
| 3 | 3.5 across flat |
| 4 | Fixing clip |

Dimensions (mm)

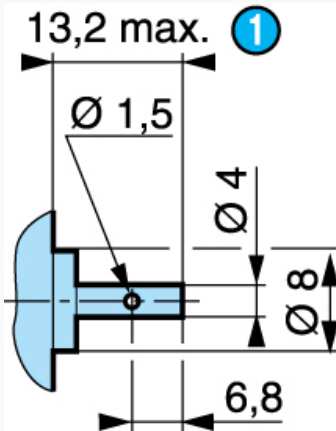
Shaft 79 200 967



| N° | Legend |
|----|--------------------|
| ① | (pushed-in shaft) |

Dimensions (mm)

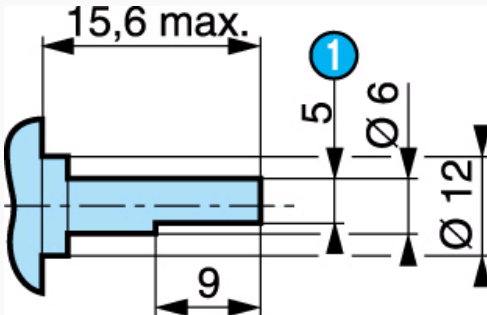
Shaft 79 200 779



| N° | Legend |
|----|--------------------|
| ① | (pushed-in shaft) |

Dimensions (mm)

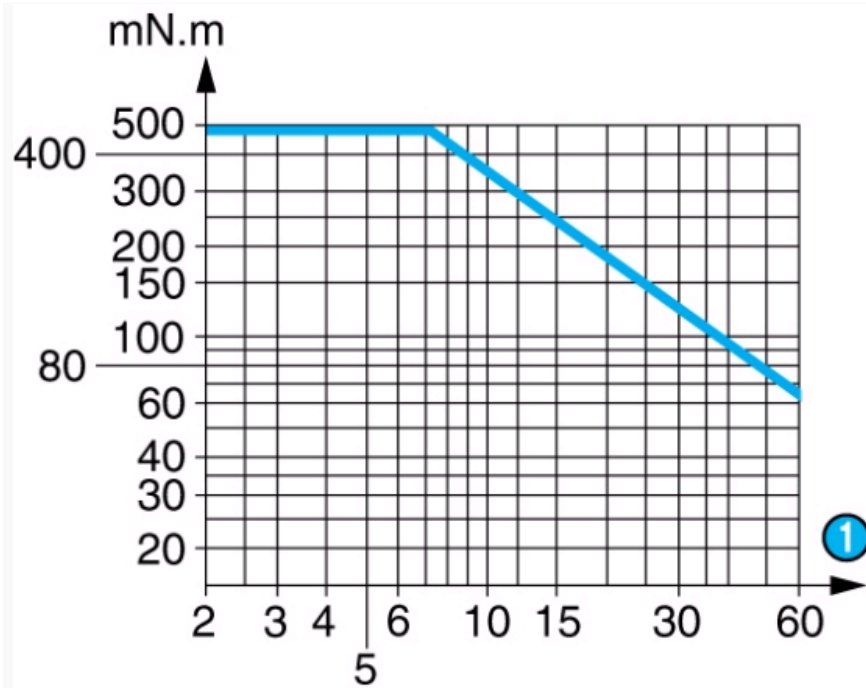
Shaft 70 999 421 SP1295-10



| N° | Legend |
|----|-------------|
| ① | Across flat |

Curves

Graph of torque versus speed



| N° | Legend |
|----|--------|
| 1 | RPM |

Product adaptations



- Different voltages available
- Special cable lengths
- Special connectors
- Special output shafts
- Special gearbox ratios
- Special gear wheel material
- Special output bearings