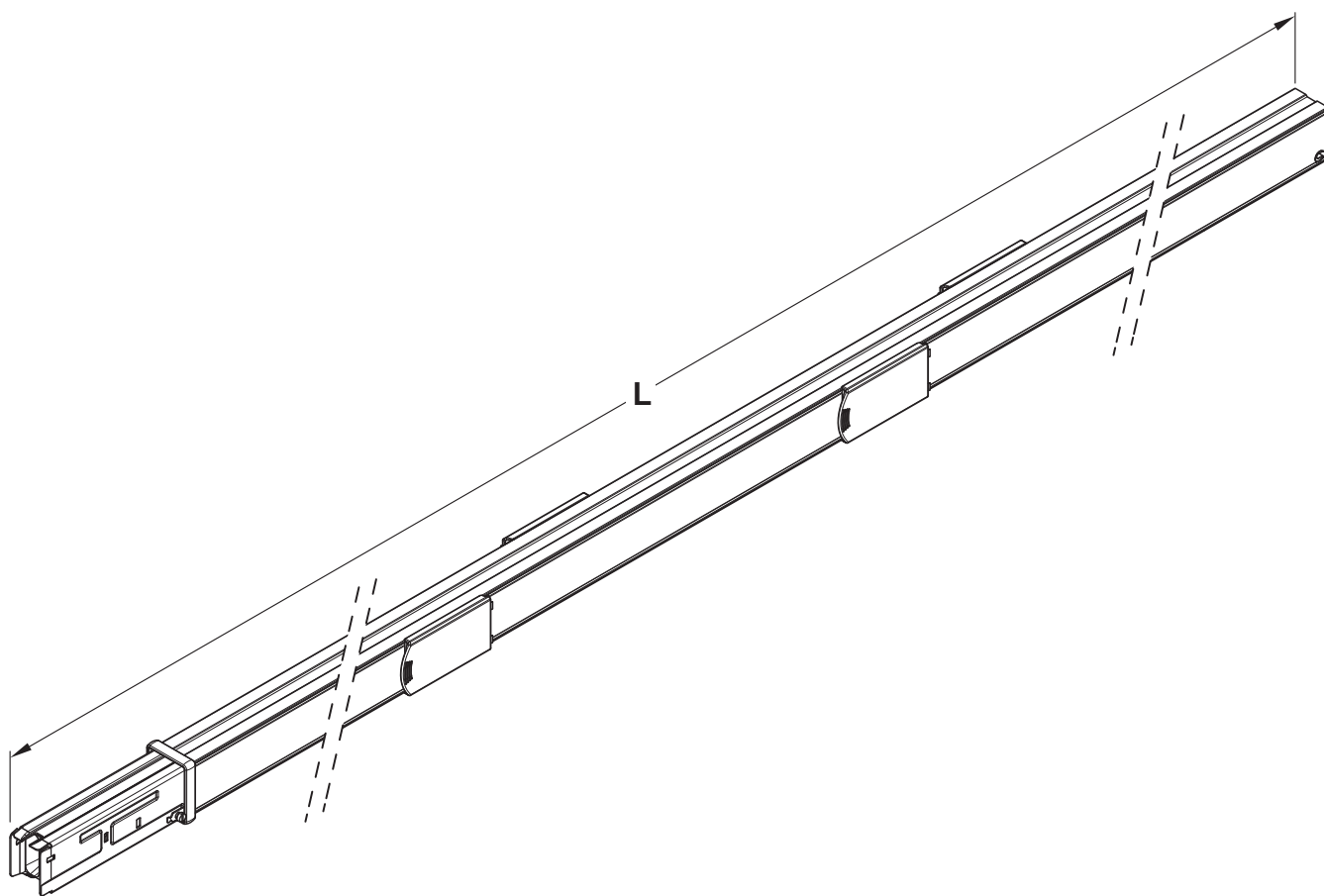
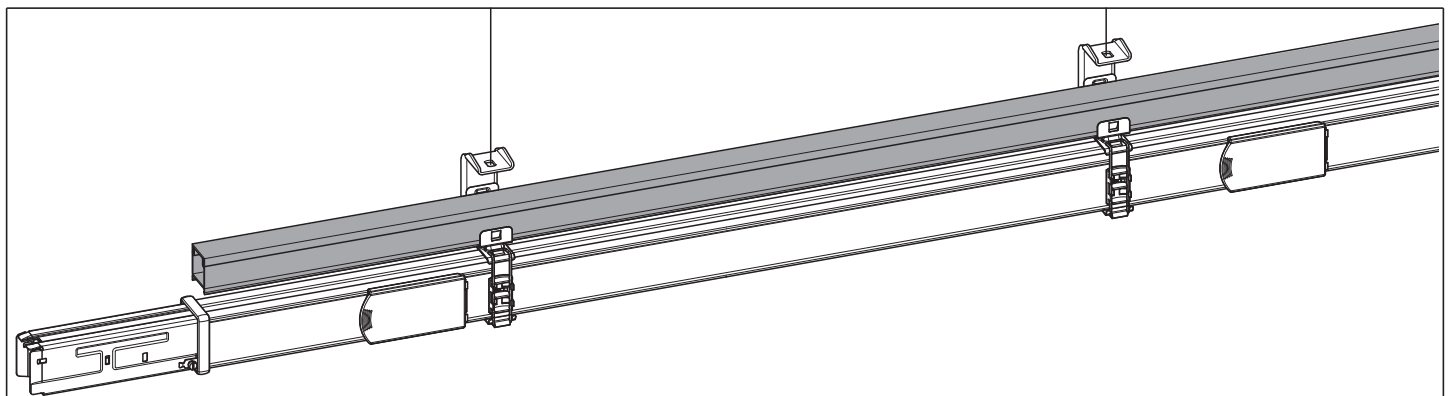
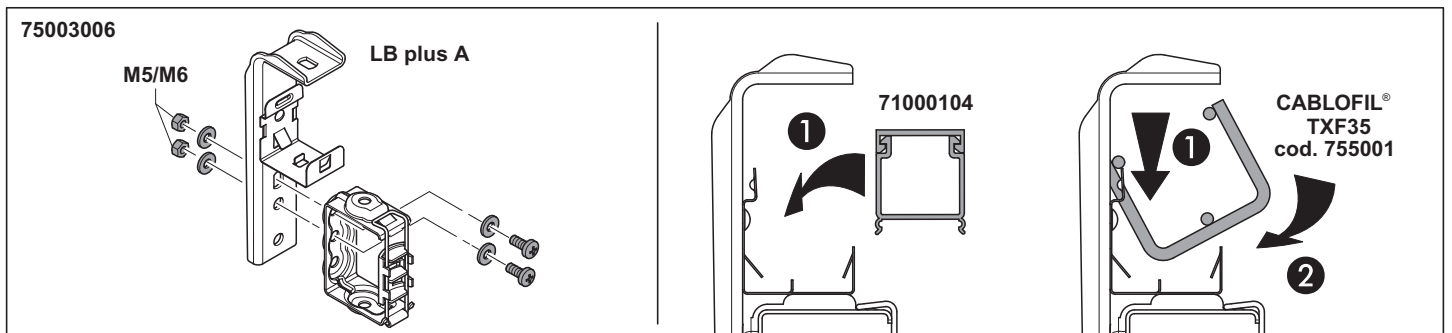
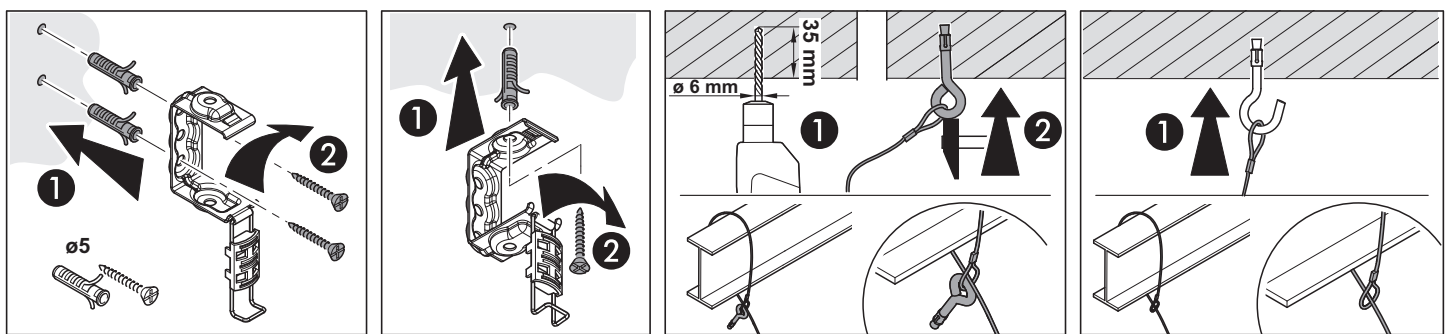
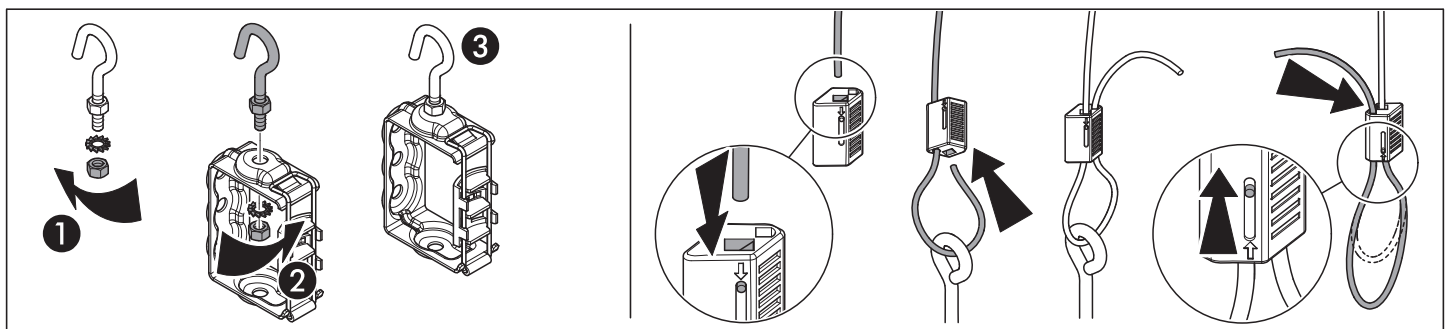
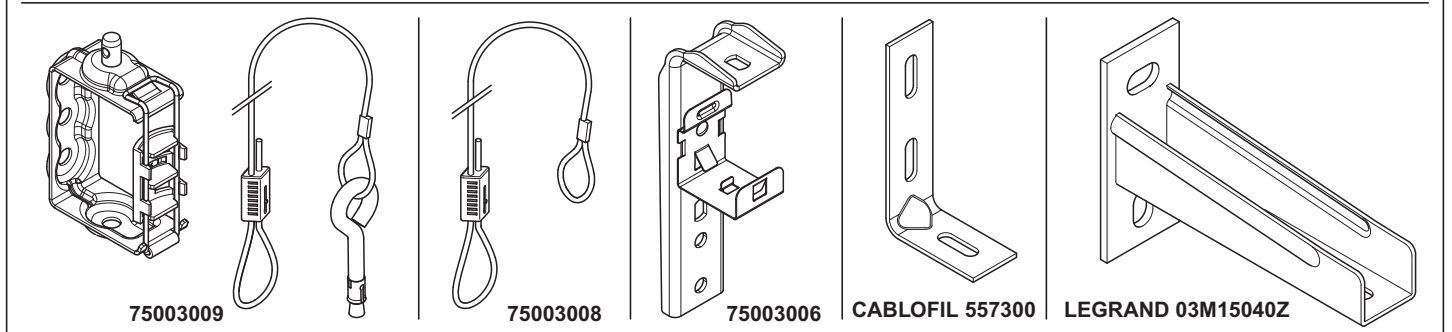
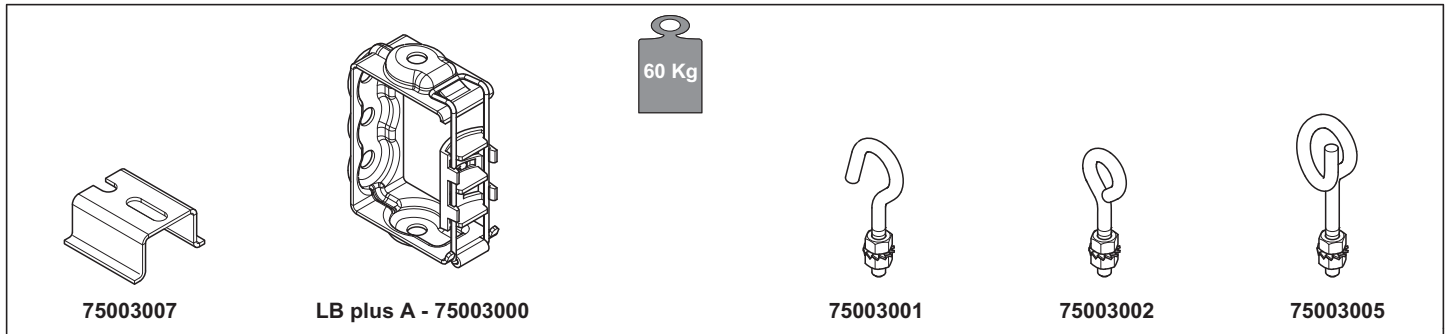


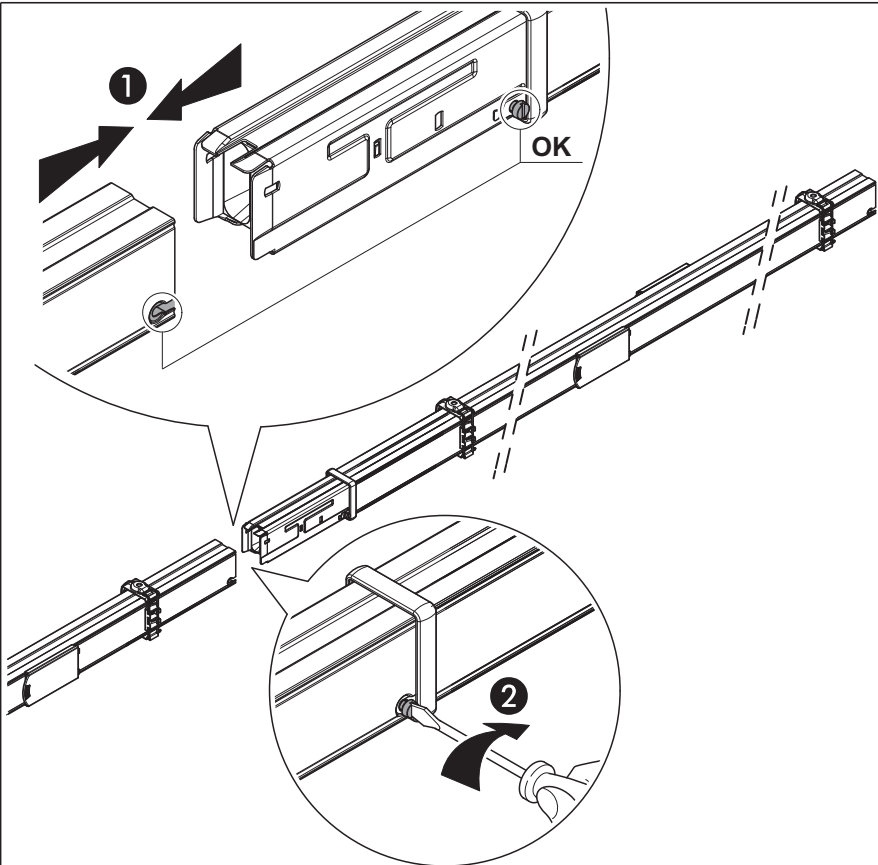
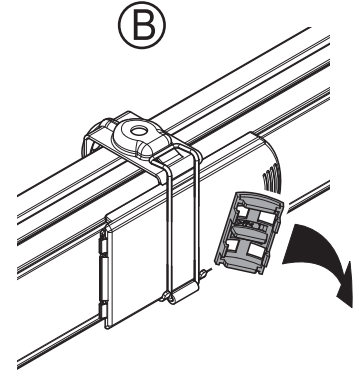
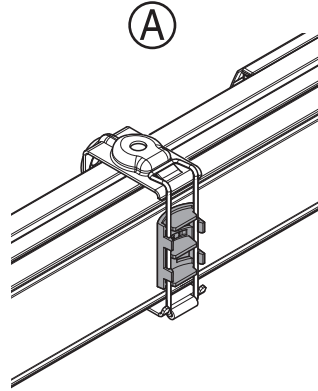
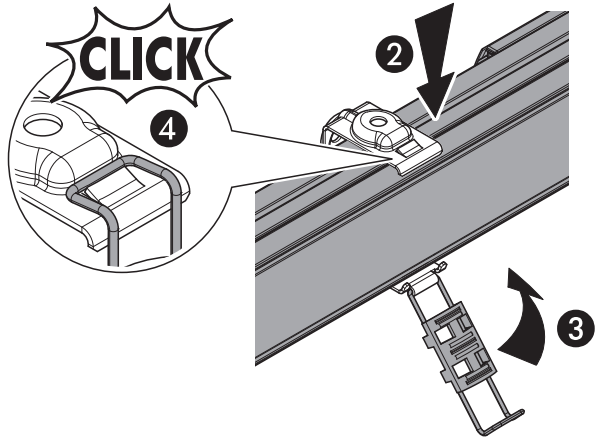
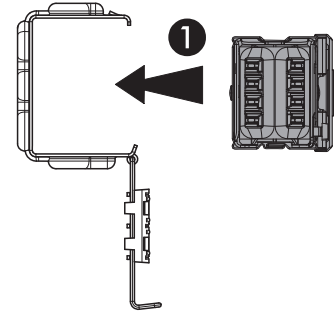
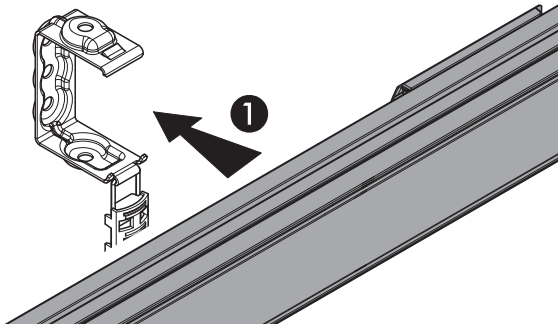
LB PLUS DATA



L = 3 m	7516010...D 7517010...D 7518010...D
	7520010...D 7522010...D 7524010...D
L = 1,5 m	7520011...D 7522011...D 7524011...D



LB plus A



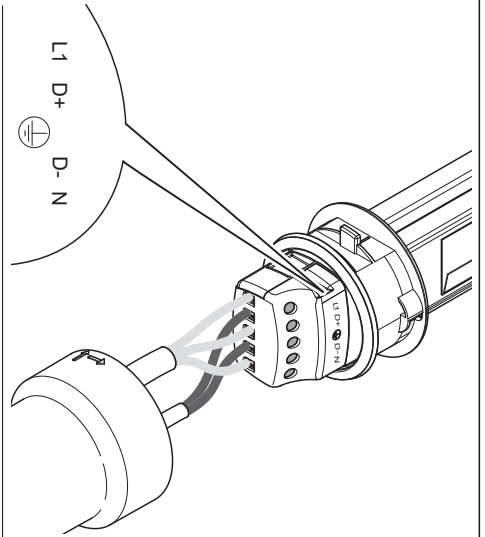
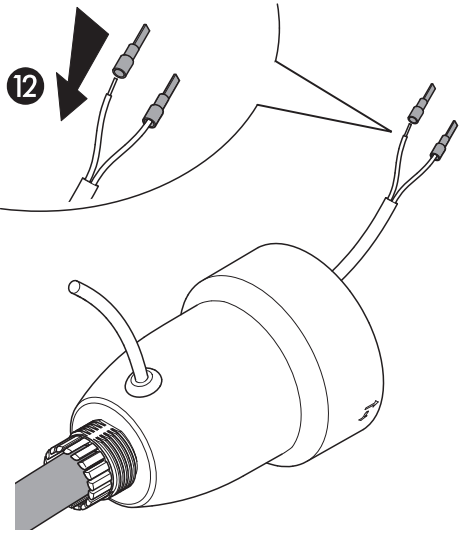
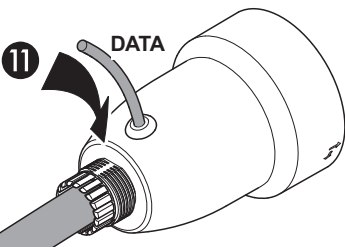
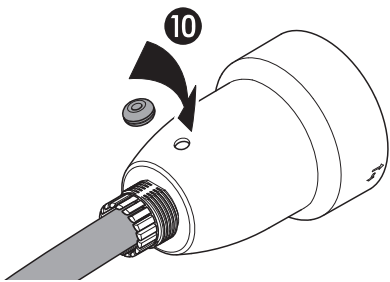
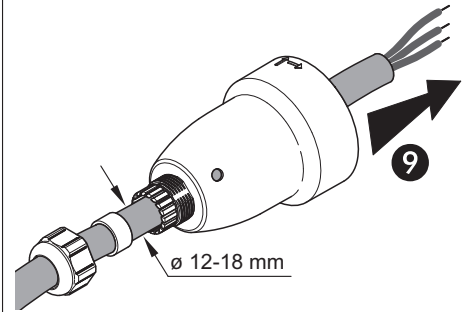
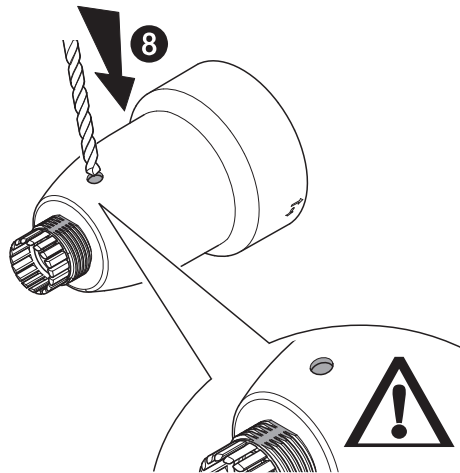
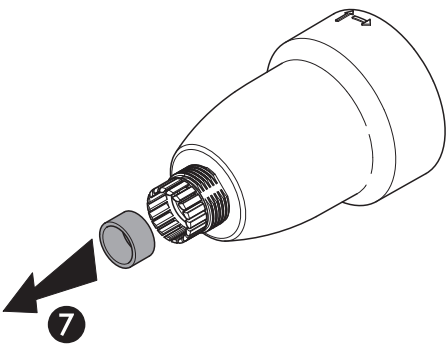
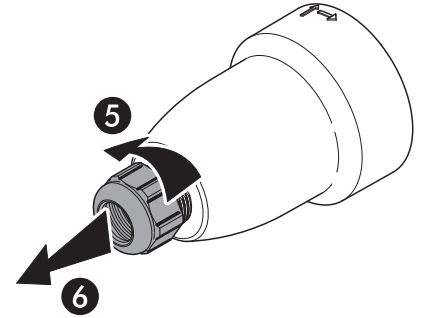
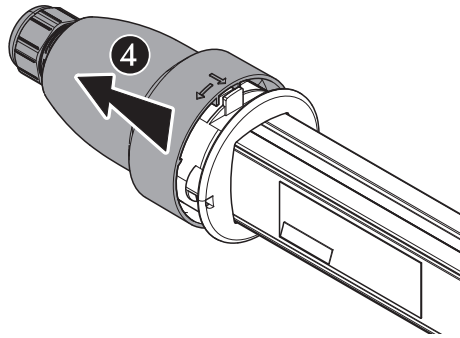
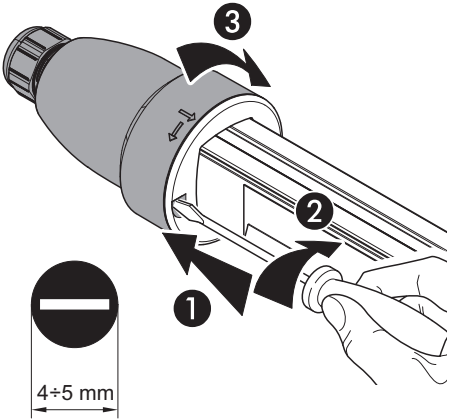
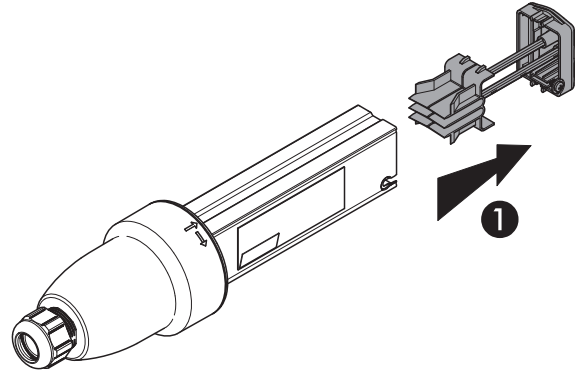
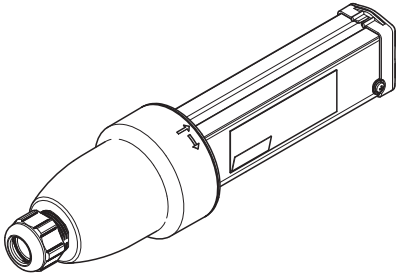
OK

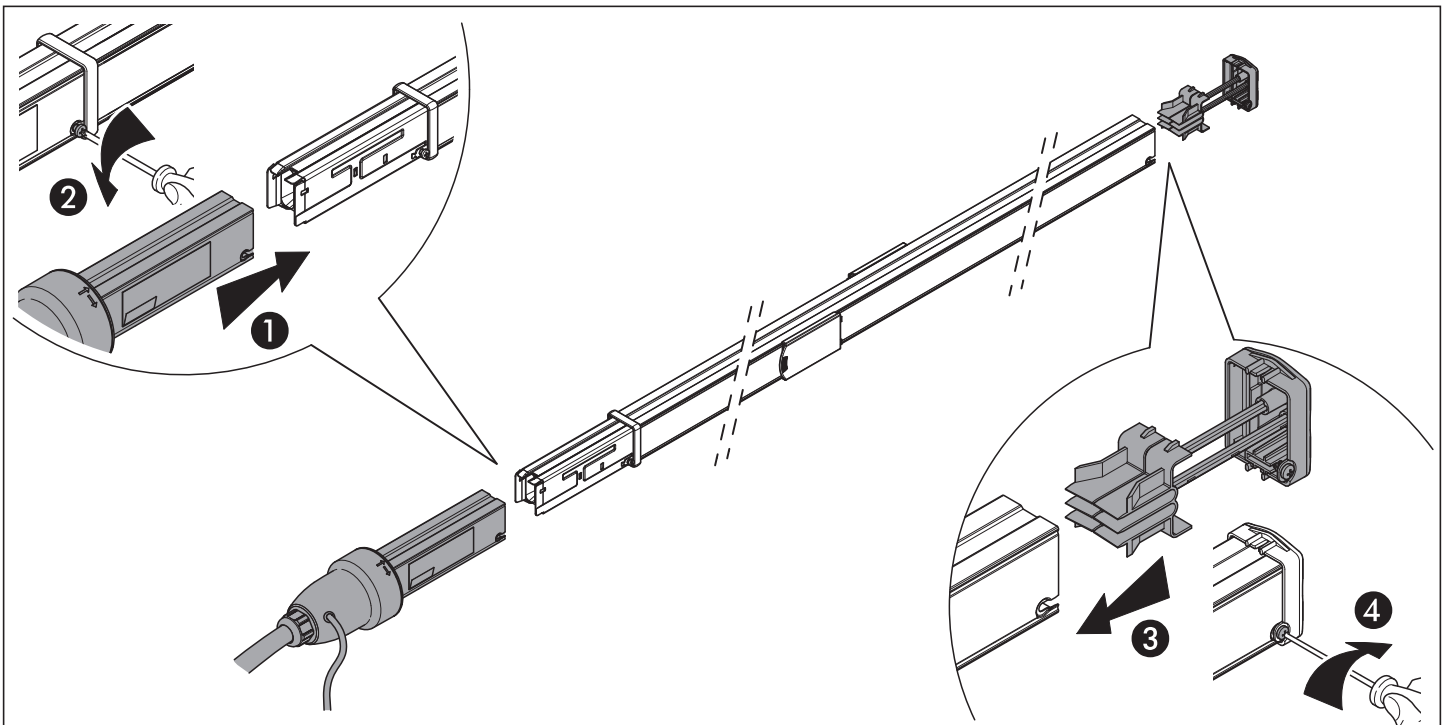
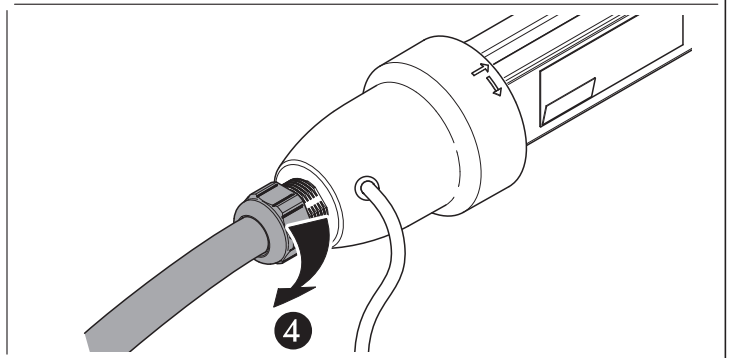
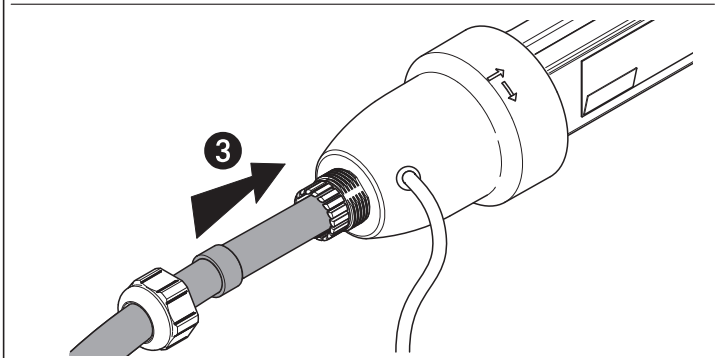
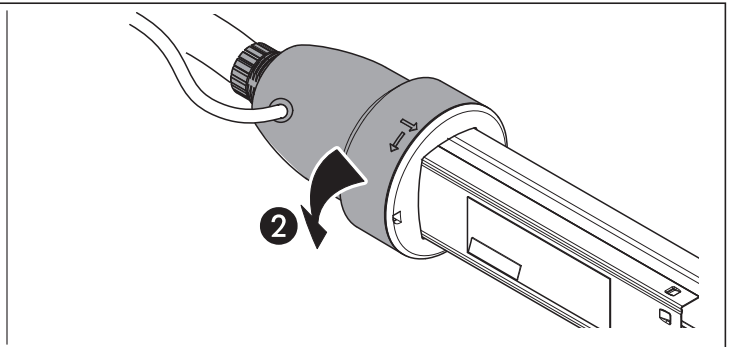
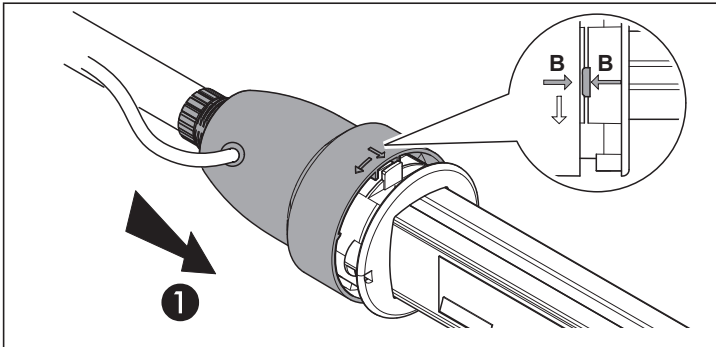
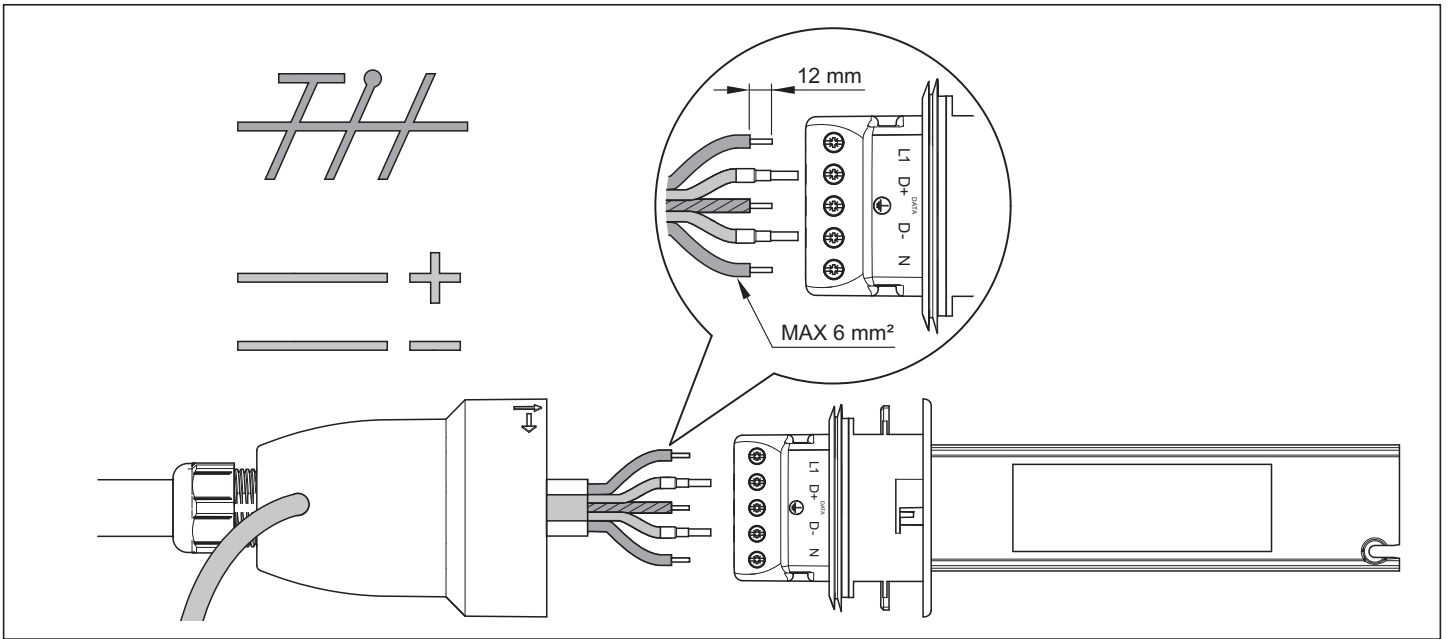


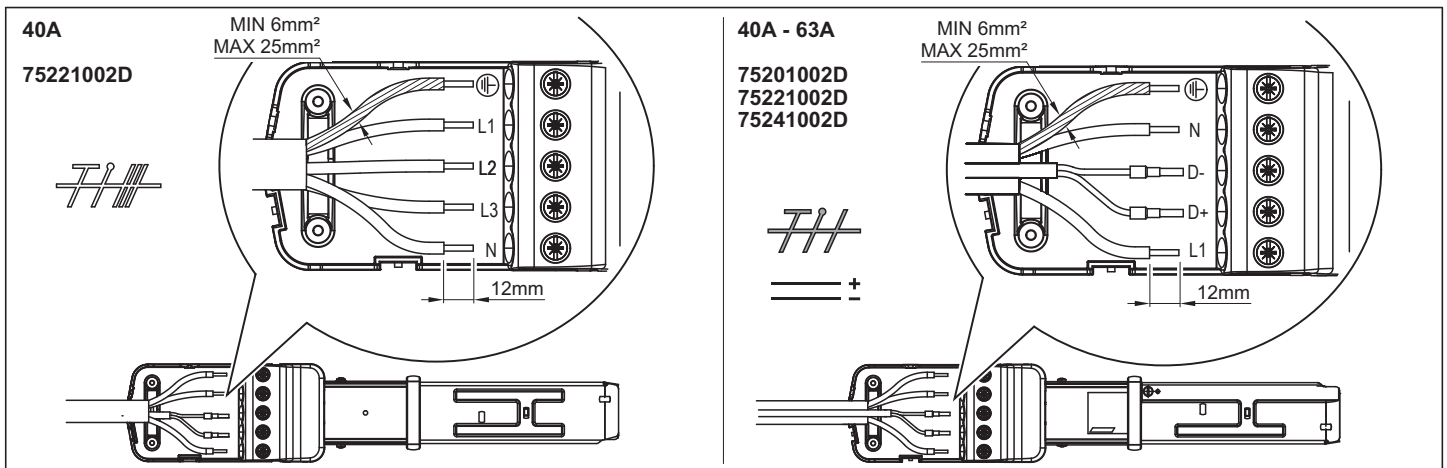
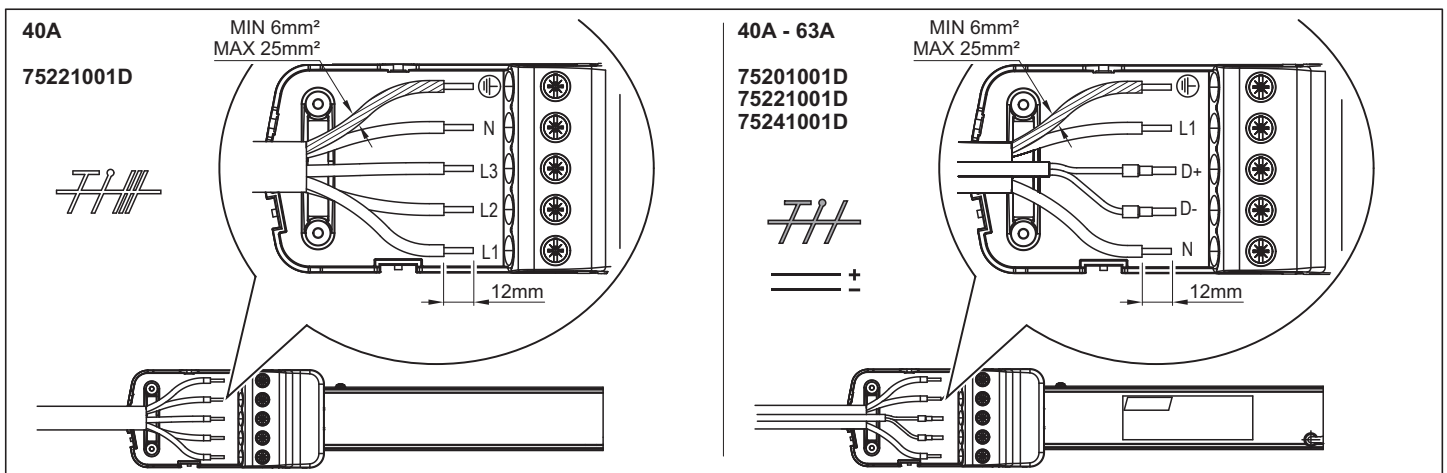
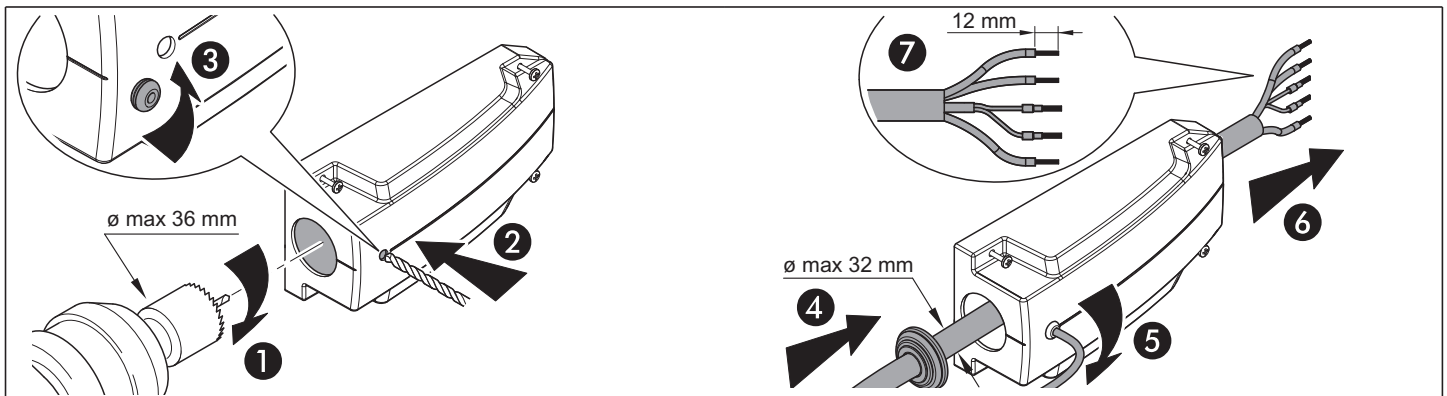
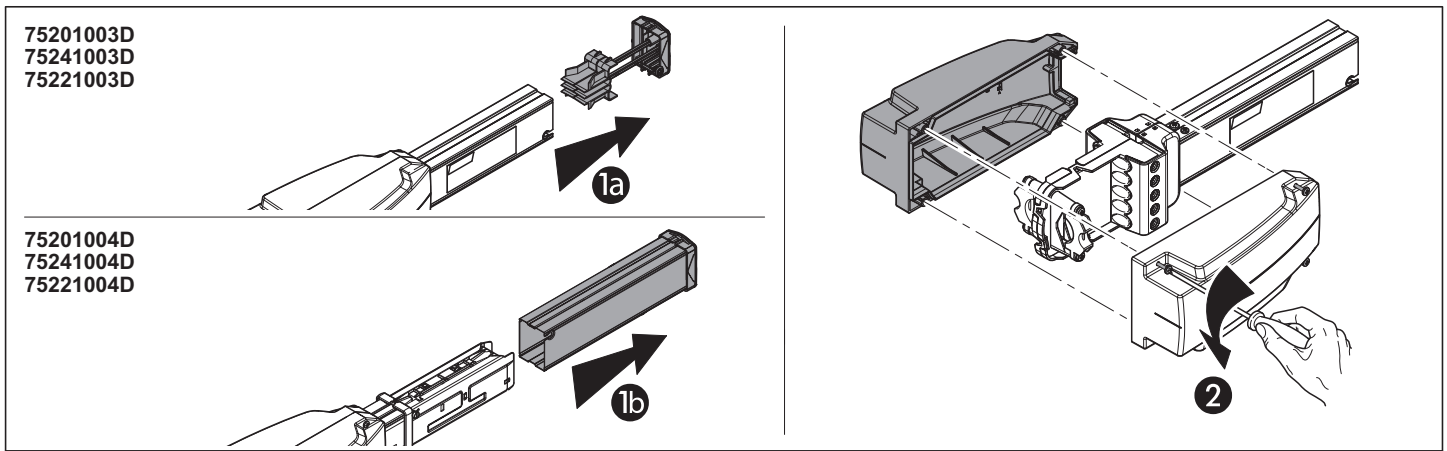
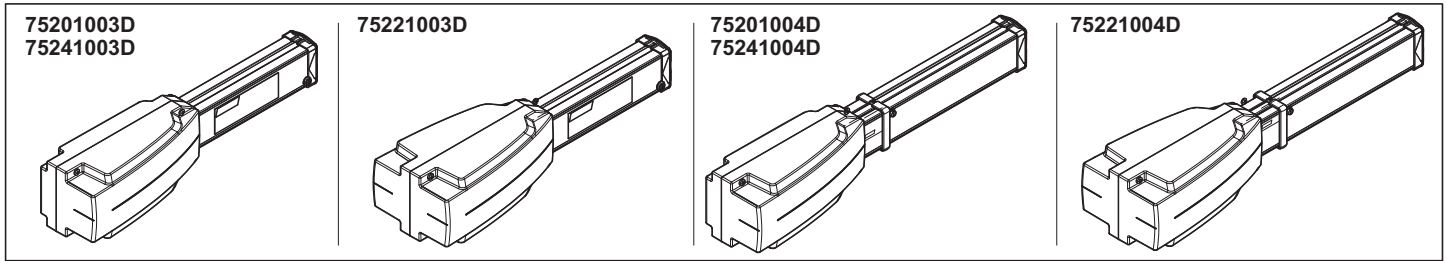
~~OK~~

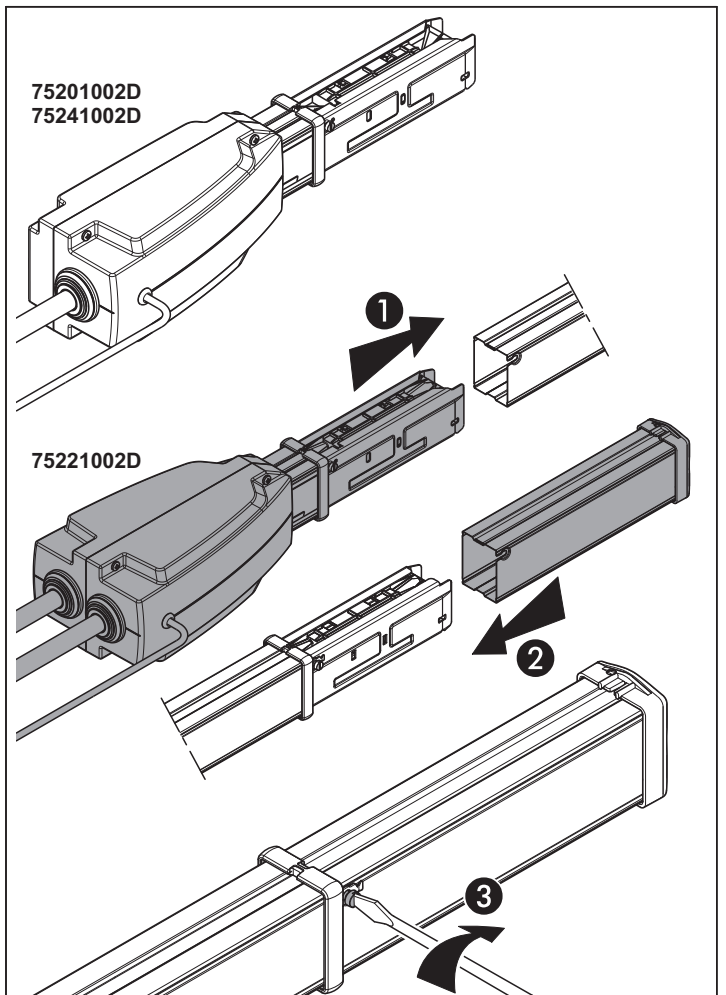
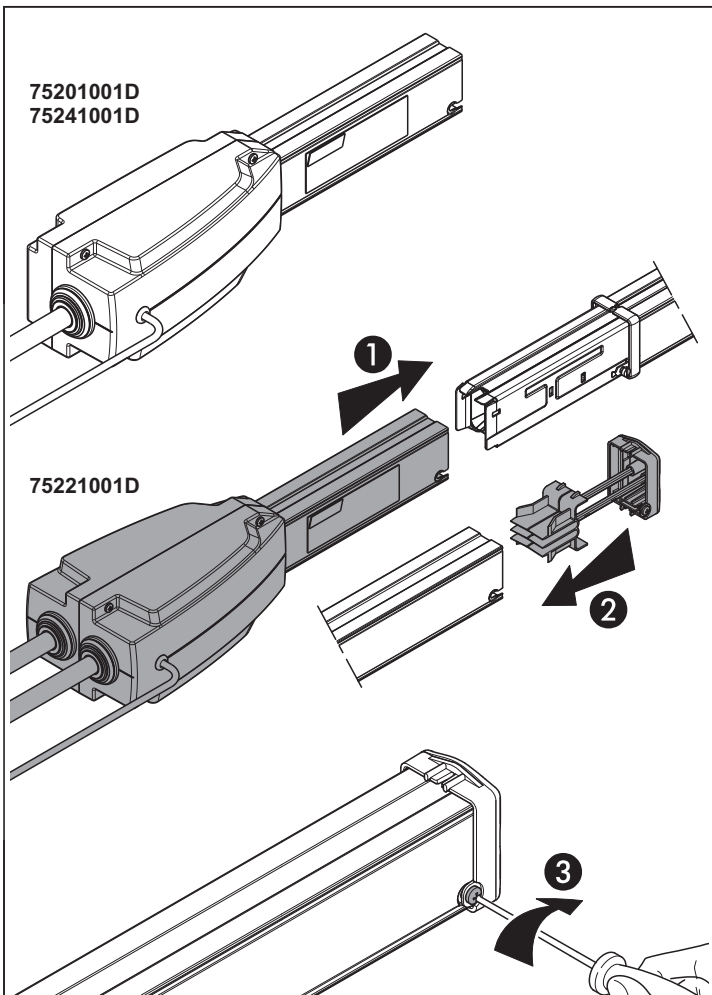
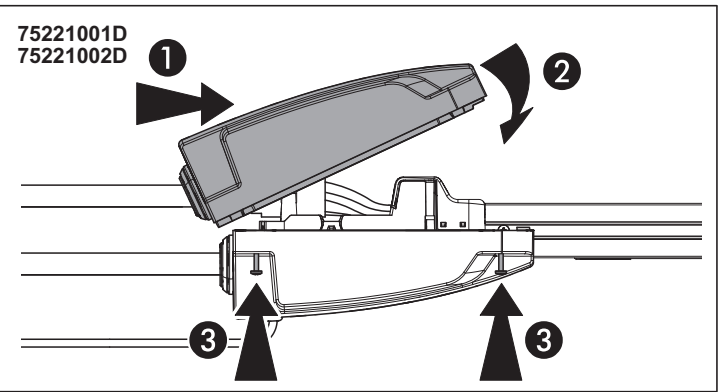
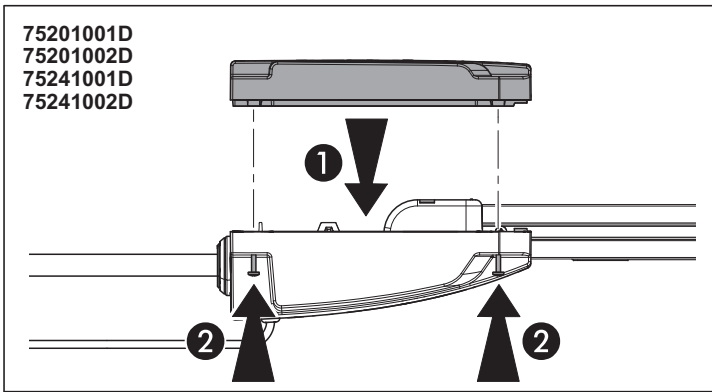
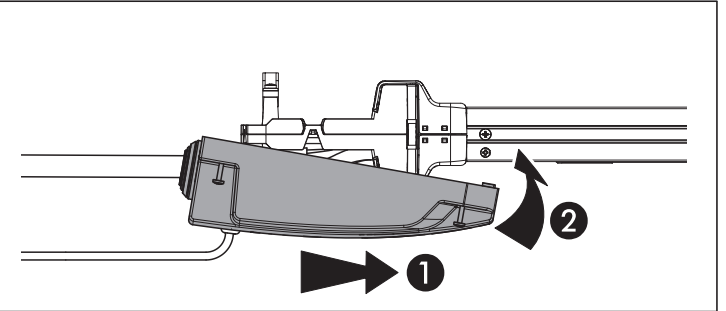
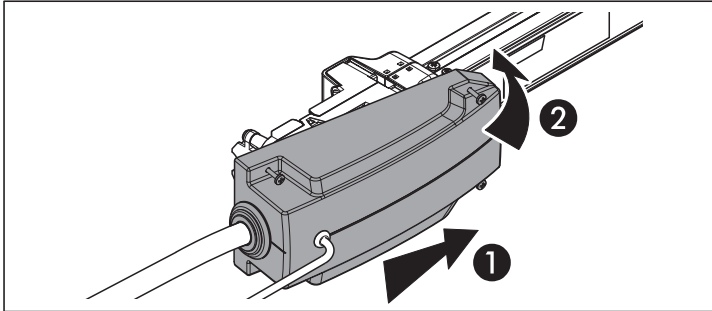
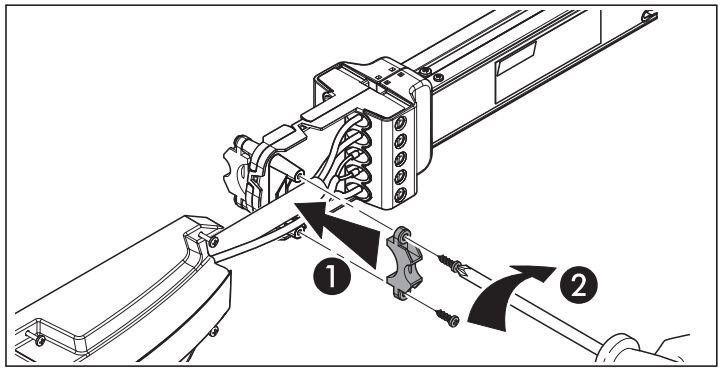
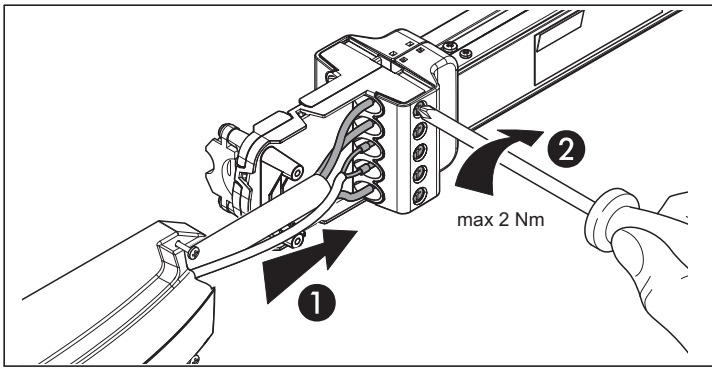


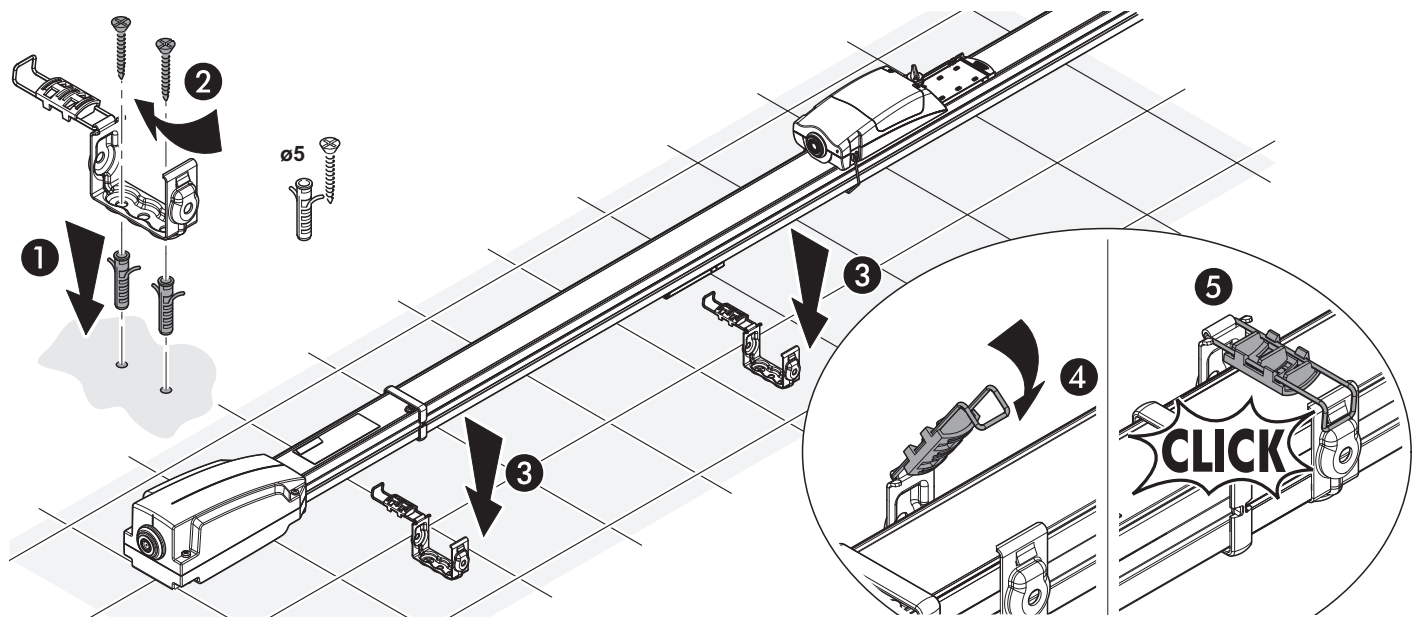
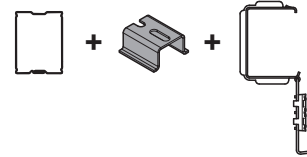
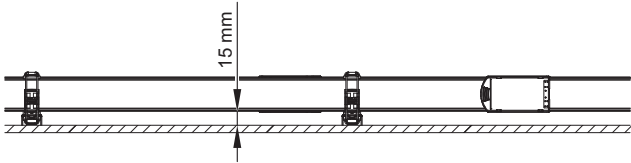
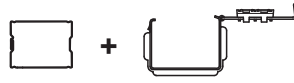
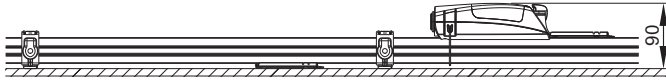
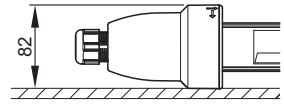
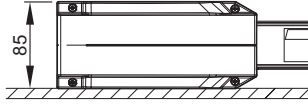
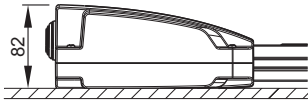
75161001D



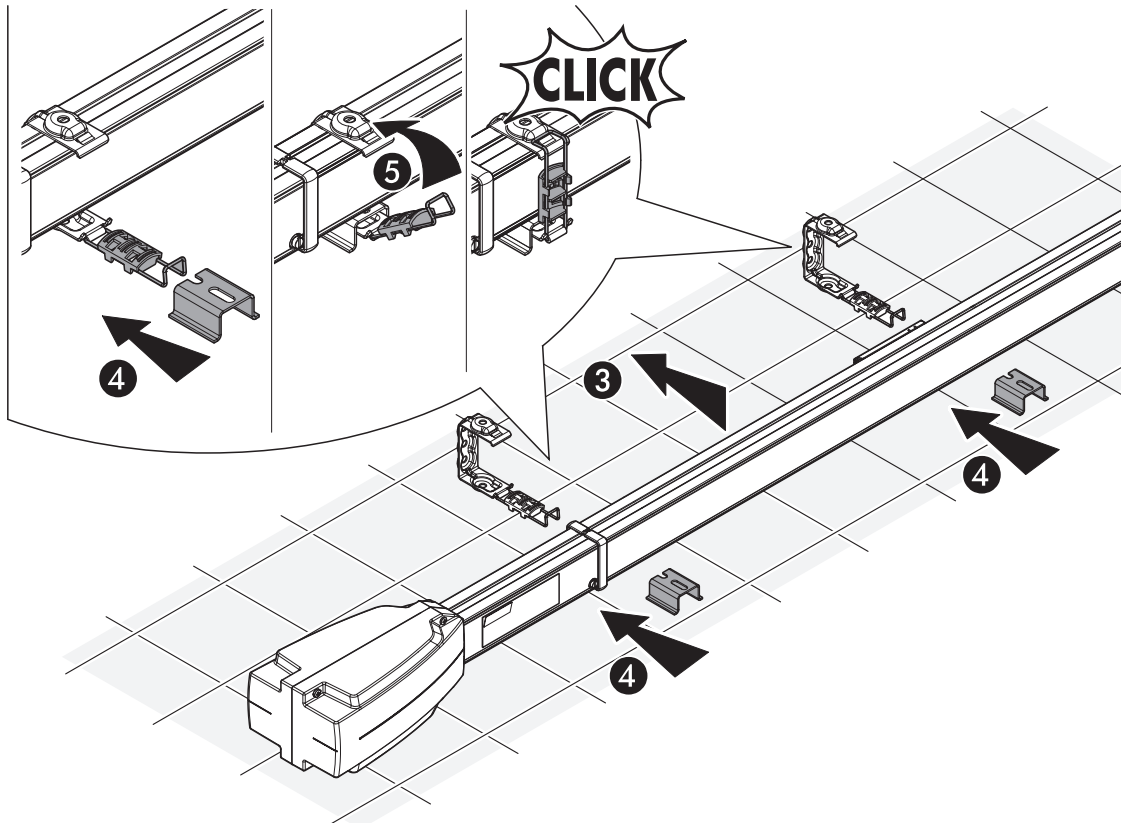
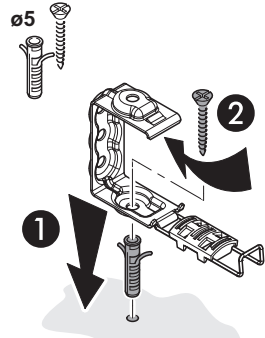
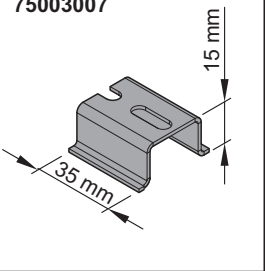


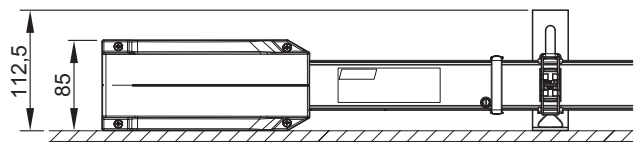
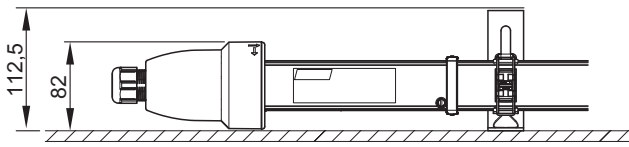




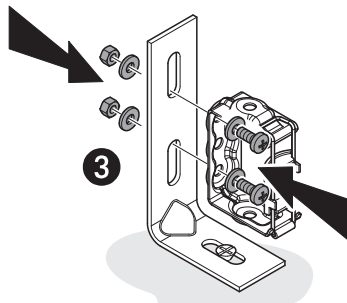
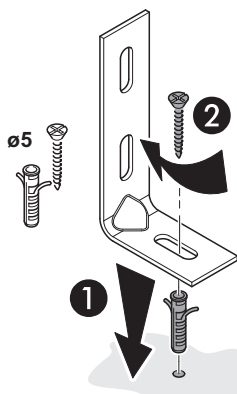


75003007

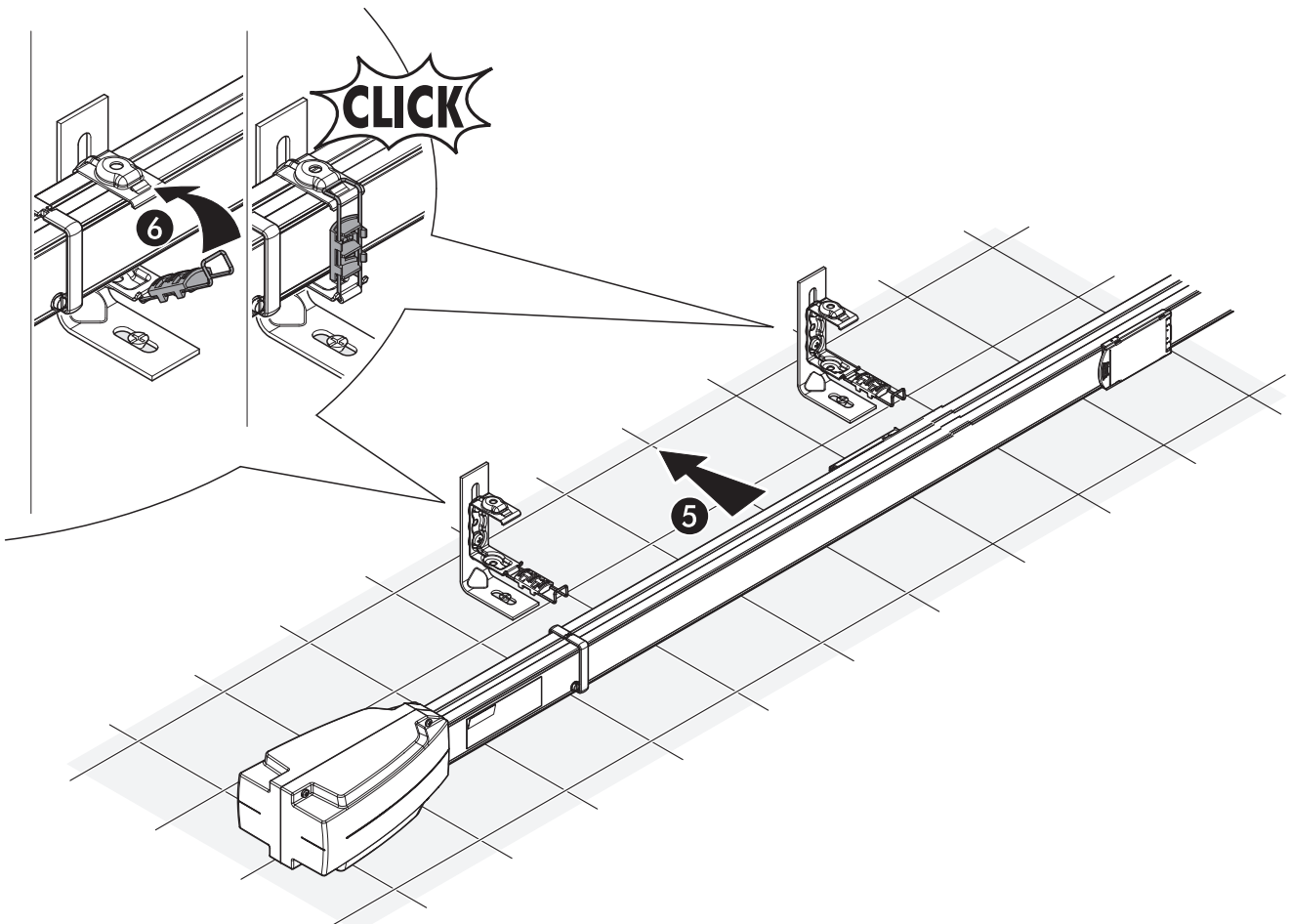
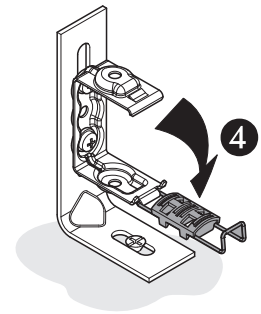




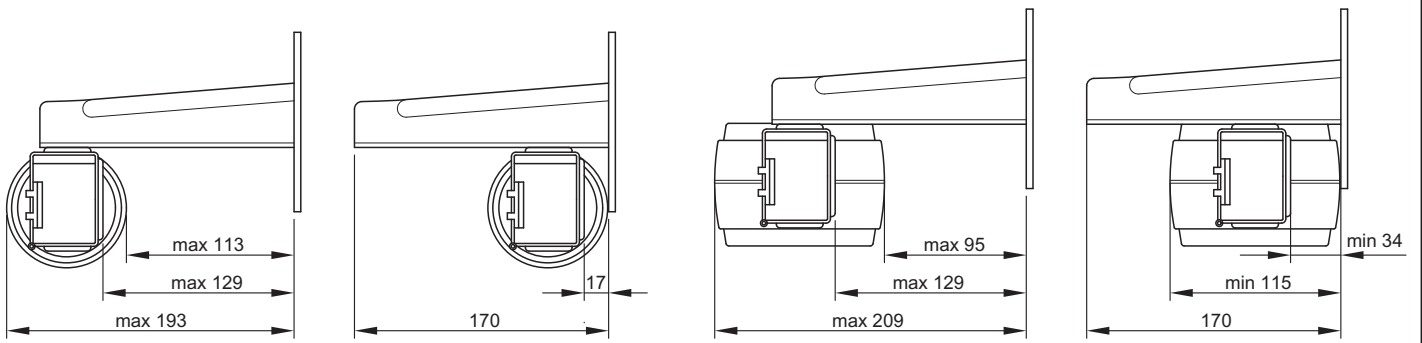
CABLOFIL 557300



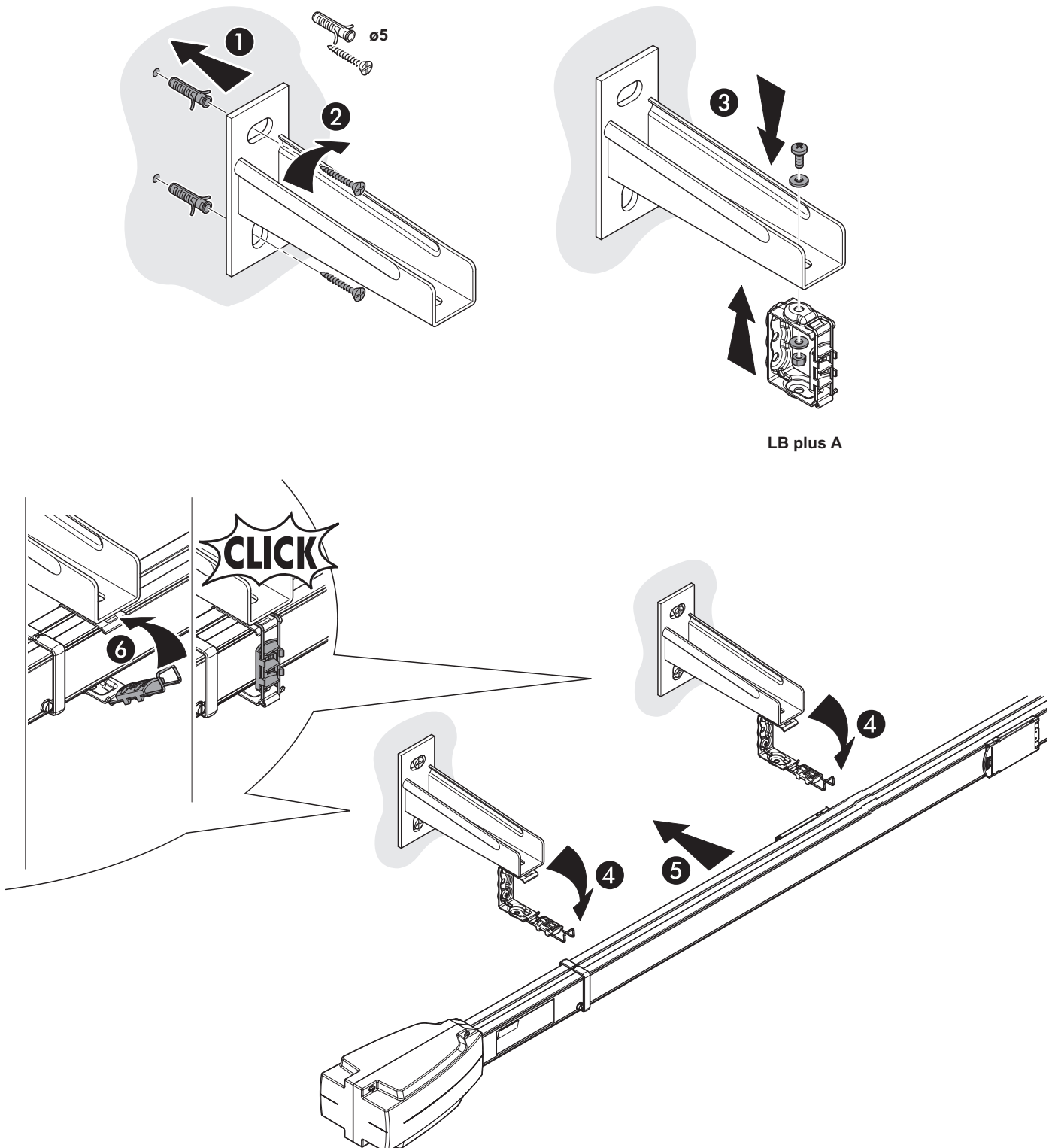
LB plus A



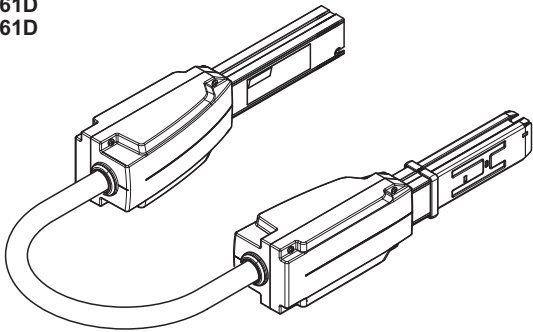
25A - 40A - 63A



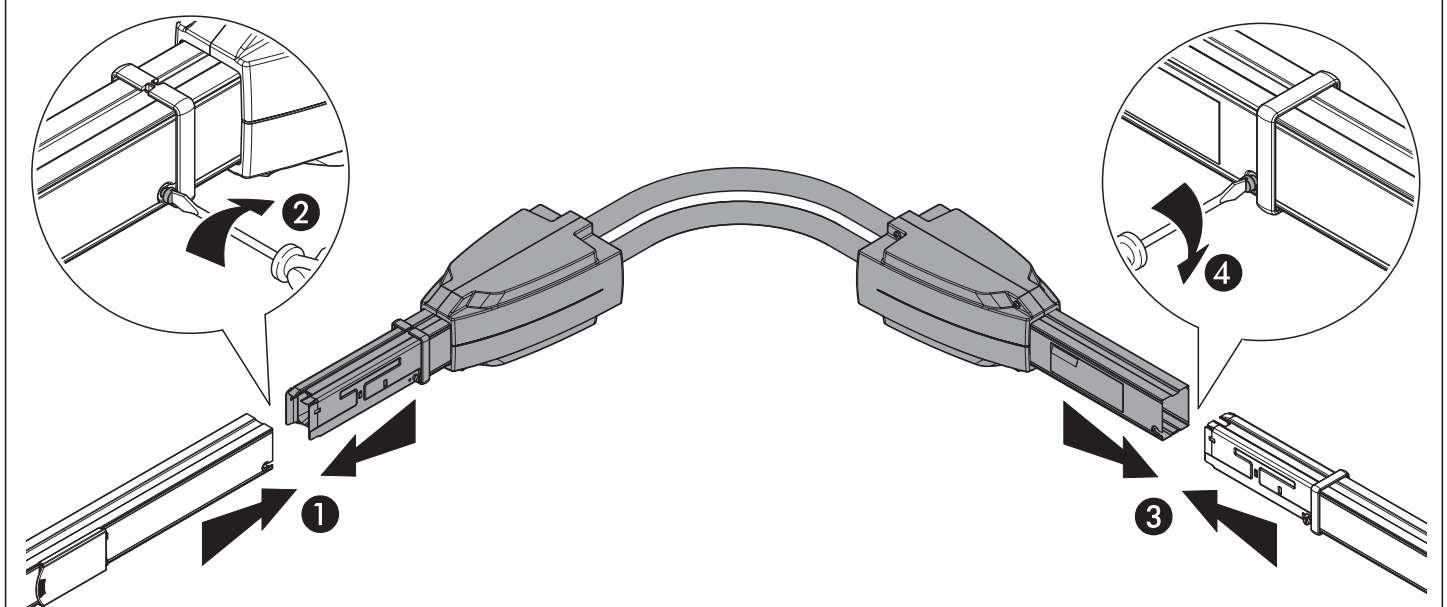
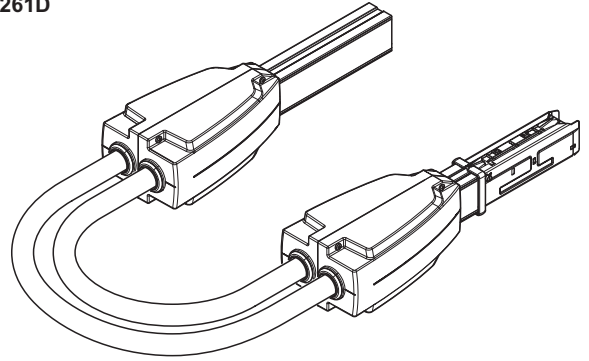
LEGRAND 03M150407



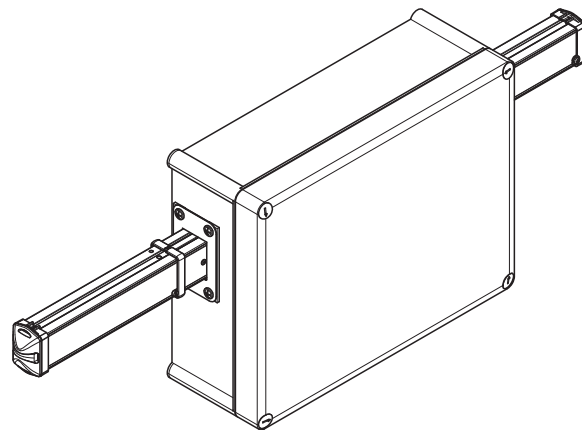
75201261D
75241261D



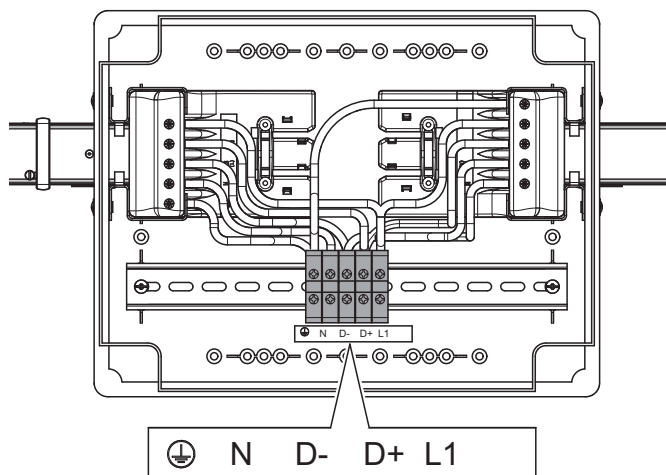
75221261D



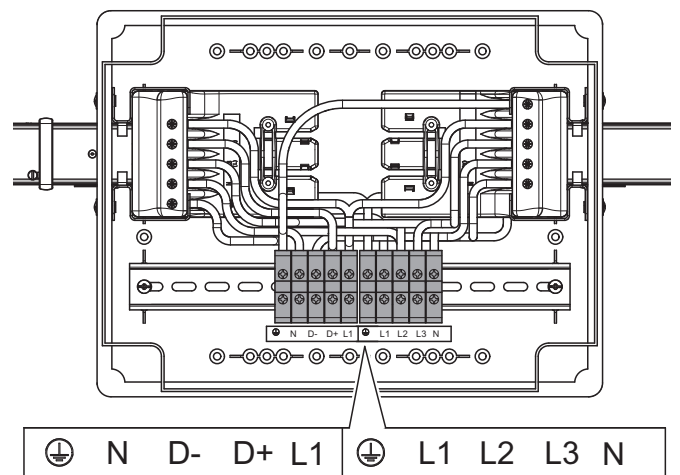
75201151D
75221151D
75241151D



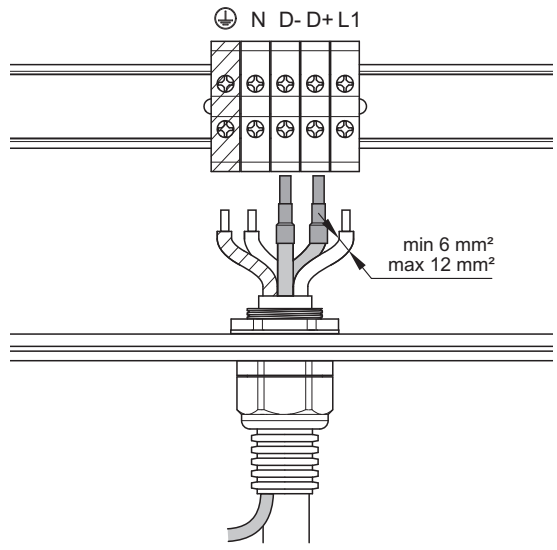
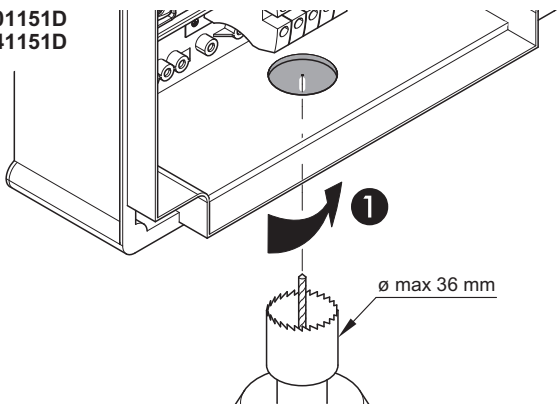
75201151D
75241151D



75221151D



75201151D
75241151D



75221151D

