

1SNK705961R0000 ✓ ACTIVE

ENTRELEC | ENTRELEC SNK

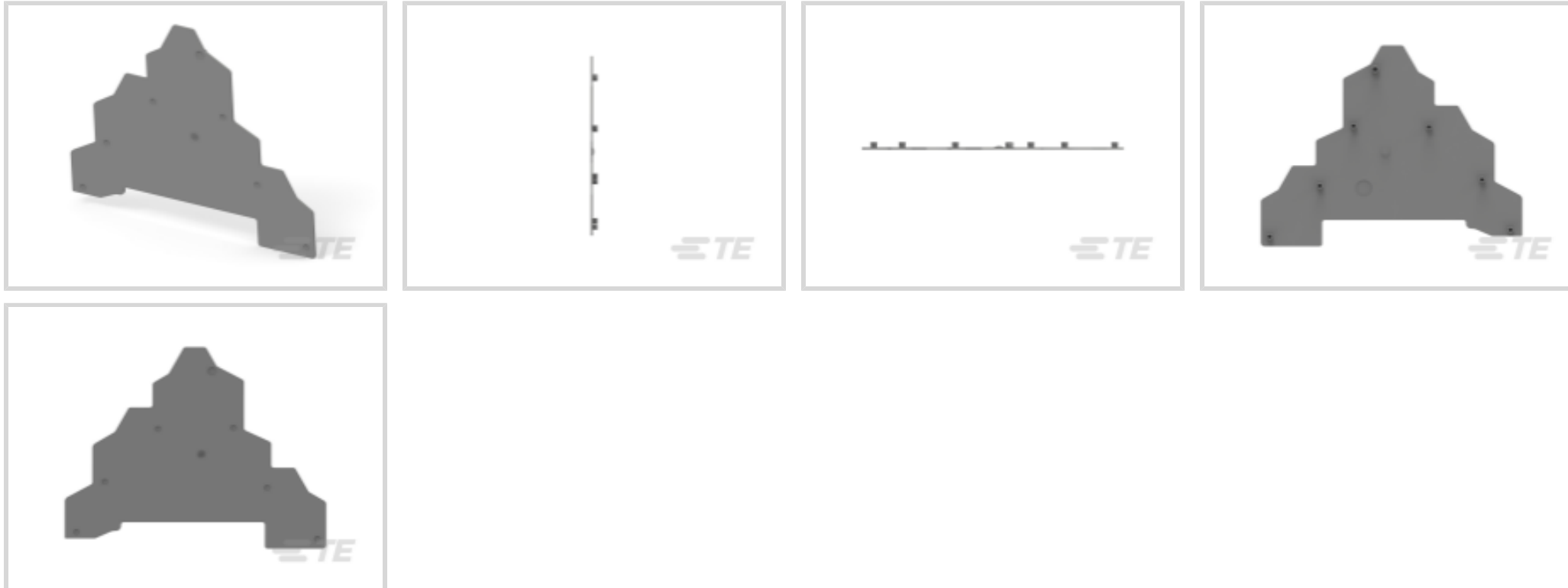
TE Internal #: 1SNK705961R0000

Terminal Block & Strip Insulating Accessories, End Section Cover,  
Used With PI-Spring Terminal Blocks, -67 – 230 °F [-55 – 110 °C],  
ENTRELEC SNK

[View on TE.com >](#)



Connectors > Terminal Blocks & Strips > Terminal Block & Strip Accessories > Terminal Block & Strip Insulating Accessories



Insulating Accessory Type: **End Section Cover**

Compatible With Block or Strip Type: **PI-Spring Terminal Blocks**

Operating Temperature Range: **-55 – 110 °C [-67 – 230 °F]**

## Features

### Product Type Features

Insulating Accessory Type	End Section Cover
---------------------------	-------------------

### Body Features

Plastic & Resin Material Type	Polyamide
Product Weight	4.76 g[.168 oz]
Primary Product Color	Dark Gray

### Dimensions

Product Spacing	.8 mm[.031 in]
Product Depth	75.6 mm[2.976 in]
Product Height	98.4 mm[3.874 in]

### Usage Conditions

Storage Temperature Range	-55 – 110 °C[-67 – 230 °F]
Installation Temperature Range	-5 – 40 °C[23 – 104 °F]
Operating Temperature Range	-55 – 110 °C[-67 – 230 °F]

### Operation/Application

Compatible With Block or Strip Type	PI-Spring Terminal Blocks
-------------------------------------	---------------------------



### Industry Standards

IP Rating	IP20
UL Flammability Rating	UL 94V-0

### Product Compliance

[For compliance documentation, visit the product page on TE.com>](#)

EU RoHS Directive 2011/65/EU	Compliant
EU ELV Directive 2000/53/EC	Compliant
China RoHS 2 Directive MIIT Order No 32, 2016	No Restricted Materials Above Threshold
EU REACH Regulation (EC) No. 1907/2006	Current ECHA Candidate List: JUNE 2022 (224) Candidate List Declared Against: JUNE 2022 (224) Does not contain REACH SVHC
Halogen Content	Low Halogen - Br, Cl, F, I < 900 ppm per homogenous material. Also BFR/CFR/PVC Free
Solder Process Capability	Not reviewed for solder process capability

#### Product Compliance Disclaimer

This information is provided based on reasonable inquiry of our suppliers and represents our current actual knowledge based on the information they provided. This information is subject to change. The part numbers that TE has identified as EU RoHS compliant have a maximum concentration of 0.1% by weight in homogenous materials for lead, hexavalent chromium, mercury, PBB, PBDE, DBP, BBP, DEHP, DIBP, and 0.01% for cadmium, or qualify for an exemption to these limits as defined in the Annexes of Directive 2011/65/EU (RoHS2). Finished electrical and electronic equipment products will be CE marked as required by Directive 2011/65/EU. Components may not be CE marked. Additionally, the part numbers that TE has identified as EU ELV compliant have a maximum concentration of 0.1% by weight in homogenous materials for lead, hexavalent chromium, and mercury, and 0.01% for cadmium, or qualify for an exemption to these limits as defined in the Annexes of Directive 2000/53/EC (ELV). Regarding the REACH Regulation, the information TE provides on SVHC in articles for this part number is based on the latest European Chemicals Agency (ECHA) 'Guidance on requirements for substances in articles' posted at this URL: <https://echa.europa.eu/guidance-documents/guidance-on-reach>

### Compatible Parts

<p>TE Part # 1SNK705512R0000 ZK2.5-L-L-PE</p>	<p>TE Part # 1SNK705510R0000 ZK2.5-T3</p>	<p>TE Part # 1SNK705511R0000 ZK2.5-T1</p>	<p>TE Part # 1SNK705513R0000 ZK2.5-L-N-PE</p>
---	---	---	---



TE Part # 1SNK705550R0000  
ZK2.5-T1-PE

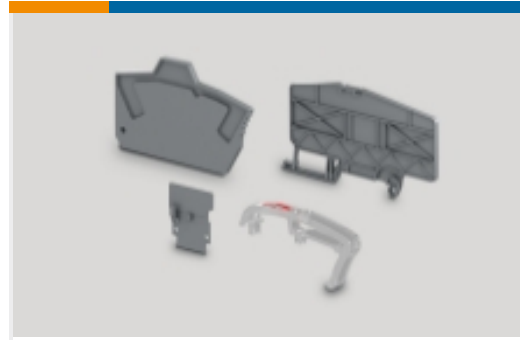
## Also in the Series | ENTRELEC SNK



Modular Terminal Blocks(318)



Terminal Block & Strip Conducting Accessories(67)



Terminal Block & Strip Insulating Accessories(30)

## Customers Also Bought



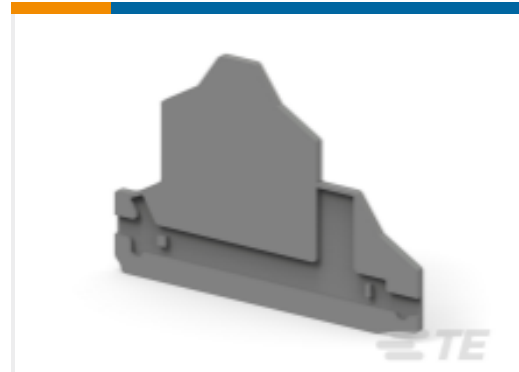
TE Part #1SNK705010R0000  
ZK2.5



TE Part #1SNK705210R0000  
ZK2.5-D2



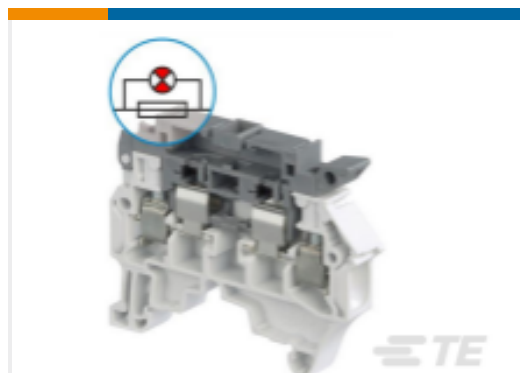
TE Part #1SNK705910R0000  
EK2.5



TE Part #1SNK705960R0000  
EK2.5-D2



TE Part #1SNK900102R0000  
BAZH1



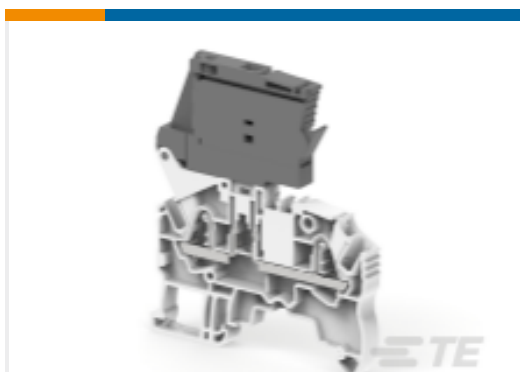
TE Part #1SNK508412R0000  
ZS4-SF1-R1



TE Part #1SNK706010R0000  
ZK4



TE Part #1SNK706150R0000  
ZK4-PE



TE Part #1SNK706410R0000  
ZK2.5-SF



TE Part #1SNK710010R0000  
ZK10



## Documents

### CAD Files

#### 3D PDF

3D

#### Customer View Model

[ENG\\_CVM\\_CVM\\_1SNK705961R0000\\_B1.2d\\_dxf.zip](#)

English

#### Customer View Model

[ENG\\_CVM\\_CVM\\_1SNK705961R0000\\_B1.3d\\_igs.zip](#)

English

#### Customer View Model

[ENG\\_CVM\\_CVM\\_1SNK705961R0000\\_B1.3d\\_stp.zip](#)

English

By downloading the CAD file I accept and agree to the [Terms and Conditions](#) of use.

### Datasheets & Catalog Pages

[ENTRELEC Terminal Block - Master Catalog](#)

English

[EK2.5-T3](#)

English

[SNK SERIES TERMINAL BLOCKS](#)

English

[Essential Entrelec Terminal Blocks](#)

French

[Essential Entrelec Terminal Blocks](#)

English