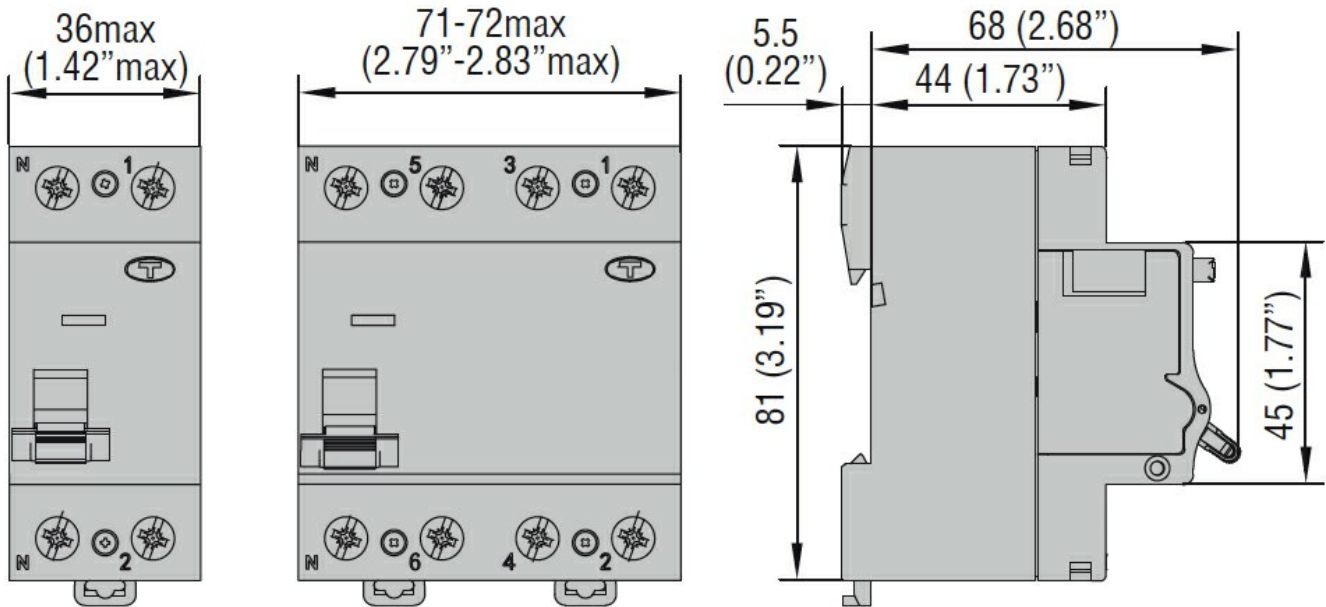
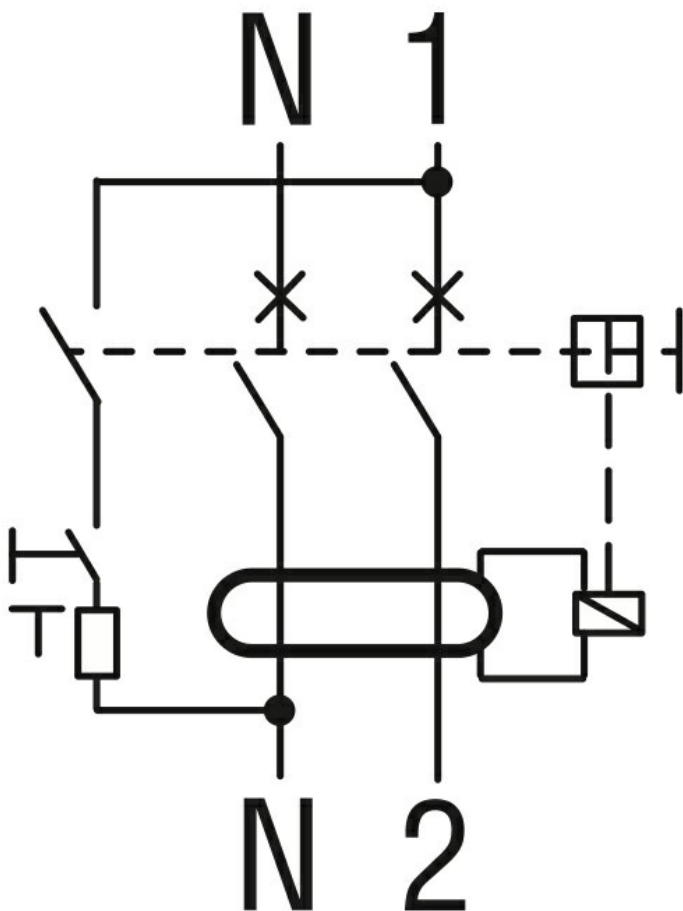




Product designation	Residual current circuit breakers (RCCB)			
Product type designation	P1RD			
Number of poles	2P			
Number of DIN modules	2			
Compliance	IEC			
<b>Electrical features</b>				
Rated insulation voltage $U_i$ IEC/EN	V	400		
Rated impulse withstand voltage $U_{imp}$	kV	4		
Rated operational voltage AC (IEC)	VAC	230		
Rated frequency	Hz	50/60		
Rated current ( $I_n$ )	A	25		
Residual operation characteristic	AC			
Rated residual current	mA	30		
Short circuit rating (IEC)	kA	10		
Electrical life	cycles	10000		
<b>Ambient conditions</b>				
Operating temperature	min	°C	-35	
	max	°C	+70	
Storage temperature	min	°C	-40	
	max	°C	+80	
Max altitude	m	2000		
<b>Mechanical features</b>				
Operating position	normal		Vertical plan	
			35mm DIN rail	
Fixing	35mm DIN rail			
Tightening torque for terminals	max	Nm	2	
	max	lbin	15	
Terminals tool	Pz 2			
Conductor section	IEC	min	mm <sup>2</sup>	2.5
		max	mm <sup>2</sup>	35
	AWG/Kcmil	min	14	
		max	2	
Mechanical life	cycles	20000		
Weight	g	185		
Frontal IP degree	IP20			
Pollution degree	2			
<b>Dimensions</b>				



**Wiring diagrams**



**Certifications and compliance**

Compliance

IEC/EN/BS 61008-1

---

Certifications

EAC  
TÜV-SUD

---

ETIM classification

ETIM 8.0

EC000003 -  
Residual current  
circuit breaker  
(RCCB)