

Fiche produit

Article n° Z5.504.6019.0

Passage de câble pour vis PG 7 VA 6 3,0- 6,5



Article n°	Z5.504.6019.0
EAN	4049088386428
Unité de commande	10 Piece(s)

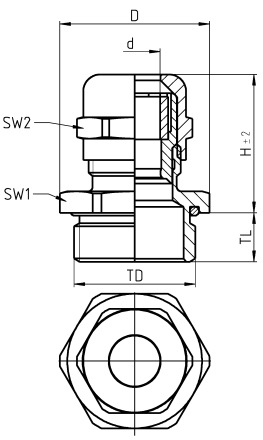



certificats/approbations

Données techniques

**général**

longueur du filetage	6 mm
diamètre Min. du câble	3 mm
diamètre Max. du câble	6,5 mm
Degré de protection (IP)	IP68
matériel	acier inoxydable V2A
Couleur	Autre
Résistant aux chocs	Oui
Protection du rayon de courbure / manchon d'arrondi	Aucun
Support de traversé avec serre-câble	Aucun
Type de scellement	anneau caoutchouc-/neoprene
presse étoupe détachable	Aucun
Zone multi-joint	Aucun
Type de filetage	Métrique
Sans halogène	Oui
classe d'inflammabilité des matériaux d'isolation selon la norme UL94	Autre

**Dessin technique**

<p>A</p> <p>B</p> <p>C</p> <p>D</p> <p>E</p> <p>F</p>		<table border="1" style="width:100%; border-collapse: collapse;"> <thead> <tr> <th>Wieland Teilenummer part number</th> <th>Gewinde Verschraubung thread type of fitting</th> <th>Gewinde Schraubkappe thread type of cap</th> <th>Klemmbereich clamping range Ø min-max mm</th> <th>Gewinde-Ø thread-Ø TD mm</th> <th>Gewindelänge thread length TL mm</th> <th>Höhe ohne Gewinde height without thread H mm</th> <th>Verschraubung fitting SW1 mm</th> <th>Schraubkappe cap SW2 mm</th> <th>Außen-Ø outer-Ø D mm max.</th> <th>Innen-Ø inner-Ø D mm min.</th> </tr> </thead> <tbody> <tr><td>Z5.504.6019.0</td><td>PG7</td><td>PG7</td><td>3,0-6,5</td><td>12,5</td><td>6</td><td>22</td><td>14</td><td>14</td><td>15,5</td><td>Ø10,4</td></tr> <tr><td>Z5.504.6119.0</td><td>PG9</td><td>PG9</td><td>4,0-8,0</td><td>15,2</td><td>6</td><td>22,7</td><td>19</td><td>17</td><td>21</td><td>Ø12,4</td></tr> <tr><td>Z5.504.6219.0</td><td>PG11</td><td>PG11</td><td>5,0-10,0</td><td>18,6</td><td>6</td><td>25,5</td><td>22</td><td>22</td><td>24</td><td>Ø14,4</td></tr> <tr><td>Z5.504.6319.0</td><td>PG13,5</td><td>PG13,5</td><td>6,0-12,0</td><td>20,4</td><td>6,5</td><td>24</td><td>22</td><td>22</td><td>24,5</td><td>Ø12,4</td></tr> <tr><td>Z5.504.6419.0</td><td>PG16</td><td>PG16</td><td>10,0-14,0</td><td>22,5</td><td>6,5</td><td>28</td><td>24</td><td>24</td><td>26,5</td><td>Ø14,4</td></tr> <tr><td>Z5.504.6519.0</td><td>PG21</td><td>PG21</td><td>13,0-18,0</td><td>28,3</td><td>7,2</td><td>32</td><td>30</td><td>30</td><td>33</td><td>Ø18,4</td></tr> <tr><td>Z5.504.6619.0</td><td>PG29</td><td>PG29</td><td>18,0-25,0</td><td>37</td><td>8</td><td>37</td><td>4,1</td><td>4,1</td><td>45,5</td><td>Ø25,5</td></tr> <tr><td>Z5.504.6719.0</td><td>PG36</td><td>PG36</td><td>22,0-32,0</td><td>47</td><td>9</td><td>47,5</td><td>50</td><td>50</td><td>55,5</td><td>Ø32,5</td></tr> </tbody> </table> <table border="1" style="width:100%; border-collapse: collapse;"> <tr><td>nach/according to</td><td>DIN EN 62444 / VDE 0619</td></tr> <tr><td>Gewinde gemäß/thread according to</td><td>DIN 40430</td></tr> <tr><td>Material Verschraubung/material fitting</td><td>AISI 303 / PA 6 UL94-V2</td></tr> <tr><td>Material Verschraubungsdichtung/material seal of fitting</td><td>CR</td></tr> <tr><td>Material O-Ring/material O-ring</td><td>NBR</td></tr> <tr><td>Schutzklasse nach/protection class according to</td><td>DIN EN 60529 IP 66-68</td></tr> </table> <p style="text-align: center;">frei von lackbenetzungsfördernden Substanzen (Silikonfrei)/ free from substances that prevent paint adhesion (silicon free)</p> <p style="text-align: center;">Weitere Daten siehe KATALOG oder eKatalog <a href="http://www.wieland-electric.com">www.wieland-electric.com</a> additional data see CATALOG or eKATALOG <a href="http://eshop.wieland-electric.com">eshop.wieland-electric.com</a></p> <table border="1" style="width:100%; border-collapse: collapse;"> <tr> <td colspan="2">Toleranzsystem Size ISO 14405 (M) / Tolerance system Size ISO 14405 (M)</td> <td colspan="2">jstyes <input checked="" type="checkbox"/> Stoffverbot und Deklarationsliste nach WN 5000 010 ist anzuhalten (This ISO-standard describes the envelope principle. According to the envelope principle, conformity with Wieland document WN 5000 010 is mandatory / prohibit the deviations of form and position are limited by the size tolerances)</td> </tr> <tr> <td>Freitoleranz nach General tolerance</td> <td>ISO - Zeichnung, keine manuellen Änderungen ISO - drawing, no manual modifications allowed</td> <td>Verwendung first use</td> <td>Blatt: Sheet: 1 von 1</td> </tr> <tr> <td>Werkstoff / Material</td> <td>Tag/Date</td> <td>Name</td> <td>Zeichnung Nr. / Drawing No.</td> </tr> <tr> <td>2.1</td> <td>10.05.2010</td> <td>Butterhof</td> <td>T Z5.504.6019.0 13K</td> </tr> <tr> <td>Maße in mm / Dimensions are in mm</td> <td colspan="3"></td> </tr> <tr> <td colspan="2" style="text-align: center;"></td> <td colspan="2" style="text-align: center;"><b>KABELVERSCHRAUBUNG</b></td> </tr> <tr> <td colspan="2"></td> <td colspan="2" style="text-align: center;">PG, Edelstahl PG, stainless steel</td> </tr> </table>	Wieland Teilenummer part number	Gewinde Verschraubung thread type of fitting	Gewinde Schraubkappe thread type of cap	Klemmbereich clamping range Ø min-max mm	Gewinde-Ø thread-Ø TD mm	Gewindelänge thread length TL mm	Höhe ohne Gewinde height without thread H mm	Verschraubung fitting SW1 mm	Schraubkappe cap SW2 mm	Außen-Ø outer-Ø D mm max.	Innen-Ø inner-Ø D mm min.	Z5.504.6019.0	PG7	PG7	3,0-6,5	12,5	6	22	14	14	15,5	Ø10,4	Z5.504.6119.0	PG9	PG9	4,0-8,0	15,2	6	22,7	19	17	21	Ø12,4	Z5.504.6219.0	PG11	PG11	5,0-10,0	18,6	6	25,5	22	22	24	Ø14,4	Z5.504.6319.0	PG13,5	PG13,5	6,0-12,0	20,4	6,5	24	22	22	24,5	Ø12,4	Z5.504.6419.0	PG16	PG16	10,0-14,0	22,5	6,5	28	24	24	26,5	Ø14,4	Z5.504.6519.0	PG21	PG21	13,0-18,0	28,3	7,2	32	30	30	33	Ø18,4	Z5.504.6619.0	PG29	PG29	18,0-25,0	37	8	37	4,1	4,1	45,5	Ø25,5	Z5.504.6719.0	PG36	PG36	22,0-32,0	47	9	47,5	50	50	55,5	Ø32,5	nach/according to	DIN EN 62444 / VDE 0619	Gewinde gemäß/thread according to	DIN 40430	Material Verschraubung/material fitting	AISI 303 / PA 6 UL94-V2	Material Verschraubungsdichtung/material seal of fitting	CR	Material O-Ring/material O-ring	NBR	Schutzklasse nach/protection class according to	DIN EN 60529 IP 66-68	Toleranzsystem Size ISO 14405 (M) / Tolerance system Size ISO 14405 (M)		jstyes <input checked="" type="checkbox"/> Stoffverbot und Deklarationsliste nach WN 5000 010 ist anzuhalten (This ISO-standard describes the envelope principle. According to the envelope principle, conformity with Wieland document WN 5000 010 is mandatory / prohibit the deviations of form and position are limited by the size tolerances)		Freitoleranz nach General tolerance	ISO - Zeichnung, keine manuellen Änderungen ISO - drawing, no manual modifications allowed	Verwendung first use	Blatt: Sheet: 1 von 1	Werkstoff / Material	Tag/Date	Name	Zeichnung Nr. / Drawing No.	2.1	10.05.2010	Butterhof	T Z5.504.6019.0 13K	Maße in mm / Dimensions are in mm						<b>KABELVERSCHRAUBUNG</b>				PG, Edelstahl PG, stainless steel	
Wieland Teilenummer part number	Gewinde Verschraubung thread type of fitting	Gewinde Schraubkappe thread type of cap	Klemmbereich clamping range Ø min-max mm	Gewinde-Ø thread-Ø TD mm	Gewindelänge thread length TL mm	Höhe ohne Gewinde height without thread H mm	Verschraubung fitting SW1 mm	Schraubkappe cap SW2 mm	Außen-Ø outer-Ø D mm max.	Innen-Ø inner-Ø D mm min.																																																																																																																																			
Z5.504.6019.0	PG7	PG7	3,0-6,5	12,5	6	22	14	14	15,5	Ø10,4																																																																																																																																			
Z5.504.6119.0	PG9	PG9	4,0-8,0	15,2	6	22,7	19	17	21	Ø12,4																																																																																																																																			
Z5.504.6219.0	PG11	PG11	5,0-10,0	18,6	6	25,5	22	22	24	Ø14,4																																																																																																																																			
Z5.504.6319.0	PG13,5	PG13,5	6,0-12,0	20,4	6,5	24	22	22	24,5	Ø12,4																																																																																																																																			
Z5.504.6419.0	PG16	PG16	10,0-14,0	22,5	6,5	28	24	24	26,5	Ø14,4																																																																																																																																			
Z5.504.6519.0	PG21	PG21	13,0-18,0	28,3	7,2	32	30	30	33	Ø18,4																																																																																																																																			
Z5.504.6619.0	PG29	PG29	18,0-25,0	37	8	37	4,1	4,1	45,5	Ø25,5																																																																																																																																			
Z5.504.6719.0	PG36	PG36	22,0-32,0	47	9	47,5	50	50	55,5	Ø32,5																																																																																																																																			
nach/according to	DIN EN 62444 / VDE 0619																																																																																																																																												
Gewinde gemäß/thread according to	DIN 40430																																																																																																																																												
Material Verschraubung/material fitting	AISI 303 / PA 6 UL94-V2																																																																																																																																												
Material Verschraubungsdichtung/material seal of fitting	CR																																																																																																																																												
Material O-Ring/material O-ring	NBR																																																																																																																																												
Schutzklasse nach/protection class according to	DIN EN 60529 IP 66-68																																																																																																																																												
Toleranzsystem Size ISO 14405 (M) / Tolerance system Size ISO 14405 (M)		jstyes <input checked="" type="checkbox"/> Stoffverbot und Deklarationsliste nach WN 5000 010 ist anzuhalten (This ISO-standard describes the envelope principle. According to the envelope principle, conformity with Wieland document WN 5000 010 is mandatory / prohibit the deviations of form and position are limited by the size tolerances)																																																																																																																																											
Freitoleranz nach General tolerance	ISO - Zeichnung, keine manuellen Änderungen ISO - drawing, no manual modifications allowed	Verwendung first use	Blatt: Sheet: 1 von 1																																																																																																																																										
Werkstoff / Material	Tag/Date	Name	Zeichnung Nr. / Drawing No.																																																																																																																																										
2.1	10.05.2010	Butterhof	T Z5.504.6019.0 13K																																																																																																																																										
Maße in mm / Dimensions are in mm																																																																																																																																													
		<b>KABELVERSCHRAUBUNG</b>																																																																																																																																											
		PG, Edelstahl PG, stainless steel																																																																																																																																											