

THIS COPY IS PROVIDED ON A RESTRICTED BASIS AND IS NOT TO BE USED IN ANY WAY DETRIMENTAL TO THE INTERESTS OF PANDUIT CORP.

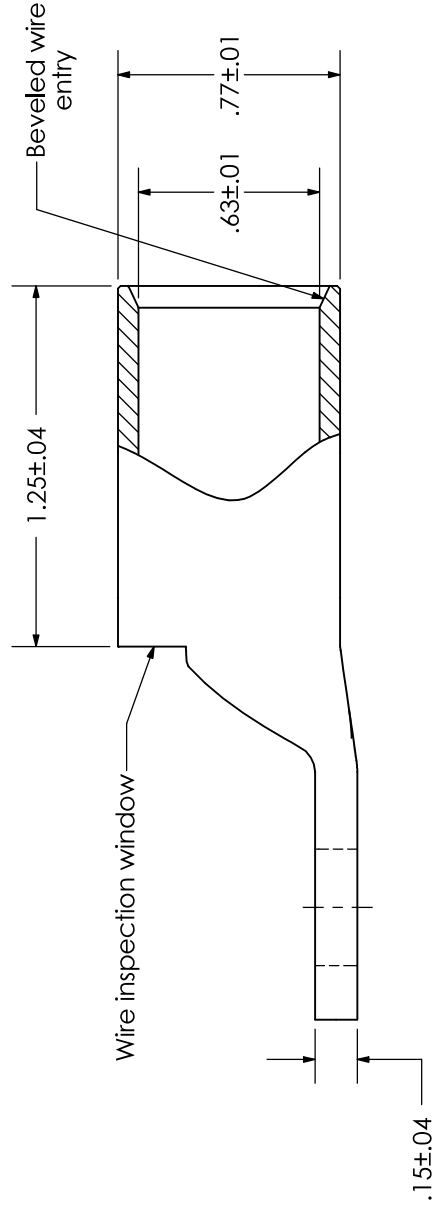
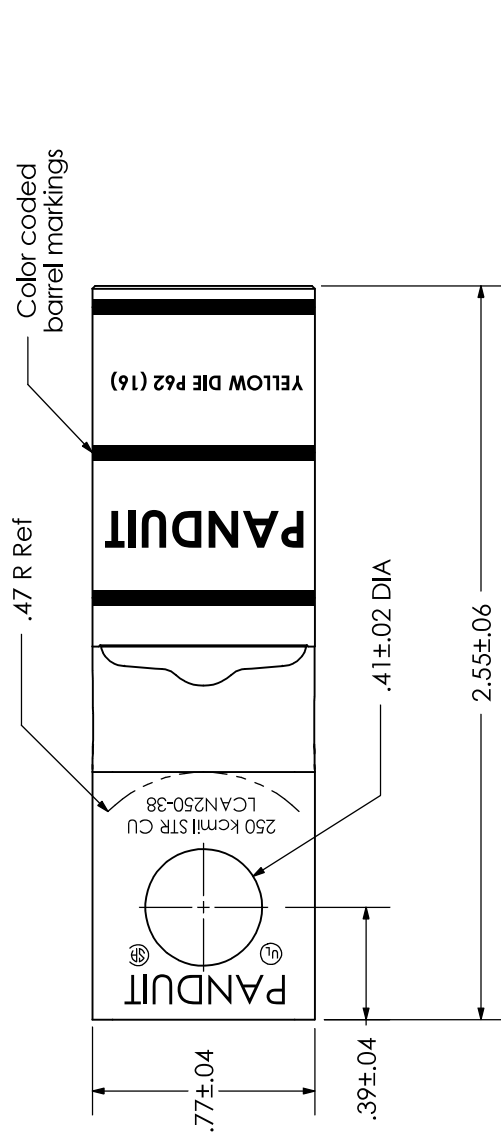
Material	High Conductivity Seamless Copper Tube
Plating	Electro-Tin
Wire Size	250 kcmil
Wire Type	Stranded Copper; Class B: Compact, Compressed or Concentric, Class C: Concentric
Wire Strip Length	1-5/16 in.
Stud Size	3/8 in.
UL Listed Wire Connector	Yes, for applications up to 35kv. Consult cable manufacturer for voltage stress relief instructions with applications greater than 2000 volts.
UL Temperature Rating	90 ° C
C.S.A Certified Wire Connector	Yes
Panduit Color Code on Barrel	YELLOW
Panduit Die Index No. on Barrel	P62
Alternate Industry Die Index No. () on Barrel	(16)



LISTED
Wire Connector



CERTIFIED



PANDUIT CORP. TINLEY PARK, ILLINOIS	
LCAN250-38-X	
Copper Lug - One-Hole, Narrow Tongue, Standard Barrel	
REV	DATE
01	11/08
BY	DRL
CHK	DRL
DESCRIPTION	TONGUE THICKNESS WAS .14±.01
ECN	
SCALE	N/A
DRAWING NO / CAD FILE	LCAN250-38-CUST